



A TEREX BRAND

# *Parts Manual*

Serial Number Range

**Z-51/30J**

from serial number  
Z513007B-101 to  
Z513014B-1200

Part No. 147023

Rev B18

January 2018

---

## Technical Publications

Genie has endeavored to deliver the highest degree of accuracy possible. However, continuous improvement of our products is a Genie policy. Therefore, product specifications are subject to change without notice.

Readers are encouraged to notify Genie of errors and send in suggestions for improvement. All communications will be carefully considered for future printings of this and all other manuals.

---

## Contact Us:

Internet: [www.genielift.com](http://www.genielift.com)  
e-mail: [awp.techpub@terex.com](mailto:awp.techpub@terex.com)

---

## Find a Manual for this Model

Go to <http://www.genielift.com>

Use the links to locate Operator's, Parts, Maintenance, and Service and Repair Manuals.

---

Copyright © 2009 by Genie Industries

147023 Rev B October 2013  
Second Edition, Second Printing

"Genie" and "Z" are registered trademarks of Genie Industries in the USA and many other countries.

 Printed on recycled paper

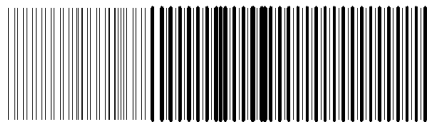


**Model:** Z-51/30J  
**Serial number:** Z513008B-12345  
**Model year:** 2008 **Manufacture date:** 04/12/08  
**Electrical schematic number:** E0384  
**Machine unladen weight:** 15,882 lbs / 7,204 kg

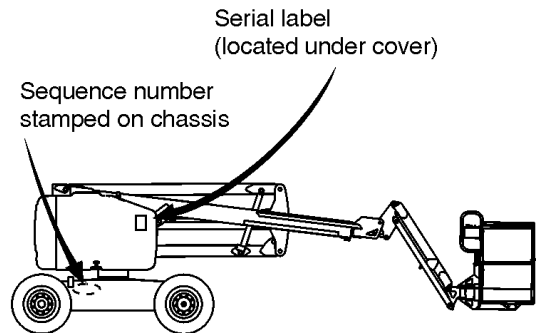
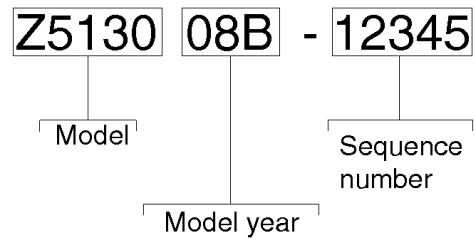
**Rated work load (including occupants):** 500 lb / 227 kg  
**Maximum number of platform occupants:** 2  
**Maximum allowable side force :** 900 lb / 400 N  
**Maximum allowable inclination of the chassis:**  
4.5°

**Maximum wind speed :** 28 mph / 12.5 m/s  
**Maximum platform height :** 51 ft 3 in / 15.6 m  
**Maximum platform reach :** 30 ft 4 in / 9.2 m  
**Gradeability:** 45%  
**Nominal Power:** 48 hp / 61 kW  
**Country of manufacture:** USA  
**This machine complies with:**  
EN 280:2001

**Genie Industries**  
**18340 NE 76th Street**  
**Redmond, WA 98052**  
**USA**



77777777



## Table of Contents

This manual is updated frequently. If you have a printed manual, you can keep it up to date by downloading new figures from the Genie website at [www.genielift.com](http://www.genielift.com). For the most up-to-date parts information, visit the Parts Lookup System on the Genie website at [www.genielift.com](http://www.genielift.com).

How to Read Your Serial Number.....	3
Parts Stocking List.....	7
How to Order Parts.....	8
Service Parts Fax Order Form.....	9

**Electronic Version**

Click on any page number to view the figure.

**100 Decals**

101.1 Decals with Words.....	10
102.1 Decals with Symbols.....	12

**200 Drive Chassis Components**

201.1 Wheels, Yokes and Drive Motor, Steer End (to SN Z513012B-705).....	14
201.2 Wheels, Yokes and Drive Motor, Steer End (from SN Z513012B-706).....	16
202.1 Steer Axle Linkage.....	18
203.1 Non-steer End Wheels and Hubs (to SN Z513012B-705).....	20
203.2 Non-steer End Wheels and Hubs (from SN Z513012B-706).....	22
204.1 Non-steer Axle.....	24
205.1 Oscillate Valve (to SN Z513012B-772).....	26
205.2 Oscillate Valve (from SN Z513012B-773).....	28
206.1 Drive Chassis - Counterweight.....	30

**300 Turntable Components**

301.1 Turntable Rotator.....	32
302.1 Fuel and Hydraulic Tanks.....	34
303.1 Function Manifold and Ground Control Box Placement.....	36
304.1 Ground Control Box - View 1.....	38
305.1 Ground Control Box - View 2.....	42
306.1 Turntable Covers, Engine Side.....	44
307.1 Turntable Covers, Tank Side.....	46
308.1 Wire Harness Diagram.....	48

**400 Engine Components**

401.1 Deutz F3L 2011/ D2011L03i Engine - View 1.....	50
--	----

402.1 Deutz F3L 2011/ D2011L03i Engine - View 2.....	52
403.1 Engine Tray and Battery.....	56

**500 Boom Components**

501.1 Boom Pins and Bearings.....	58
502.1 Boom Linkage.....	60
503.1 Upper Pivot Components.....	62
504.1 Primary and Extension Booms (to SN Z513011B-666).....	64
504.2 Primary and Extension Booms (from SN Z513011B-667).....	66
505.1 Cable Track (to SN Z513011B-666).....	68
505.2 Cable Track (from SN Z513011B-667).....	70
506.1 Jib Boom and Platform Leveling (to SN Z513008B-451).....	72
506.2 Jib Boom and Platform Leveling (from SN Z513008B-452).....	74
507.1 Platform Rotation and Support.....	76
508.1 Platform Overload.....	78
509.1 Jib Service Kit Detail (to SN Z513008B-451).....	80

**600 Platforms**

601.1 Platform Components.....	82
602.1 Platform Control Box - View 1.....	84
603.1 Platform Control Box - View 2.....	88
604.1 Joysticks.....	90

**700 Manifolds and Pumps**

701.1 Traction Manifold.....	92
702.1 Function Manifold.....	96
703.1 Jib and Platform Rotate Manifolds.....	100
704.1 Pumps.....	102

**800 Hydraulic Hoses and Fittings**

801.1 Drive and Steer System.....	104
802.1 Oscillate System.....	106
803.1 Turntable Components.....	108
804.1 Boom Components.....	110

**900 Accessories**

901.1 Alarm and Beacon Package.....	112
902.1 Platform Options.....	114
903.1 Half-height Mesh and Swing Gate Options.....	116
904.1 Air Line to Platform.....	118
905.1 Belt Driven Generator.....	120
906.1 Pipe Cradle Option.....	122

**Indices**

Part Number Index.....124  
Part Description Index.....128

**Cross References**  
Fittings Cross Reference.....136



### Required Parts

The following parts are required to perform maintenance procedures as outlined in the Genie Z-51 Service Manual.

Description	Part No.
Hydraulic Tank Filter Element Kit.....	77353
High and Medium Pressure Filter Element.....	60857
Wheel Lug Nuts .....	21149
Lithium Based Grease.....(source locally)	
Dielectric Grease .....	66399
Drive Hub Oil (refer to service manual) ...(source locally)	
Air Filter .....	27916
Fuel/water Separator Element.....	29560
Engine Oil Filter .....	49924
V-belt .....	32698

### Recommended Parts

Description	Part No.
Genie Blue Paint, 1 Gallon .....	32150
Genie Blue Paint, 12 Ounce Aerosol.....	1484
Genie Gray Paint, 1 Gallon.....	32151
Genie Gray Paint, 12 Ounce Aerosol .....	1268
Plug and Cap Kit (for ORFS fittings).....	49613

### Manuals

Genie Industries offers the following support documents for these models:

Title	Part No.
EMI Safety Manual.....	27581
Manual of Responsibilities ANSI A92.5.....	31779

## How to Order Parts

Please be prepared with the following information when ordering replacement parts for your Terex or Genie product.

- Machine model number
- Machine serial number
- Part number
- Part description and quantity
- Purchase order number
- "Ship to" address
- Desired method of shipment
- Name and telephone number of the authorized distributor in your area

Use the Service Parts Fax Order Form on the next page and fax your order to our Parts Department.

If you don't know the name of your authorized distributor, or if your area is not currently serviced by an authorized distributor, please call Terex or Genie Industries.

### Machine Information

---

Model

---

Serial Number

---

Date of Purchase

---

Authorized Genie Distributor

---

Phone Number

#### North America

Telephone (425)881-1800

Toll Free (800)536-1800 in US and Canada

Fax (425)556-8659

Toll Free fax (888)274-6192

Email [AWP.PartsSalesPO@terex.com](mailto:AWP.PartsSalesPO@terex.com)

<http://genielift.com/en>

#### EMEAR (Europe, Middle East, Africa and Russia)

Telephone (31)(165)519 313

Fax (31)(165)511 148

<http://genielift.co.uk>

#### Asia Pacific (Genie Singapore)

Telephone +65 6692 7777

Fax +65 6261 8893

<http://genielift.com.sg/>

#### Australia

Telephone (61)(7)3456 4444

Fax (61)(7)3456 4466

<http://genielift.com.au>

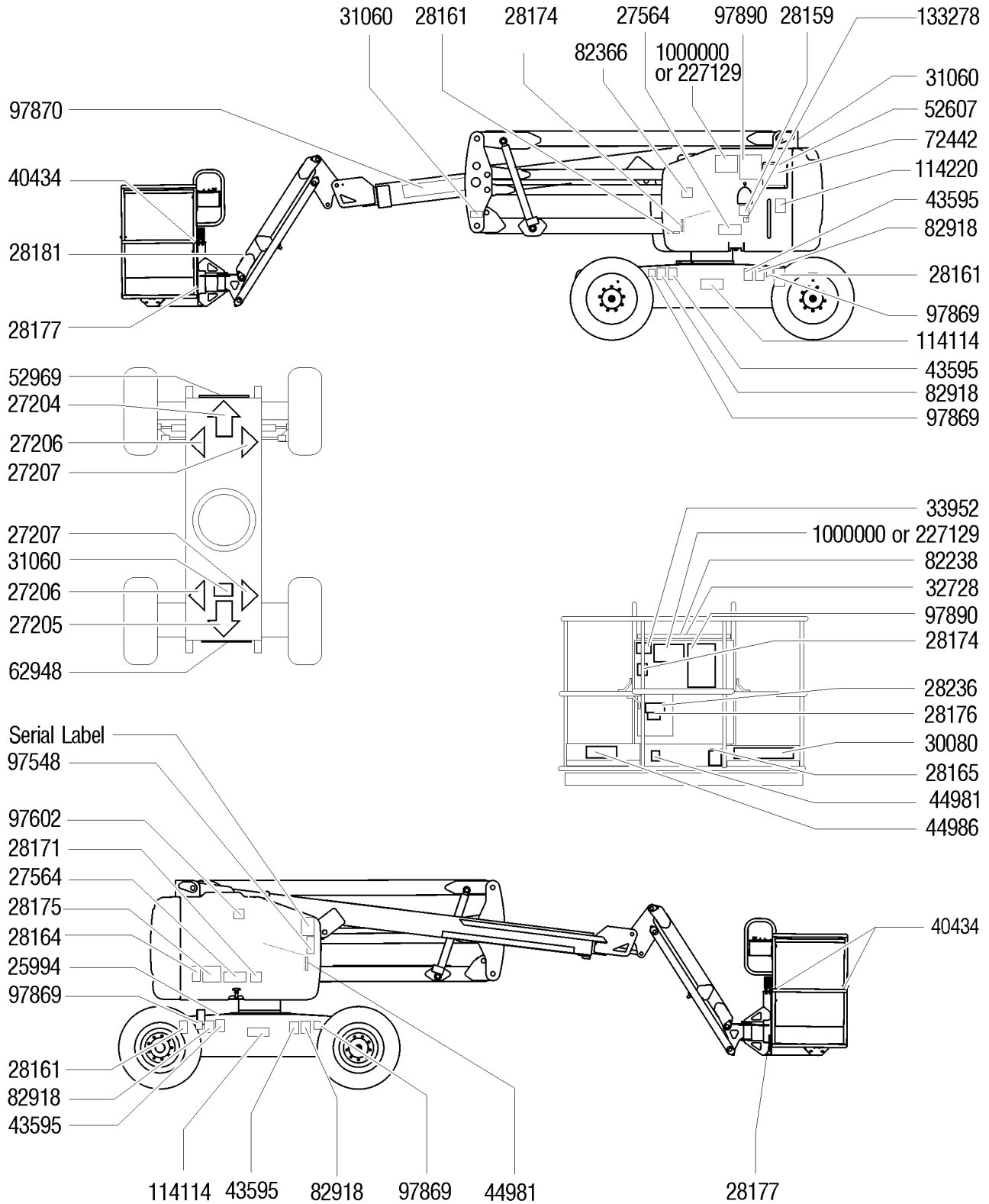
#### South America

Telephone (55)(11)4082 5600

Fax (55)(11)4082 5630



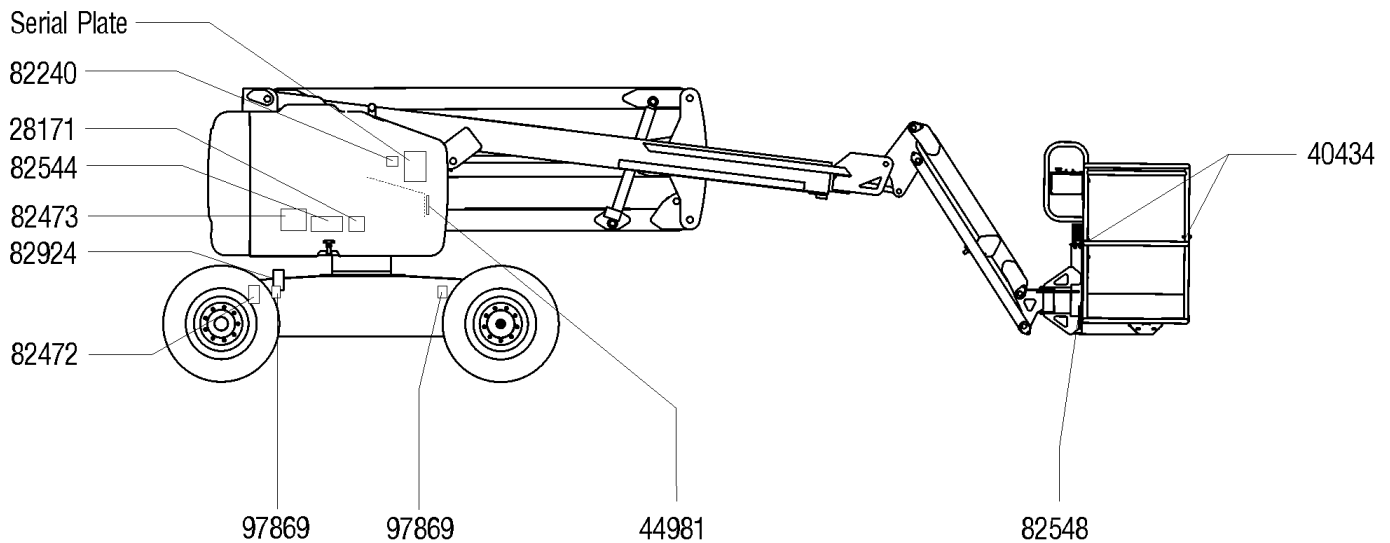
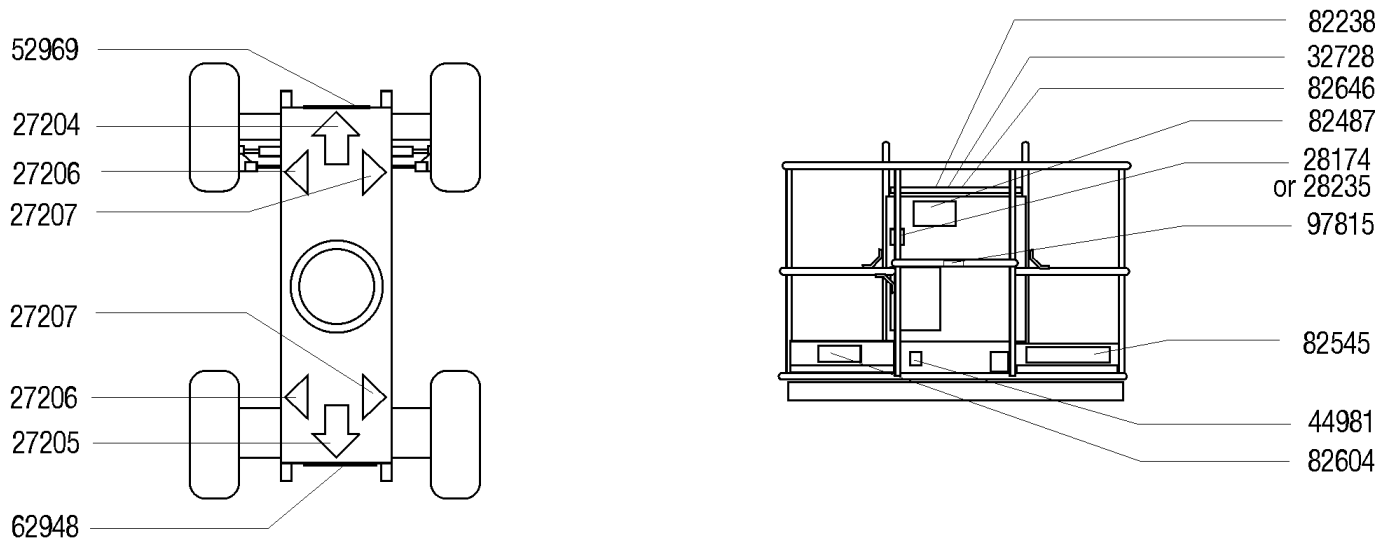
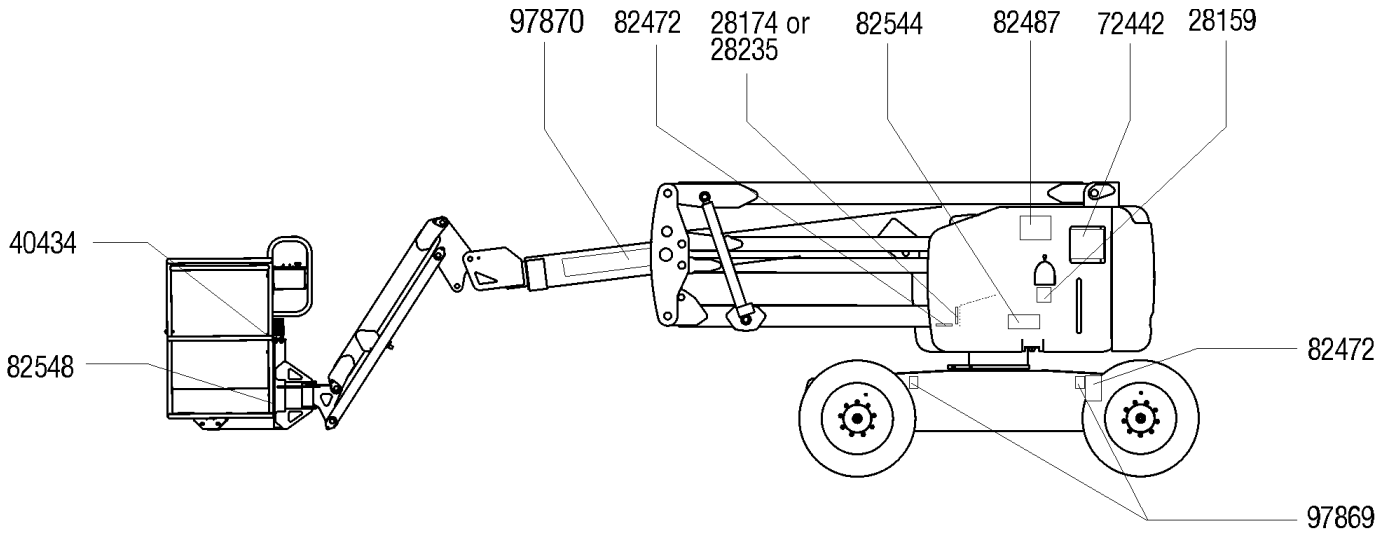
101.1 Decals with Words



101.1 Decals with Words

Item	Part No.	Description	Qty.	Item	Part No.	Description	Qty.
A	162441GT	DECAL KIT,Z51JIC PLAT,WRD,AUST to SN Z513011B-657		30	82238GT	DECAL,PLATFORM CONTROL PANEL.....	1
B	162442GT	DECAL KIT,Z51JIC COMP,WRD,AUST to SN Z513011B-657		31	82366GT	DECAL, LABEL - CHEVRON RANDO.....	1
C	162239GT	DECAL KIT,Z51JIC PLAT,WRD,AUST from SN Z513011B-658		32	82918GT	DECAL,NOTICE, TIRE SPECS.....	4
D	162240GT	DECAL KIT,Z51JIC COMP,WRD,AUST from SN Z513011B-658		33	97548GT	DECAL,ENGINE SPEC,DEUTZ 2011.....	1
1	25994GT	DECAL,NOTICE,SHUTOFF VALVES.....	1	34	97602GT	DECAL,EXPLOSION HAZARD.....	1
2	27204GT	DECAL,ARROW BLUE.....	1	35	97869GT	DECAL,LABEL,WHEEL LOAD Z51.....	4
3	27205GT	DECAL,ARROW YELLOW LRG 9".....	1	36	97870GT	DECAL,COSMETIC,GENIE Z-51/30J.....	1
4	27206GT	DECAL,TRIANGLE,BLUE.....	2	37	97890GT	DECAL,DANGER,GEN SAFETY RULES.....	2
5	27207GT	DECAL,TRIANGLE,YELLOW.....	2	38	114114GT	DECAL,LABEL,TRANSPORT.....	2
6	27564GT	DECAL,DANGER,ELEC.HAZ.STAY CLR.....	2	39	114220GT	DECAL,LABEL,RELAYS,Z45IC,Z51.....	1
7	28159GT	DECAL,LABEL,DIESEL FUEL.....	1	40	1000000GT	DECAL,NOTICE,OPER INST.IXC.....	2
8	28161GT	DECAL,WARN,CRUSH HAZARD HAND.....	3	41	133278GT	DECAL,LOW/ULTRA LOW SULFR FUEL.....	1
9	28164GT	DECAL,NOTICE,HAZARDOUS MAT'LS*.....	1	42	227129GT	DECAL,OPER INST,Z45/Z51 IC AUS..... <i>Australia, from SN Z512511A-40560</i>	2
10	28165GT	DECAL,INSTRUCT,FOOTSWITCH OPER.....	1				
11	28171GT	DECAL,DANGER,NO SMOKING ***.....	1				
12	28174GT	DECAL,POWER TO PLATFORM 230V...2					
13	28175GT	DECAL,WARNING-COMPART ACCESS.....	1				
14	28176GT	DECAL,LABEL,MANUAL NOT HERE.....	1				
15	28177GT	DECAL,WARN,CRUSH HAZARD PLAT.....	2				
16	28181GT	DECAL,WARN,FALL HAZARD.....	1				
17	28236GT	DECAL,WARN,IMPROPER OPERATION.....	1				
18	30080GT	DECAL,NOTICE,MAX LOAD 500 LBS...1					
19	31060GT	DECAL,DANGER DO NOT ALTER SWTC.....	3				
20	32728GT	DECAL,OPTION GENERATOR***.....	1				
21	33952GT	DECAL,DANGER,TILT ALARM.....	1				
22	40434GT	DECAL,LANYARD ANCHORAGE POINT.....	3				
23	43595GT	DECAL,DANGER,TIP-OVER, TIRES***...4					
24	44981GT	DECAL,LABEL,AIR LINE 110 PSI.....	2				
25	44986GT	DECAL,INSTR,SIDE FRC/WIND,AUS.....	1				
26	52607GT	DECAL,LABEL,TEST***.....	1				
27	52969GT	DECAL,COSMETIC,GENIE BOOM,HORZ.....	1				
28	62948GT	DECAL,COSMETIC,IC POWER 4 X 4.....	1				
29	72442GT	DECAL, GROUND CONTROL PANEL....1					

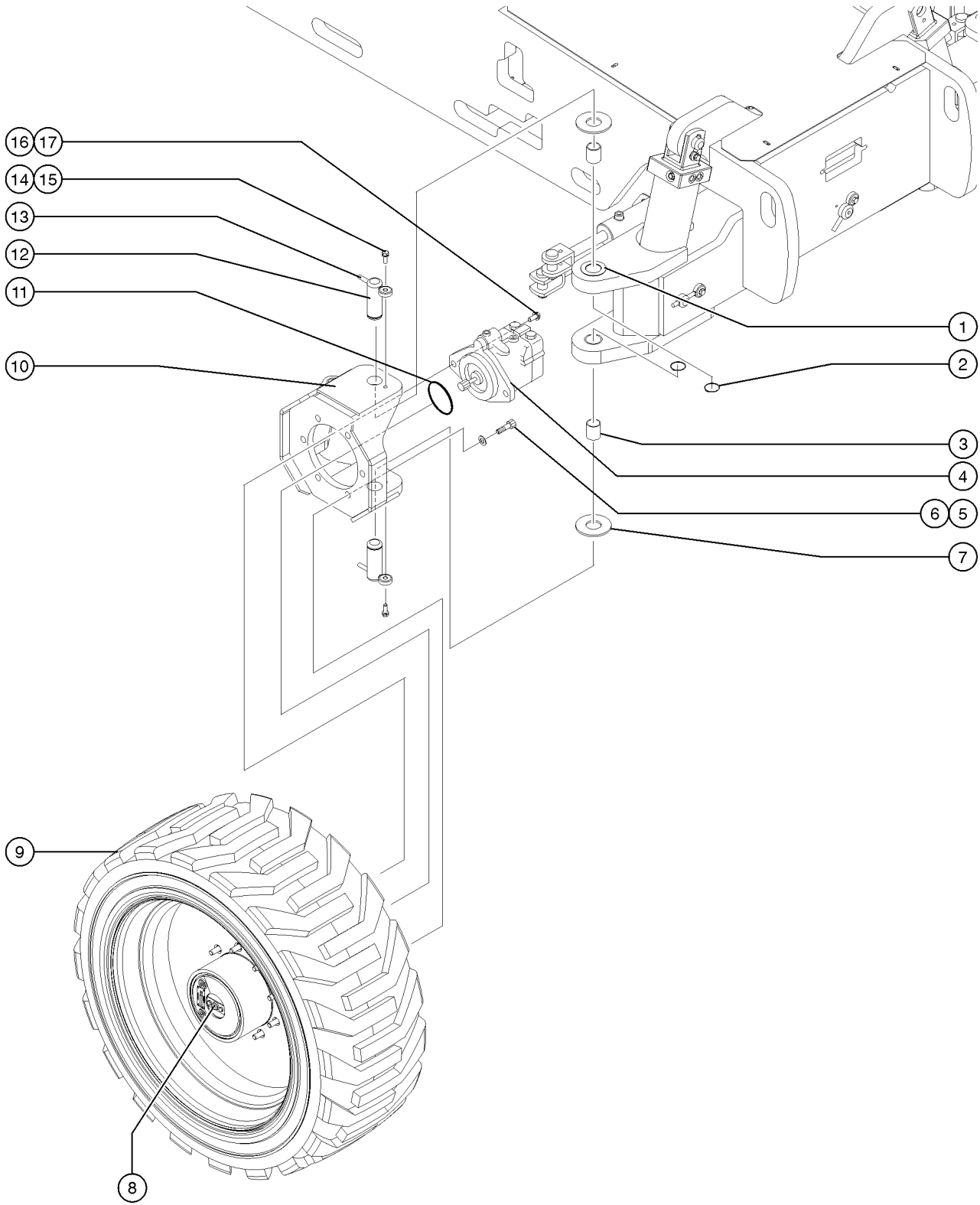
102.1 Decals with Symbols



102.1 Decals with Symbols

Item	Part No.	Description	Qty.
--	110315GT	DECAL KIT,SYMBOL,Z451C <i>includes items 1-4, 6, 10, 18-23 and 24</i>	
1	27204GT	DECAL,ARROW BLUE.....	1
2	27205GT	DECAL,ARROW YELLOW LRG 9".....	1
3	27206GT	DECAL,TRIANGLE,BLUE.....	2
4	27207GT	DECAL,TRIANGLE,YELLOW.....	2
5	28159GT	DECAL,LABEL,DIESEL FUEL.....	1
6	28171GT	DECAL,DANGER,NO SMOKING ***.....	1
7	28174GT	DECAL,POWER TO PLATFORM 230V...2	
8	28235GT	DECAL,POWER TO PLATFORM 115V...2	
9	32728GT	DECAL,OPTION GENERATOR***.....	1
10	40434GT	DECAL,LANYARD ANCHORAGE POINT.....	3
11	44981GT	DECAL,LABEL,AIR LINE 110 PSI.....	2
12	52969GT	DECAL,COSMETIC,GENIE BOOM,HORZ.....	1
13	62948GT	DECAL,COSMETIC,IC POWER 4 X 4....	1
14	72442GT	DECAL, GROUND CONTROL PANEL....	1
15	82238GT	DECAL,PLATFORM CONTROL PANEL.....	1
16	82366GT	DECAL, LABEL - CHEVRON RANDO....	1
17	82240GT	DECAL,LABEL,105 DB.....	1
18	82472GT	DECAL,WARNING,CRUSHING HAZARD.....	3
19	82473GT	DECAL,SYMBOL-COMP ACCESS.....	1
20	82487GT	DECAL,SYMBOL-READ THE MANUAL.....	2
21	82544GT	DECAL,DANGER,ELEC.HAZ.STAY CLR.....	3
22	82545GT	DECAL,DANGER,MAX LOAD 227 KG**.....	1
23	82548GT	DECAL,WARN,CRUSH HAZARD PLAT.....	2
24	82604GT	DECAL,DANGER,SIDE FRC 400N.....	1
25	82646GT	DECAL,DRIVE ENABLE PATCH.....	1
26	82924GT	DECAL,CAUTION,SHUTOFF VALVES**.....	1
27	97815GT	DECAL,LABEL,LOWER MIDRAIL.....	1
28	97869GT	DECAL,LABEL,WHEEL LOAD Z51.....	4
29	97870GT	DECAL,COSMETIC,GENIE Z-51/30J....	1

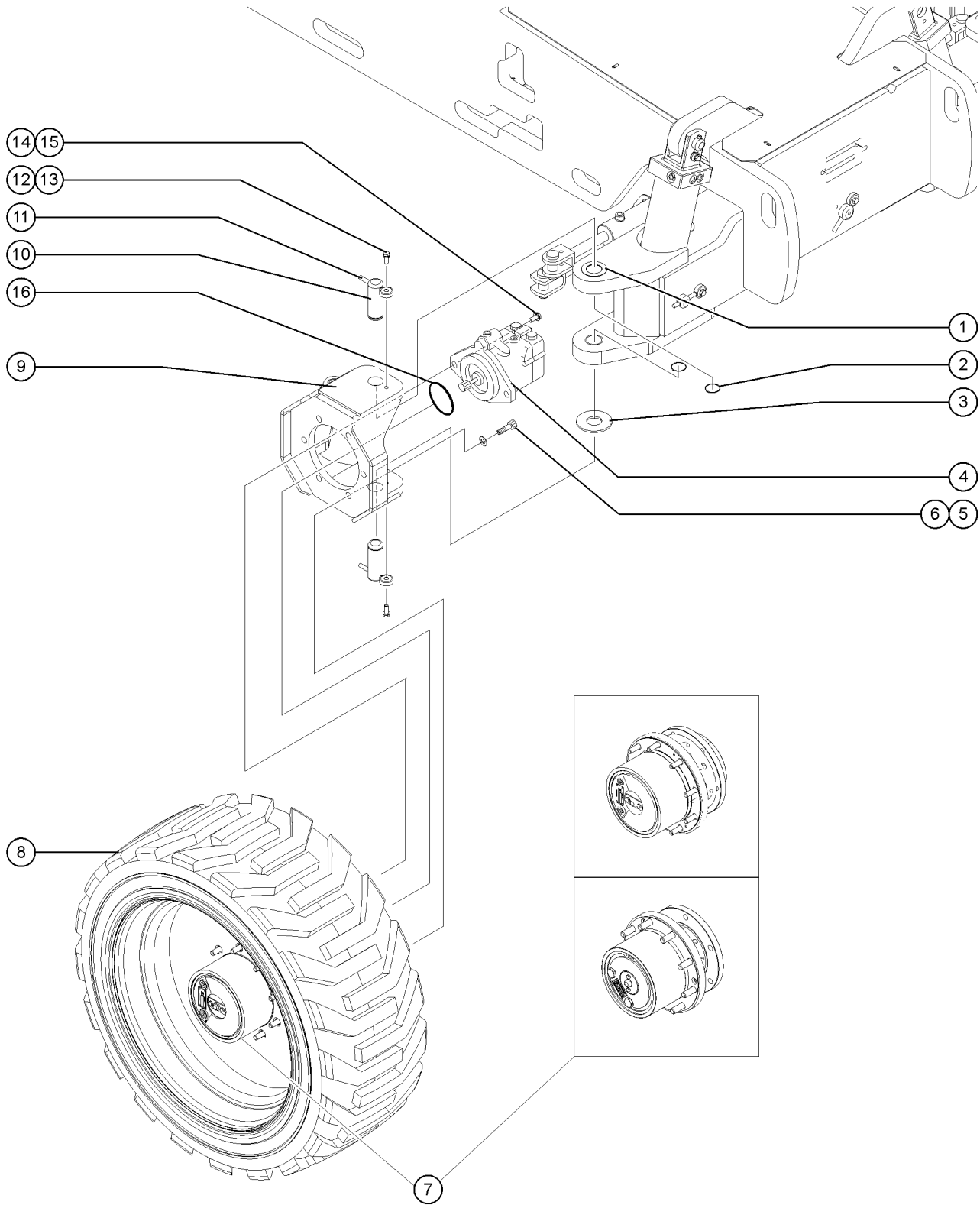
201.1 Wheels, Yokes and Drive Motor, Steer End (to SN Z513012B-705)



## 201.1 Wheels, Yokes and Drive Motor, Steer End (to SN Z513012B-705)

Item	Part No.	Description	Qty.
1	18596GT	WASHER,FLAT,1.56 X 2.5 X .061	
2	825796GT	SNAP RING,EXTERNAL,1.50,ZAG	
3	45074GT	WASHER,THRUST,1.5 X 3.5 X .187	
4	33432GT	MOTOR,HYD,25CC FIXED***.....2	
--	32675GT	SEAL KIT,SUNSTRAND	
5	19418GT	SCREW,SHC,5/8-11 X 1.75.....12	
6	13064GT	WASHER,FLAT,.625 HARDENED.....12	
7	20193GT	TORQUE HUB,35:1***.....2 <i>Type: FAIRFIELD. Visually identify which hub before ordering parts. ID tag is on end cover cap. Hubs are not interchangeable, internal components are different for each type. All four hubs must be the same to avoid damage.</i>	
--	21142GT	SEAL KIT (W1B) TORQUE HUBS	
--	21143GT	BEARING KIT (45553) TORQUE HUB	
--	21144GT	CAP,DISENGAGE-45553 TORQUE HUB	
--	21146GT	COVER CAP,TORQUE HUB***	
--	21148GT	WASHER,THRUST,TORQUE HUB	
--	21149GT	LUG,WHEEL STUD,5/8-18,W1/4HB**	
--	37097GT	O-RING, TORQUE HUB	
--	58438GT	KIT,COVER, TORQUE HUB,45553***	
--	58589GT	THRUST CAP (20193)	
--	74099GT	DISCONNECT ROD (56338)	
8	94662GT	WHEEL & TIRE ASSY,RR/LF,FF.....1 <i>RT, Foam-filled, left</i>	
8	94663GT	WHEEL & TIRE ASSY,LR/RF,FF <i>RT, Foam-filled, right</i>	
8A	94670GT	WHEEL & TIRE ASSY,RR/LF,FF,NM <i>RT, Foam-filled, Non-marking, left</i>	
8A	94671GT	WHEEL & TIRE ASSY,LR/RF,FF,NM <i>RT, Foam-filled, Non-marking, right</i>	
9A	52705-SGT	YOKE ASSY,RH,4WD,Z45/25,IC.....1	
9B	52704-SGT	YOKE ASSY,LH,4WD,Z45/25,IC	
--	25817GT	BEARING,1.00IDX1.25ODX1.00L	
10	88752GT	PIN,1.50DIAX4.25LG,GR/H.....4	
11	45226GT	ROD END,.375 X 3.69.....4	
12	6175GT	SCREW,HHC,3/8-16 X 1	
13	6021GT	WASHER,LOCK,.375	
14	22788GT	SCREW,HHC,1/2-13 X 1.75	
15	6033GT	WASHER,LOCK,0.5"	
16	52087GT	O-RING,2-044 BUNA***.....2	

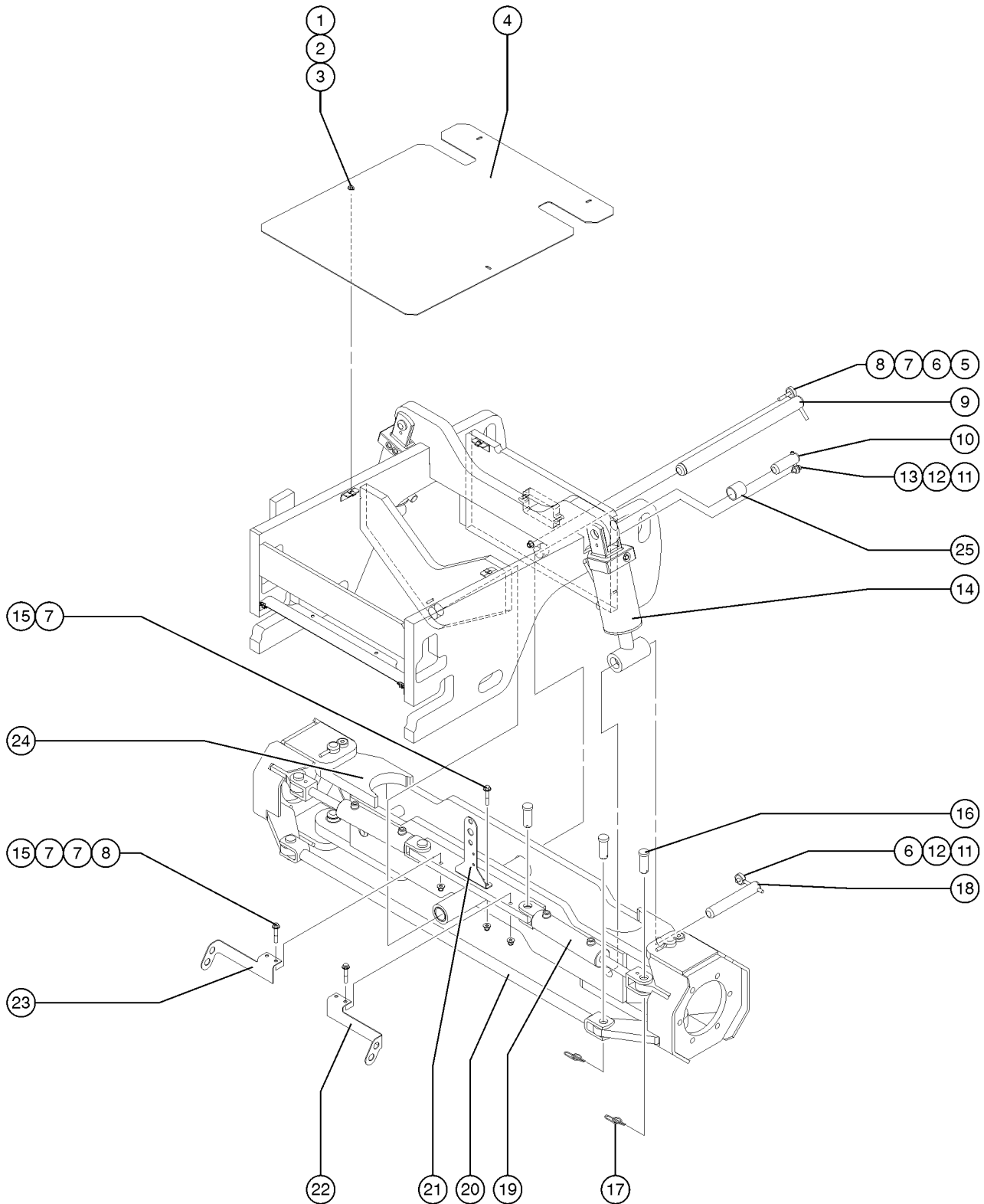
201.2 Wheels, Yokes and Drive Motor, Steer End (from SN Z513012B-706)



201.2 Wheels, Yokes and Drive Motor, Steer End (from SN Z513012B-706)

Item	Part No.	Description	Qty.	Item	Part No.	Description	Qty.
1	18596GT	WASHER,FLAT,1.56 X 2.5 X .061		--	147034GT	PIPE PLUG KIT,OMNI*** for 229763	
2	825796GT	SNAP RING,EXTERNAL,1.50,ZAG		--	229833GT	BEARING KIT, OMNI for 229763	
3	45074GT	WASHER,THRUST,1.5 X 3.5 X .187		--	229834GT	SEAL KIT, OMNI for 229763	
4	33432GT	MOTOR,HYD,25CC FIXED***	2	8	94662GT	WHEEL & TIRE ASSY,RR/LF,FF	1
--	32675GT	SEAL KIT,SUNSTRAND				<i>RT, Foam-filled, left</i>	
5	19418GT	SCREW,SHC,5/8-11 X 1.75	12	8	94663GT	WHEEL & TIRE ASSY,LR/RF,FF	1
6	13064GT	WASHER,FLAT,.625 HARDENED	12			<i>RT, Foam-filled, right</i>	
7	20193GT	TORQUE HUB,35:1*** <i>Type: FAIRFIELD. Visually identify which hub before ordering parts. ID tag is on end cover cap. Hubs are not interchangeable, internal components are different for each type. All four hubs must be the same to avoid damage.</i>	2	8A	94670GT	WHEEL & TIRE ASSY,RR/LF,FF,NM	1
--	21142GT	SEAL KIT (W1B) TORQUE HUBS for 20193				<i>RT, Foam-filled, Non-marking, left</i>	
--	21143GT	BEARING KIT (45553) TORQUE HUB for 20193		8A	94671GT	WHEEL & TIRE ASSY,LR/RF,FF,NM	1
--	21144GT	CAP,DISENGAGE-45553 TORQUE HUB for 20193				<i>RT, Foam-filled, Non-marking, right</i>	
--	21146GT	COVER CAP,TORQUE HUB*** for 20193		9A	52705-SGT	YOKE ASSY,RH,4WD,Z45/25,IC	1
--	21148GT	WASHER,THRUST,TORQUE HUB for 20193		9B	52704-SGT	YOKE ASSY,LH,4WD,Z45/25,IC	1
--	21149GT	LUG,WHEEL STUD,5/8-18,W1/4HB** for 20193		--	25817GT	BEARING,1.00IDX1.25ODX1.00L	
--	37097GT	O-RING, TORQUE HUB for 20193		10	88752GT	PIN,1.50DIA X 4.25LG,GR/H	4
--	58438GT	KIT,COVER,TORQUE HUB,45553*** for 20193		11	45226GT	ROD END,.375 X 3.69	4
--	58589GT	THRUST CAP (20193) for 20193		12	6175GT	SCREW,HHC,3/8-16 X 1	
--	74099GT	DISCONNECT ROD (56338) for 20193		13	6021GT	WASHER,LOCK,.375	
7B	229763GT	WHEEL DRIVE, NON BRAKE, 35.9:1 <i>Type: OMNI. Visually identify which hub before ordering parts. ID tag is on end cover cap. Hubs are not interchangeable, internal components are different for each type. All four hubs must be the same to avoid damage.</i>		14	22788GT	SCREW,HHC,1/2-13 X 1.75	
--	139965GT	WHEEL STUD,5/8-18,OMNI*** for 229763		15	6033GT	WASHER,LOCK,0.5"	
--	139966GT	ROD,DISCONNECT,OMNI*** for 229763		16	52087GT	O-RING,2-044 BUNA***	2
--	139967GT	CAP,DISENGAGE,OMNI*** for 229763					
--	139968GT	O-RING,END COVER,OMNI*** for 229763					
--	147033GT	O-RING,PIPE PLUG KIT,OMNI*** for 229763					

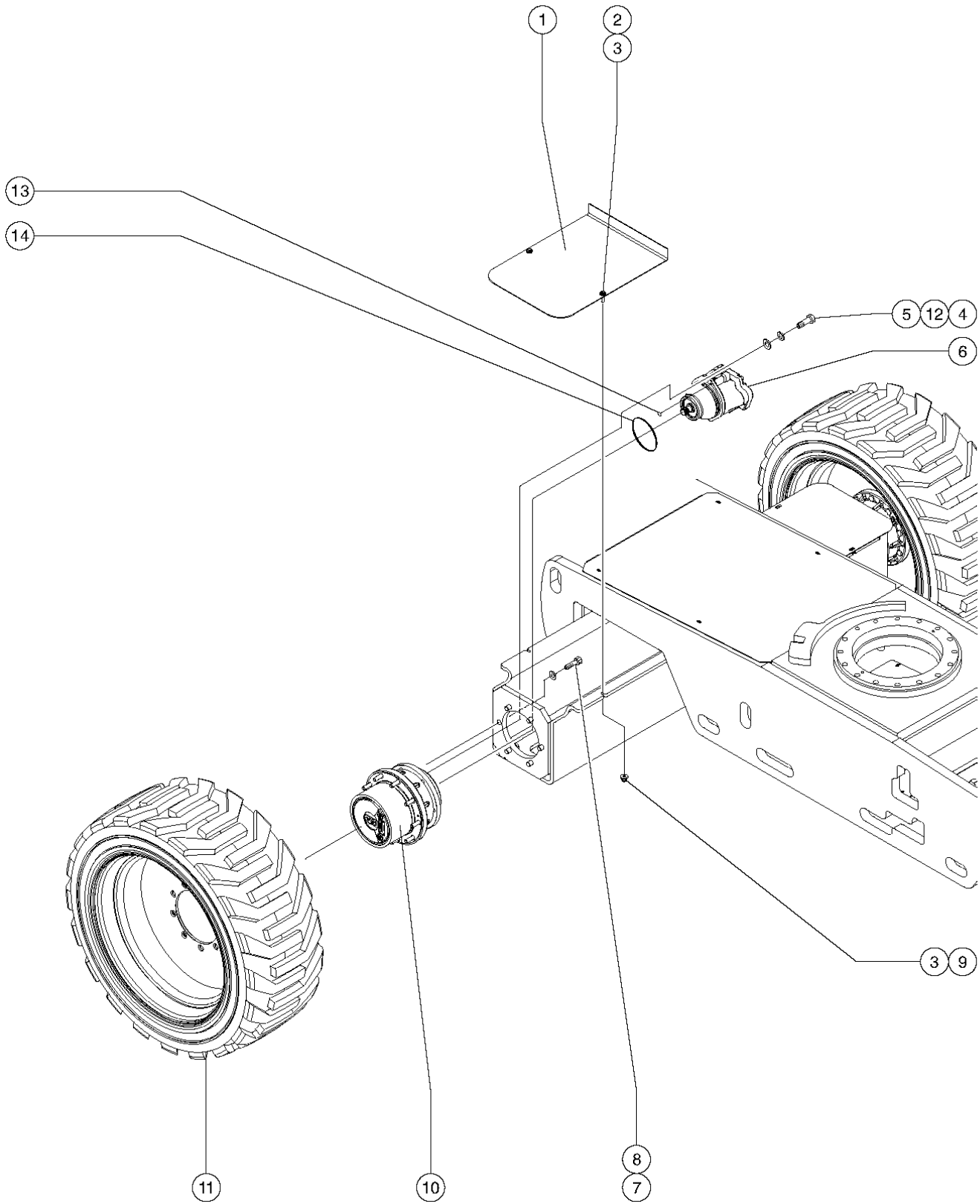
202.1 Steer Axle Linkage



## 202.1 Steer Axle Linkage

Item	Part No.	Description	Qty.
1	6888GT	SCREW,HHC,1/4-20 X 1	
2	6638GT	WASHER,FLAT,USS,1/4"Y	
3	56912GT	SPRING CLIP,1/4-20,.025-.15X.54,ZAG	
4	52731GT	COVER W/DECALS,STEER,OSC,Z45....1	
5	6708GT	SCREW,HHC,3/8-16 X 2.25	
6	45226GT	ROD END,.375 X 3.69.....3	
7	5397GT	WASHER,FLAT,USS,5/16",Y	
8	4828GT	NUT,NYLOCK,3/8-16	
9	54542GT	PIN,1.50DIA X 2.00LG,CHAMFER.....1	
10	50742GT	PIN,1.25DIA X 3.75LG,1HOLE.....2	
11	6175GT	SCREW,HHC,3/8-16 X 1	
12	6021GT	WASHER,LOCK,.375	
13	25284GT	ROD END,.375 X 2.25***.....2	
14	54567GT	CYLINDER,OSCILLATE,Z45***.....2	
--	128142GT	SERV KIT,CAP,SERIES 1CB VALVE	
--	25683GT	BEARING,POLYGON,20DU12	
--	65791GT	SEAL KIT,CYL,Z45 (54567)	
--	77409GT	VALVE,COUNTERBALANCE,1000 ATM	
15	5224GT	SCREW,HHC,3/8-16 X 2	
16	19440GT	PIN,CLEVIS,1 X 2.5 LG.....6	
17	74389GT	RUE RING,1.00.....6	
18	36198GT	PIN,1.25DIA X 8.12LG,1HOLE.....2	
19	88337GT	CYLINDER,STEER.....2	
--	88338GT	SEAL KIT, 88337	
20	50328-SGT	TIE ROD WELDMENT.....1	
21	70616PGT	BRACKET,OSC HOSE BULKHEAD,PAIN.....1	
22	50947GT	BRACKET,FRONT DRIVE HOSES,RH...1	
23	50901GT	BRACKET,FRONT DRIVE HOSES,LH...1	
24	119979GT	AXLE ASSY,FRONT,WIDE Z45/Z51	
--	25817GT	BEARING,1.00IDX1.25ODX1.00L	
--	45071GT	BEARING,1.5IDX1.75ODX1.5L	
25	50560GT	BEARING,1.25IDX1.50ODX1.50L.....2	

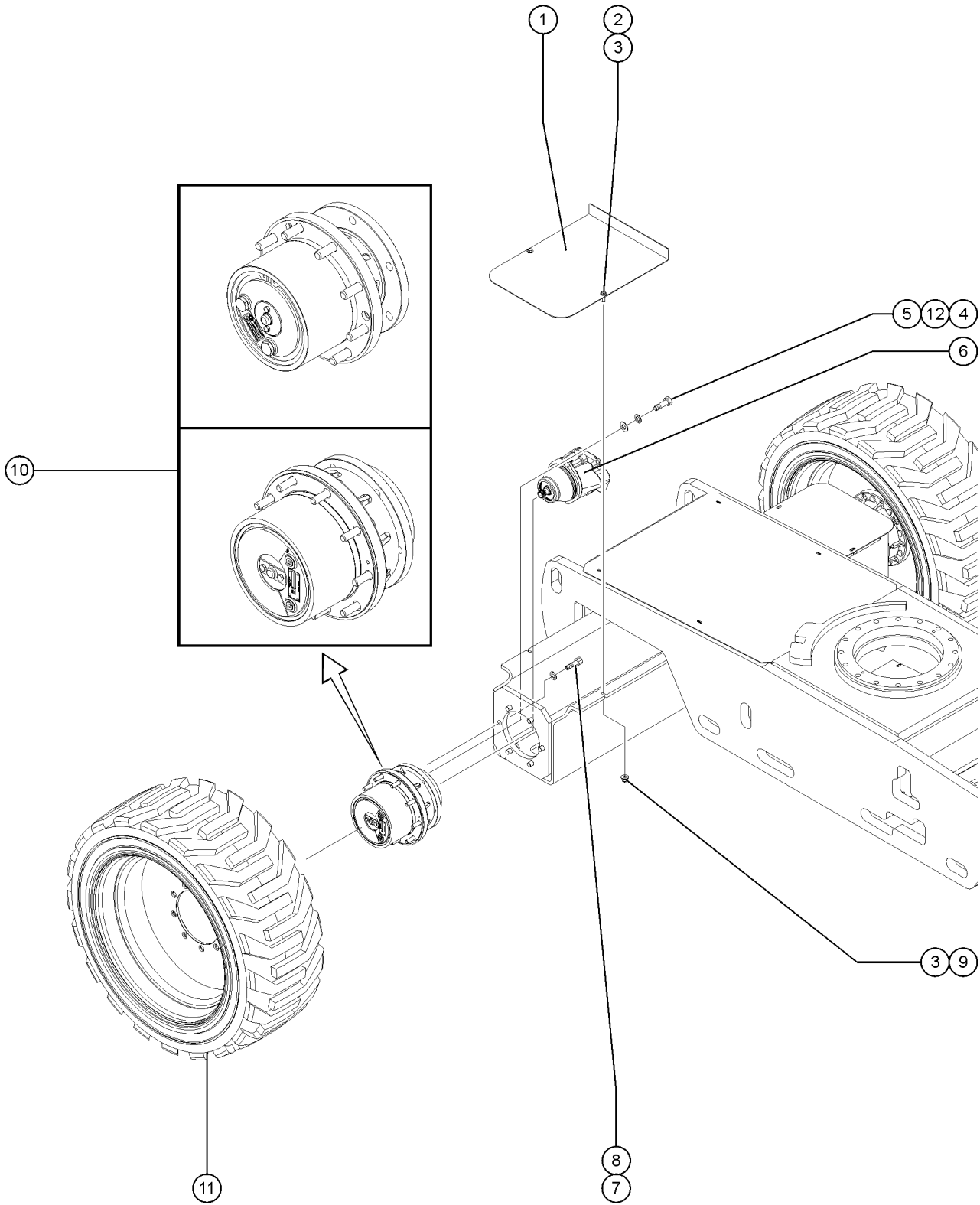
203.1 Non-steer End Wheels and Hubs (to SN Z513012B-705)



203.1 Non-steer End Wheels and Hubs (to SN Z513012B-705)

Item	Part No.	Description	Qty.	Item	Part No.	Description	Qty.
1	110150PGT	COVER,REAR AXLE,WIDE,PAINTED.....	2	11B	94670GT	WHEEL & TIRE ASSY,RR/LF,FF,NM <i>RT, Foam-filled, Non-marking, right</i>	
2	6888GT	SCREW,HHC,1/4-20 X 1		--	94671GT	WHEEL & TIRE ASSY,LR/RF,FF,NM <i>RT, Foam-filled, Non-marking, left</i>	
3	6638GT	WASHER,FLAT,USS,1/4"Y		12	20912GT	WASHER,LOCK,.437,PLTD.....	2
4	88296GT	SCREW,HHC,7/16-14 X 1.25		13	106117GT	O-RING,2-010,VITON.....	1
5	6097GT	WASHER,FLAT,USS,3/8",Y.....	2	14	102158GT	O-RING,.103 X 4.737,VITON, 75D.....	1
6	106151GT	MOTOR,PISTON,LC30,1 DEG,13T.....	1				
--	106098GT	SEAL KIT,MOTOR,LC/KC*** <i>2WD models</i>					
--	106118GT	O-RING,2-157,VITON*** <i>O-ring on motor</i>					
7	119966GT	SCREW,SHC,5/8-11 X 1.63.....	6				
8	13064GT	WASHER,FLAT,.625 HARDENED.....	6				
9	6889GT	NUT,LP NYLOCK,1/4-20					
10	101584GT	WHEEL DRIVE W/BRAKE 57:1..... <i>Type: FAIRFIELD. Visually identify which hub before ordering parts. ID tag is on end cover cap. Hubs are not interchangeable, internal components are different for each type. All four hubs must be the same to avoid damage.</i>	2				
--	106117GT	O-RING,2-010,VITON <i>for 101584 (Mating O-ring for Brake Port)(Extremely small)</i>					
--	106119GT	SEAL KIT, GEARBOX, 4HP <i>for 101584</i>					
--	106120GT	WHEEL STUD, 4HP, 5/8-18*** <i>for 101584</i>					
--	106121GT	ROD,DISCONNECT 4HP/4HB*** <i>for 101584</i>					
--	106122GT	CAP,DISENGAGE,4HP/4HB*** <i>for 101584</i>					
--	106123GT	O-RING,END COVER,4HP/4HB*** <i>for 101584</i>					
--	106124GT	LINING KIT, BRAKE, 4HP*** <i>for 101584</i>					
--	106125GT	SEAL KIT, BRAKE, 4HP <i>for 101584</i>					
--	106126GT	BEARING KIT,4HP <i>for 101584</i>					
--	146051GT	BEARING NUT*** <i>for 101584</i>					
--	146052GT	SET SCREW*** <i>for 146051</i>					
--	215777GT	INPUT CARRIER, SUB-ASSEMBLY <i>for 101584</i>					
--	58320GT	KIT,TORQUE HUB COVER(101584)** <i>for 101584</i>					
11A	94662GT	WHEEL & TIRE ASSY,RR/LF,FF <i>RT, Foam-filled, right</i>					
--	94663GT	WHEEL & TIRE ASSY,LR/RF,FF <i>RT, Foam-filled, left</i>					

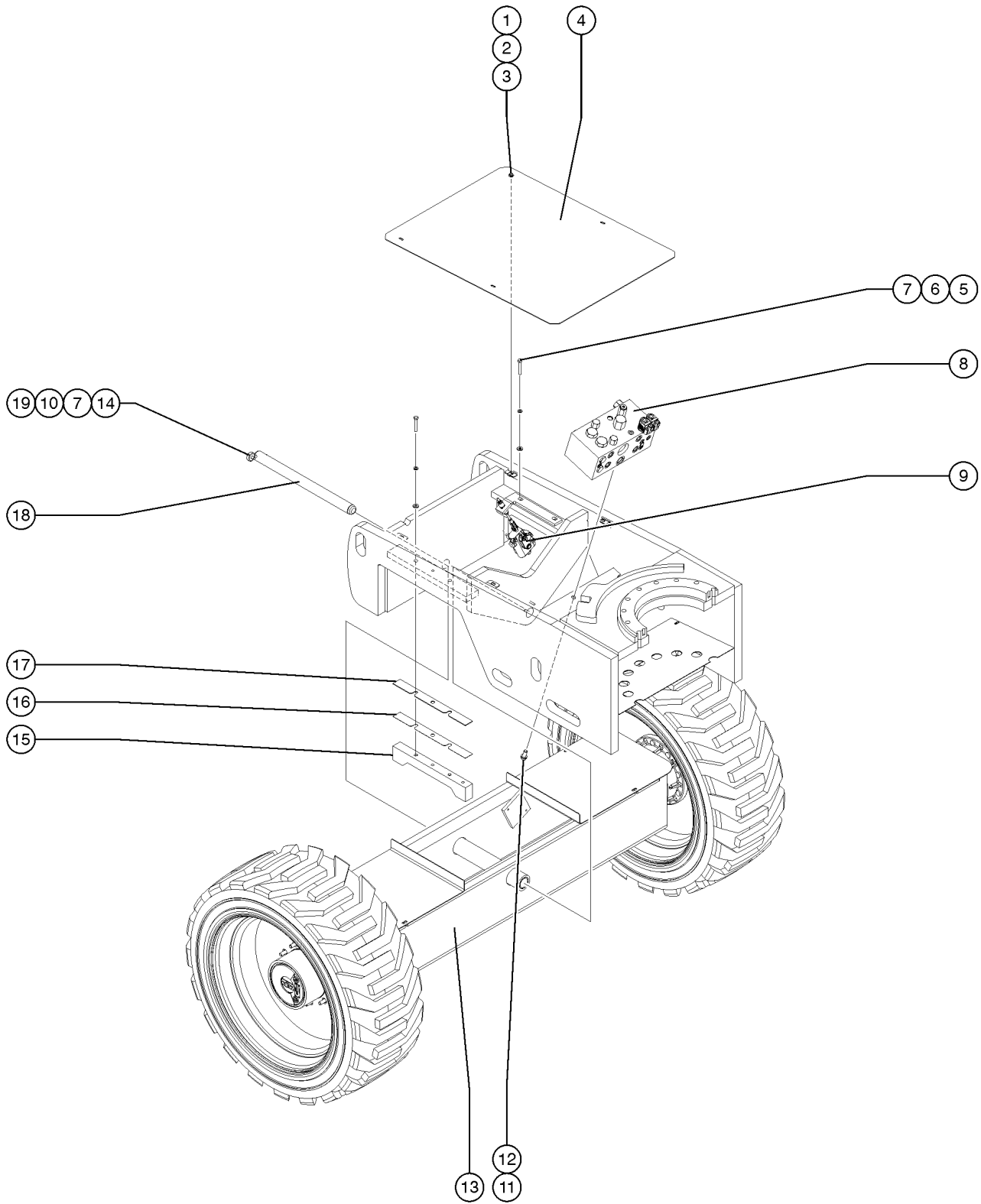
203.2 Non-steer End Wheels and Hubs (from SN Z513012B-706)



203.2 Non-steer End Wheels and Hubs (from SN Z513012B-706)

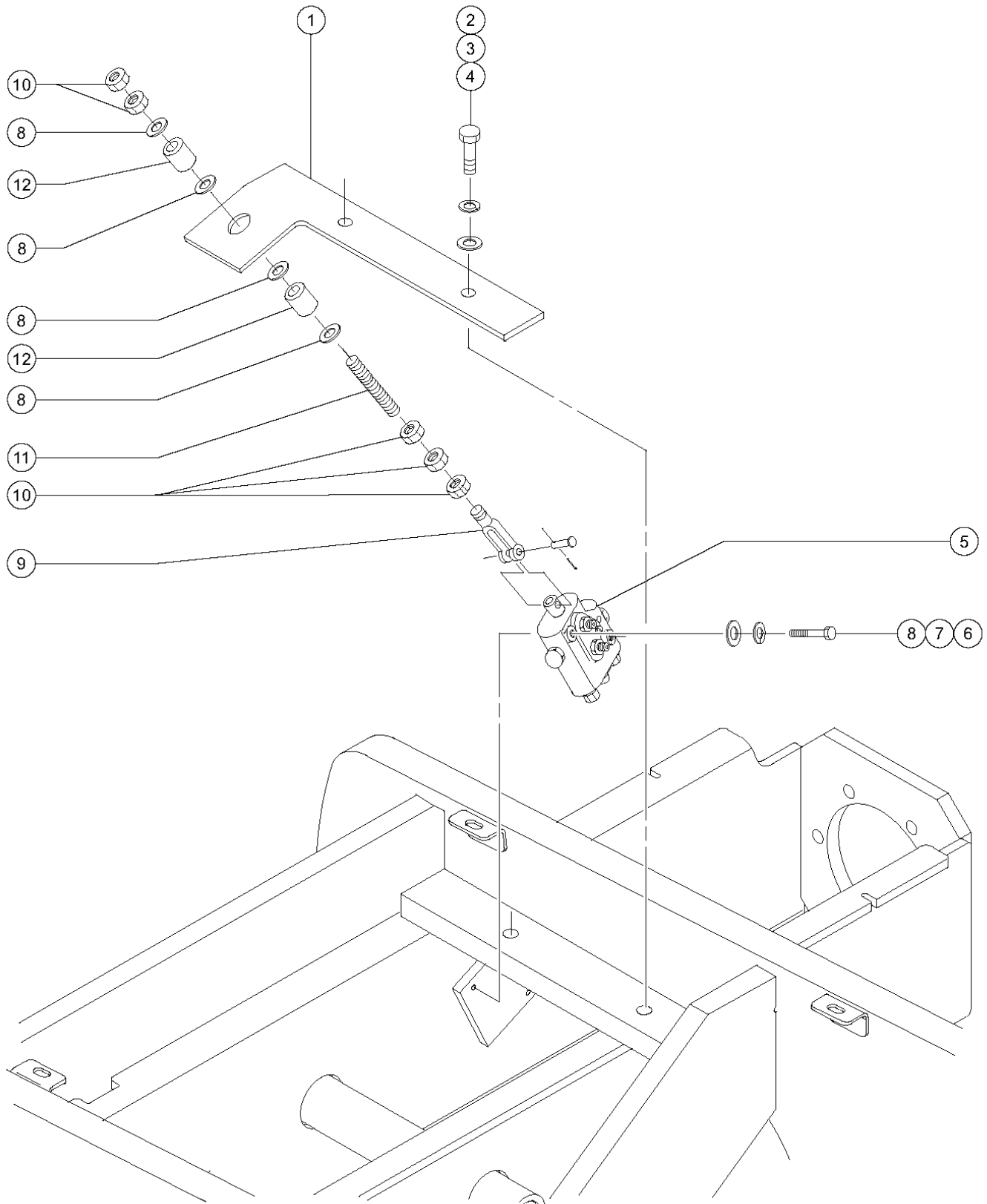
Item	Part No.	Description	Qty.	Item	Part No.	Description	Qty.
1	110150PGT	COVER,REAR AXLE,WIDE,PAINTED.....2		10B	139330GT	WHEEL DRIVE W/ BRAKE,57:1*** <i>Type: OMNI. Visually identify which hub before ordering parts. ID tag is on end cover cap. Hubs are not interchangeable, internal components are different for each type. All four hubs must be the same to avoid damage.</i>	
2	6888GT	SCREW,HHC,1/4-20 X 1		--	139965GT	WHEEL STUD,5/8-18,OMNI*** <i>for 139330</i>	
3	6638GT	WASHER,FLAT,USS,1/4"Y		--	139966GT	ROD,DISCONNECT,OMNI*** <i>for 139330</i>	
4	88296GT	SCREW,HHC,7/16-14 X 1.25		--	139967GT	CAP,DISENGAGE,OMNI*** <i>for 139330</i>	
5	6097GT	WASHER,FLAT,USS,3/8",Y.....2		--	139968GT	O-RING,END COVER,OMNI*** <i>for 139330</i>	
6	106151GT	MOTOR,PISTON,LC30,1 DEG,13T.....1		--	139969GT	LINING KIT,BRAKE,OMNI*** <i>for 139330</i>	
--	106098GT	SEAL KIT,MOTOR,LC/KC*** <i>2WD models</i>		--	139970GT	SEAL KIT,BRAKE,OMNI*** <i>for 139330</i>	
--	106118GT	O-RING,2-157,VITON*** <i>O-ring on motor</i>		--	139971GT	BEARING KIT,OMNI*** <i>for 139330</i>	
7	119966GT	SCREW,SHC,5/8-11 X 1.63.....6		--	139972GT	SEAL KIT,GEARBOX,OMNI*** <i>for 139330</i>	
8	13064GT	WASHER,FLAT,.625 HARDENED.....6		--	147033GT	O-RING,PIPE PLUG KIT,OMNI*** <i>for 139330</i>	
9	6889GT	NUT,LP NYLOCK,1/4-20		--	147034GT	PIPE PLUG KIT,OMNI*** <i>for 139330</i>	
10A	101584GT	WHEEL DRIVE W/BRAKE 57:1.....2 <i>Type: FAIRFIELD. Visually identify which hub before ordering parts. ID tag is on end cover cap. Hubs are not interchangeable, internal components are different for each type. All four hubs must be the same to avoid damage.</i>		11	94662GT	WHEEL & TIRE ASSY,RR/LF,FF <i>RT, Foam-filled, right</i>	
--	106117GT	O-RING,2-010,VITON <i>for 101584 (Mating O-ring for Brake Port)(Extremely small)</i>		--	94663GT	WHEEL & TIRE ASSY,LR/RF,FF <i>RT, Foam-filled, left</i>	
--	106119GT	SEAL KIT, GEARBOX, 4HP <i>for 101584</i>		--	94670GT	WHEEL & TIRE ASSY,RR/LF,FF,NM <i>RT, Foam-filled, Non-marking, right</i>	
--	106120GT	WHEEL STUD, 4HP, 5/8-18*** <i>for 101584</i>		--	94671GT	WHEEL & TIRE ASSY,LR/RF,FF,NM <i>RT, Foam-filled, Non-marking, left</i>	
--	106121GT	ROD,DISCONNECT 4HP/4HB*** <i>for 101584</i>		12	20912GT	WASHER,LOCK,.437,PLTD.....2	
--	106122GT	CAP,DISENGAGE,4HP/4HB*** <i>for 101584</i>					
--	106123GT	O-RING,END COVER,4HP/4HB*** <i>for 101584</i>					
--	106124GT	LINING KIT, BRAKE, 4HP*** <i>for 101584</i>					
--	106125GT	SEAL KIT, BRAKE, 4HP <i>for 101584</i>					
--	106126GT	BEARING KIT,4HP <i>for 101584</i>					
--	146051GT	BEARING NUT*** <i>for 101584</i>					
--	146052GT	SET SCREW*** <i>for 146051</i>					
--	215777GT	INPUT CARRIER, SUB-ASSEMBLY <i>for 101584</i>					
--	58320GT	KIT,TORQUE HUB COVER(101584)** <i>for 101584</i>					

204.1 Non-steer Axle



Item	Part No.	Description	Qty.
1	6888GT	SCREW,HHC,1/4-20 X 1	
2	6638GT	WASHER,FLAT,USS,1/4"Y	
3	56912GT	SPRING CLIP,1/4-20,.025-.15X.54,ZAG	
4	52707-SGT	COVR W/DECALS,NON-STEER Z45/25.....1	
5	14033GT	SCREW,HHC,3/8-16 X 2.75	
6	6021GT	WASHER,LOCK,.375	
7	5397GT	WASHER,FLAT,USS,5/16",Y	
8		Ref. Traction Manifold (refer to 701.)	
9		Ref. Oscillate Valve (refer to 205.1)	
10	6708GT	SCREW,HHC,3/8-16 X 2.25	
11	10597GT	SCREW,HHC,1/2-13 X 1.25 GR5	
12	6033GT	WASHER,LOCK,0.5"	
13	119978GT	AXLE ASSY,REAR,WIDE Z45/Z51	
--	45071GT	BEARING,1.5IDX1.75ODX1.5L	
14	4828GT	NUT,NYLOCK,3/8-16	
15	107914GT	BAR,AXLE ROTATION STOP*** .....1	
16	119210GT	SHIM,AXLE ROTATION STOP,12GA	
17	119209GT	SHIM,AXLE ROTATION STOP,22GA	
18	54542GT	PIN,1.50DIAX20.00LG,CHAMFER.....1	
19	45226GT	ROD END,.375 X 3.69.....1	

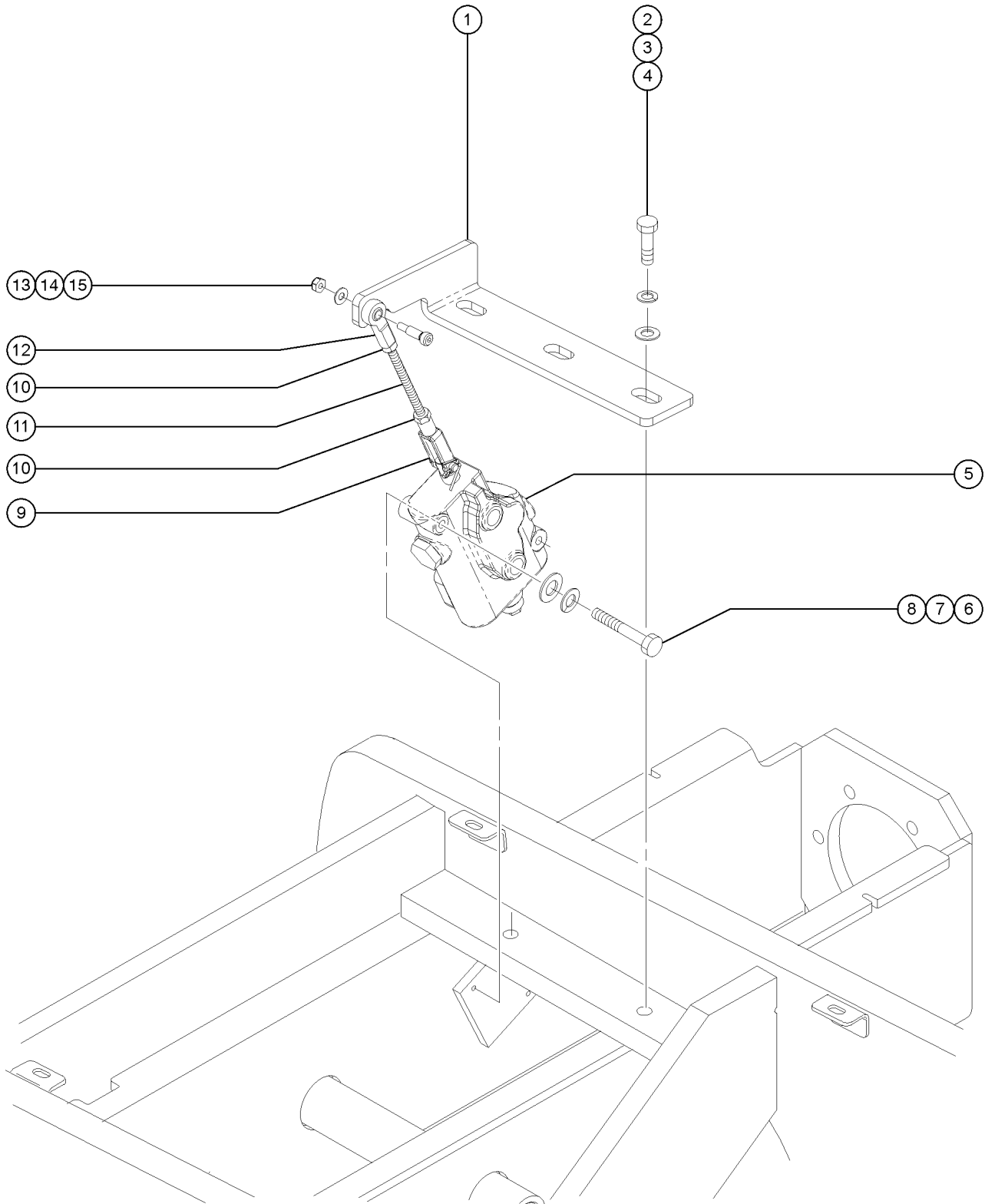
205.1 Oscillate Valve (to SN Z513012B-772)



## 205.1 Oscillate Valve (to SN Z513012B-772)

Item	Part No.	Description	Qty.
1		Ref., PLATE,BRACKET,OSC VALVE.....1 <i>refer to 205.2</i>	
2	14033GT	SCREW,HHC,3/8-16 X 2.75	
3	6021GT	WASHER,LOCK, .375	
4	5397GT	WASHER,FLAT,USS,5/16",Y	
5	49768GT	VLV,MAN,3 POS/4 WAY,CLOSE CTR*....1	
--	32681GT	SEAL KIT,CONTROL VALVE	
6	4266GT	SCREW,HHC,1/4-20 X 2	
7	6356GT	WASHER,LOCK, .25	
8	6638GT	WASHER,FLAT,USS,1/4"Y	
9	21130GT	CLEVIS YOKE-1/4-28,PLTD W/PIN <i>includes clevis pin and cotter pin</i>	
10	21496GT	NUT,HEX,1/4-28	
11	30785-600GT	THREADED ROD,1/4-28 X 6 IN***	
12		Ref., SPRING,OSC. LINKAGE,.75"LG.....2 <i>refer to 205.2</i>	

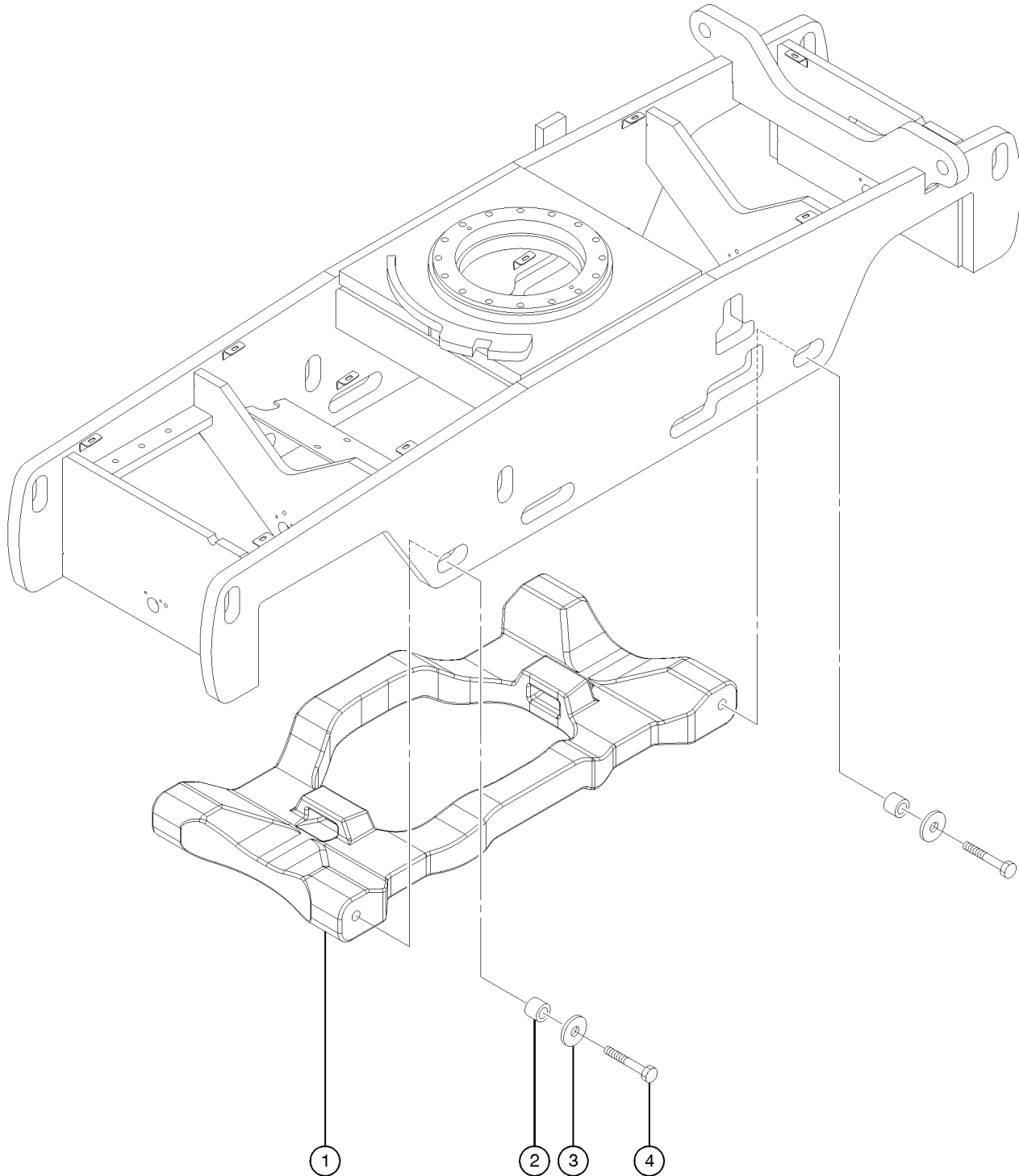
205.2 Oscillate Valve (from SN Z513012B-773)



## 205.2 Oscillate Valve (from SN Z513012B-773)

Item	Part No.	Description	Qty.
--	T111453GT	KIT,OSCILLATE LINKAGE <i>includes items 1 and 9-15</i>	
1	T107284GT	BRACKET,OSCILLATING VALVE.....	1
2	14033GT	SCREW,HHC,3/8-16 X 2.75.....	3
3	6021GT	WASHER,LOCK,,.375.....	3
4	5397GT	WASHER,FLAT,USS,5/16",Y.....	3
5	49768GT	VLV,MAN,3 POS/4 WAY,CLOSE CTR*....	1
--	32681GT	SEAL KIT,CONTROL VALVE <i>for 49768</i>	
6	6637GT	SCREW,HHC,1/4-20 X 1.75.....	2
7	6356GT	WASHER,LOCK,,.25.....	2
8	6638GT	WASHER,FLAT,USS,1/4"Y.....	2
9	21130GT	CLEVIS YOKE-1/4-28,PLTD W/PIN.....	1
10	21496GT	NUT,HEX,1/4-28.....	2
11	30785-500GT	THREADED ROD,1/4-28 X 5 IN.....	1
12	81691GT	ROD END,BALL JOINT 1/4-28.....	1
13	5365GT	NUT,NYLOCK,10-24.....	1
14	6146GT	WASHER,FLAT,MS,#10,Y.....	1
15	6584GT	SCREW,SHS,10-24 X .625.....	1

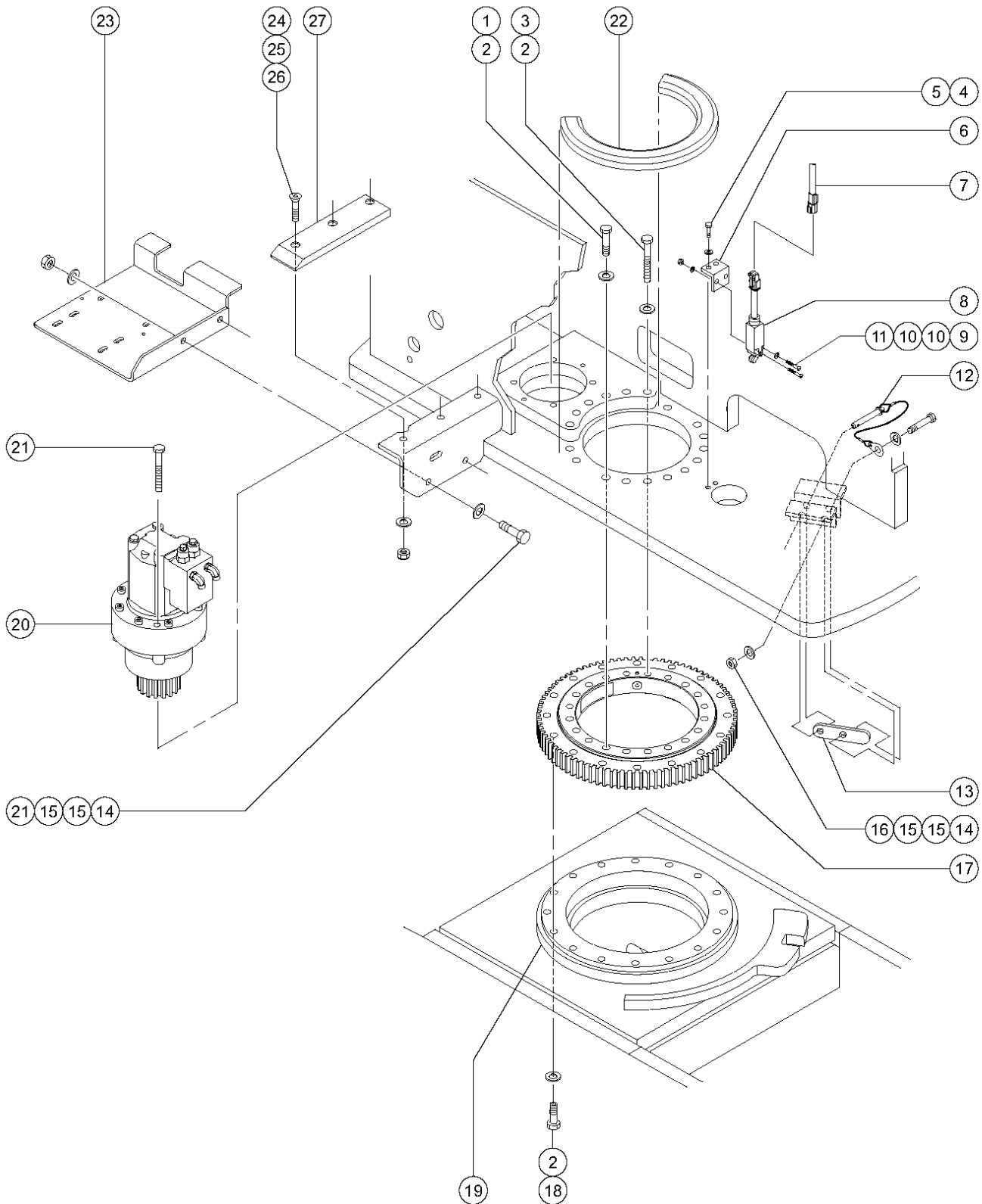
206.1 Drive Chassis - Counterweight



## 206.1 Drive Chassis - Counterweight

Item	Part No.	Description	Qty.
1	119287GT	COUNTERWEIGHT,CAST,554LBS.....1	
2A	107574PGT	TUBE,CHASSIS SPACER PAINTED.....4 <i>standard</i>	
2B	120398GT	TUBE,CHASSIS SPACER <i>metric</i>	
3A	119815PGT	PLATE,WASHER,FLAT,RETAINING,PT...4 <i>standard</i>	
3B	120399GT	PLATE,WASHER,PLAT,RETAINING <i>metric</i>	
4	128066GT	SCREW, HHC, 1-8 X 4, GRID .2	

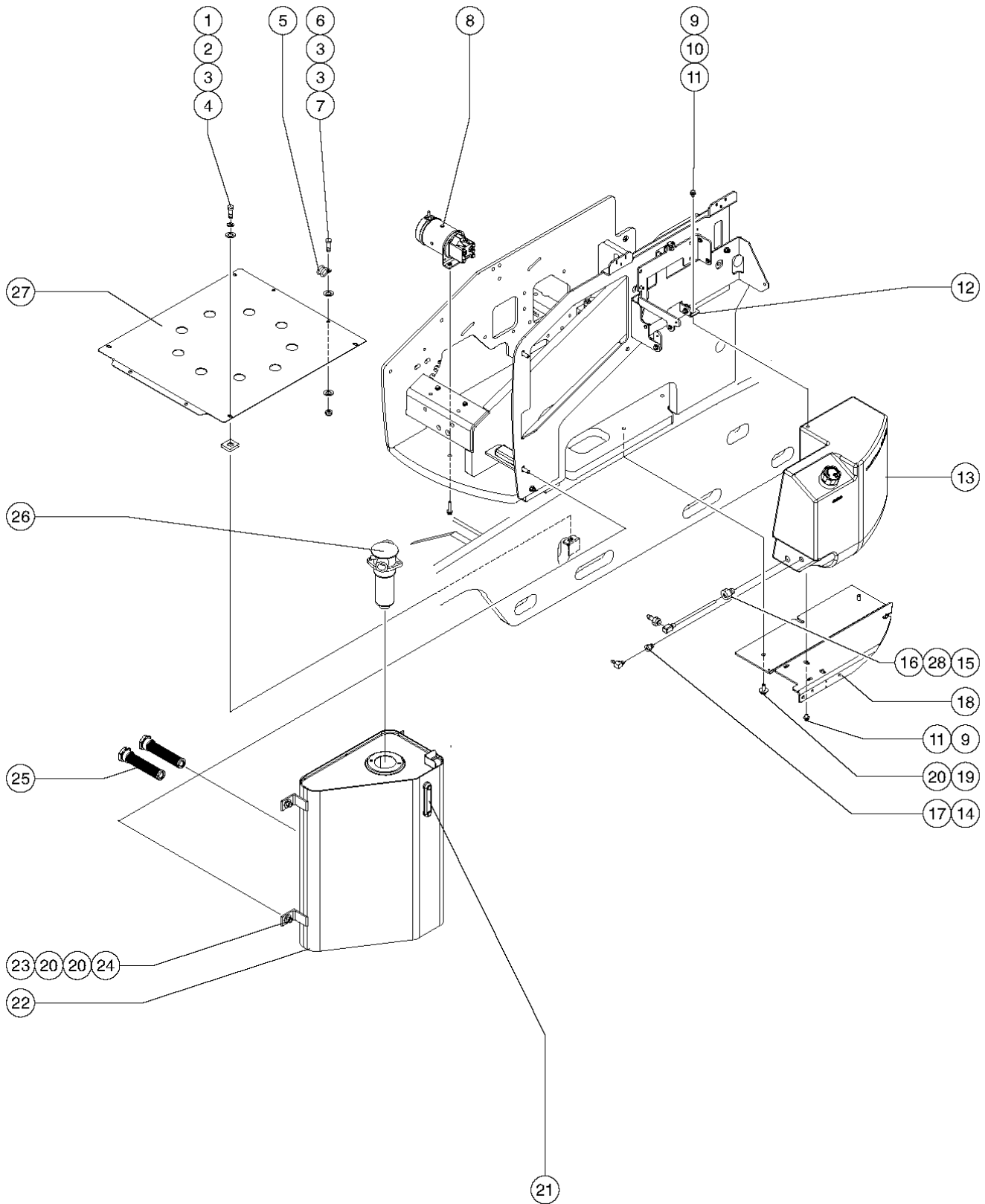
301.1 Turntable Rotator



301.1 Turntable Rotator

Item	Part No.	Description	Qty.	Item	Part No.	Description	Qty.
1A	74712GT	SCREW,SHC,5/8-11 X 2.75,A574.....12 <i>to SN 772</i>	12	--	147210GT	SEAL KIT,SWING DRIVE*** <i>for 147209; from SN Z513011B-655 to Z513014B-1202</i>	
1B	139861GT	SCREW,HHC,5/8-11 X 2.75 GR8 BO....12 <i>from SN 773</i>	12	--	147211GT	BRAKE KIT, SWING DRIVE <i>for 147209; from SN Z513011B-655 to Z513014B-1202</i>	
2	13064GT	WASHER,FLAT,.625 HARDENED.....36	36				
3A	21175GT	SCREW,SHC,5/8-11 X 4,A574.....6 <i>to SN 772</i>	6	--	147212GT	MANIFOLD KIT, SW DRIVE <i>for 147209; from SN Z513011B-655 to Z513014B-1202</i>	
3B	139865GT	SCREW,HHC,5/8-11 X 4.00 GR8 BO....6 <i>from SN 773</i>	6	--	220255GT	SEAL KIT,MANIFOLD TO MOTOR <i>for 147209; from SN Z513011B-655 to Z513014B-1202</i>	
4	8255GT	SCREW,HHC,3/8-16 X .75		--	48904GT	ELBOW,90D,520220-4-4 <i>not included, must order seperately</i>	
5	6021GT	WASHER,LOCK,.375		20C	824050GT	SWING DRIVE ASSEMBLY <i>from SN Z513014B-1203</i>	
6	107618PGT	BRACKET,DRIVE SENSOR,ENABLE PT.....1	1	--	48904GT	ELBOW,90D,520220-4-4 <i>not included, must order seperately</i>	
7	107993GT	HARNESS,IC FUNCTION MANIFOLD		--	824051GT	SEAL KIT, SWING DRIVE <i>for 824050; from Z513014B-1203</i>	
8	110160GT	HARNESS,LS,D.E. Z45.....1	1	--	824052GT	VALVE BLOCK, SWING DRIVE <i>for 824050; from SN Z513014B-1203</i>	
--	106427GT	LS ROT.HEAD W/O LEVER (ZCE01)		21	56680GT	SCREW,SHC,1/2-13 X 4.50 ZINC	
--	88366-11103GT	SWITCH,LIMIT,W/RLR ARM,NO/NC		22	107651GT	PROTECTOR,SLEW BOLT.....1	
--	97128GT	ROLLER ARM,LIMIT SWITCH***		23	54207PGT	BRACKET,GENERATOR MOUNT,PAINT.....1	
9	51063GT	SCREW,PHILLIPS,RHM,10-32 X 1.5		24	17712GT	SCREW,FHS,3/8-16 X 1.75	
10	6146GT	WASHER,FLAT,MS,#10,Y		25	5397GT	WASHER,FLAT,USS,5/16",Y	
11	6178GT	NUT,NYLOCK,10-32		26	4828GT	NUT,NYLOCK,3/8-16	
12	54145-800GT	RETAINING PIN, ASSY.....1	1	27	50519GT	LOAD PAD,ENGINE TRAY SUPPORT....1	
13	107619PGT	PLATE,SWING LOCK,PAINTED.....1	1	<b>Footnotes</b>			
14	6198GT	NUT,NYLOCK,1/2-13		<b>1:</b> The hose length reflects the length of the hose only. Refer to the 'Fittings Cross Reference' to match Genie part numbers to Parker part numbers.			
15	6095GT	WASHER,FLAT,USS,1/2",Y					
16	50576GT	SCREW,SHC,1/2-13 X 3.00					
17	101815GT	BEARING,SWING CHASSIS.....1	1				
--	88635-4024GT	HOSE ASSY 1/4,STR FEM,PIPETHRE..1 <b>1</b> Components: Genie part numbers 48805, 54954 and 48751 @ 38 inches	1				
18A	25067GT	SCREW,SHC,5/8-11 X 6.5.....16 <i>to SN 772</i>	16				
18B	139868GT	SCREW,HHC,5/8-11 X 6.50 GR8 BO....16 <i>from SN 773</i>	16				
19	107620GT	SPACER.SLEW RING,MACHINED.....1	1				
20A		Ref: Swing Drive Assy <i>77082 is no longer available; used to SN Z513011B-654</i>					
--	128446GT	MANIFOLD,TURNTABLE ROTATION*** <i>for 77082; to SN Z513011B-654</i>					
--	220255GT	SEAL KIT,MANIFOLD TO MOTOR <i>for 128446; to SN Z513011B-654</i>					
--	48904GT	ELBOW,90D,520220-4-4 <i>not included, must order seperately</i>					
--	77246GT	SEAL KIT,SWING MOTOR*** <i>for 77082; to SN Z513011B-654</i>					
20B		Ref: Swing Drive Assy.....1 <i>147209 is no longer available; used from SN Z513011B-655 to Z513014B-1202</i>	1				

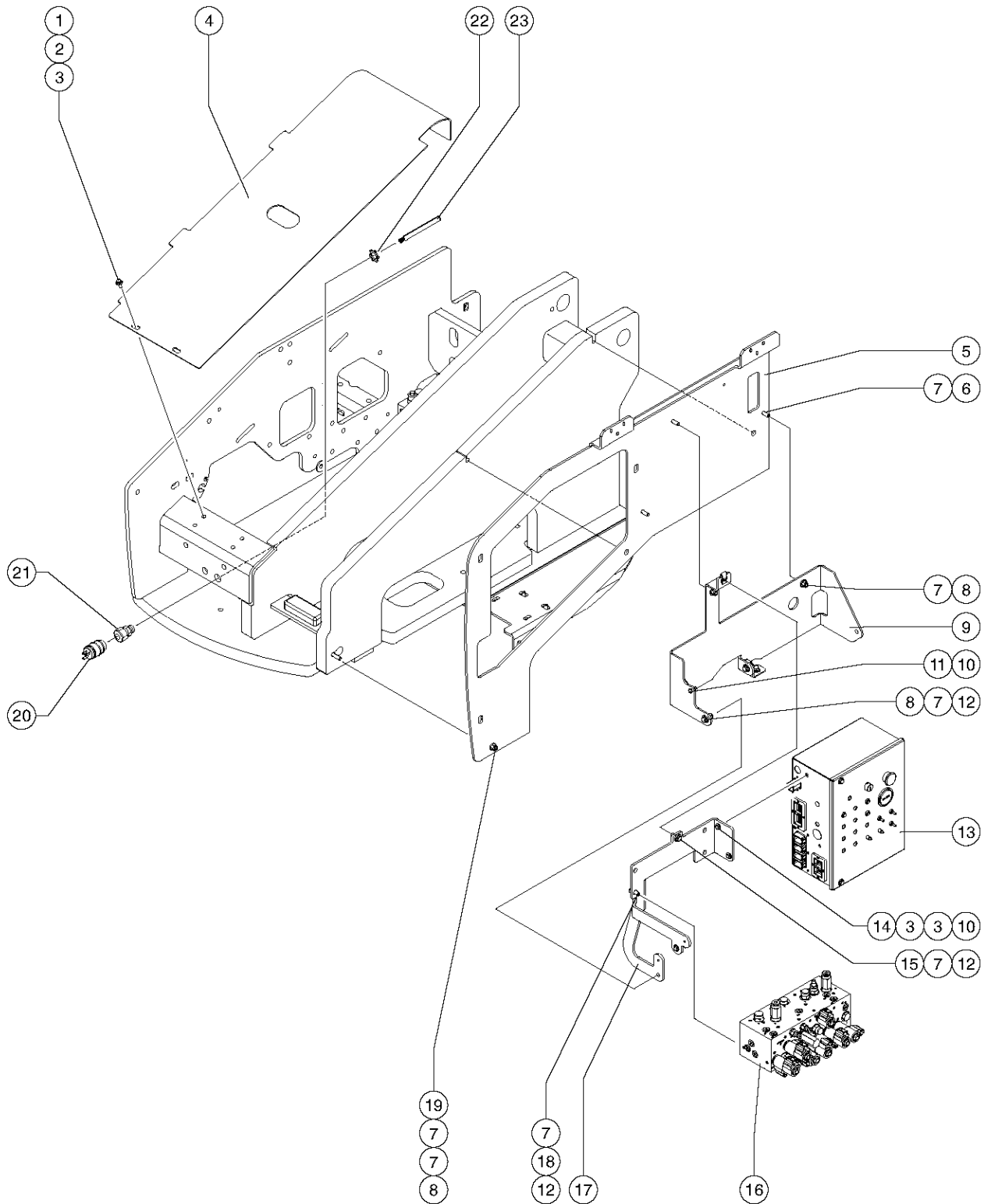
302.1 Fuel and Hydraulic Tanks



## 302.1 Fuel and Hydraulic Tanks

Item	Part No.	Description	Qty.
1	6888GT	SCREW,HHC,1/4-20 X 1	
2	6356GT	WASHER,LOCK,.25	
3	6638GT	WASHER,FLAT,USS,1/4"Y	
4	56912GT	SPRING CLIP,1/4-20,.025-.15X.54,ZAG	
5	13268GT	CLAMP,0.75,#12 X 1/4,RUB CUSH	
6	6090GT	SCREW,HHC,1/4-20 X .75	
7	6091GT	NUT,NYLOCK,1/4-20	
8	77066GT	ASSEMBLY, AUX POWER UNIT, 12VD.....1	
--	58490GT	PUMP ASSY (77066)	
--	77069GT	MOTOR,12VDC,77066	
--	77071GT	SOLENOID,77066	
--	77072GT	CHECK VALVE KIT,77066	
9	8255GT	SCREW,HHC,3/8-16 X .75	
10	6021GT	WASHER,LOCK,.375	
11	5397GT	WASHER,FLAT,USS,5/16",Y	
12	70602GT	BRACKET, ANGLE.....1	
13	119798GT	FUEL TANK ASSY, 17 GAL PLASTIC.....1 <i>includes items 15, 17 and 28</i>	
--	101726GT	CAP,FUEL,DIESEL,1/8"VENT(GRN)	
14	54204GT	ELBOW,90DEG.1/4MPT-1/4 BARB.....1	
15	54324GT	FITTING,BULKHEAD,3/8NPT,FUELTK....1	
16	54437GT	HOSE END,BARB,1/4 MNPTX5/16,ST....1	
17	54325GT	FITTING,BULKHEAD,1/4NPT,FUELTK....1	
18	50416PGT	PLATE,TANK SIDE,PAINTED.....1	
19	10597GT	SCREW,HHC,1/2-13 X 1.25 GR5	
20	6095GT	WASHER,FLAT,USS,1/2",Y	
21	21141GT	GAUGE-SIGHT,LHA-LGTB***.....1 <i>includes mounting fasteners</i>	
22	106065GT	TANK,HYDRAULIC ASSEMBLY***.....1	
23	6198GT	NUT,NYLOCK,1/2-13	
24	8177GT	SCREW,HHC,1/2-13 X 1.5	
25	147419GT	KIT,STRAINER REPLACEMENT.....2	
26A	110345GT	FILTER ASSY,INTANK.....1 <i>includes item 26B</i>	
--	147223GT	SEAL,FILTER LID	
26B	77353GT	KIT,ELEMENT**	
--	77354GT	FILTER LID,RFM165	
--	77365GT	BREATHER CAP,RFM165	
--	88917GT	FILTER,ELEMENT,BETA(10)=200	
--	94526GT	GASKET,RETURN FILTER-77353	
27	120269GT	FORMING,BELLY PAN.....1	
28	54333GT	TUBE,FUEL PICKUP,3/8NPTX1/4PT.....1	

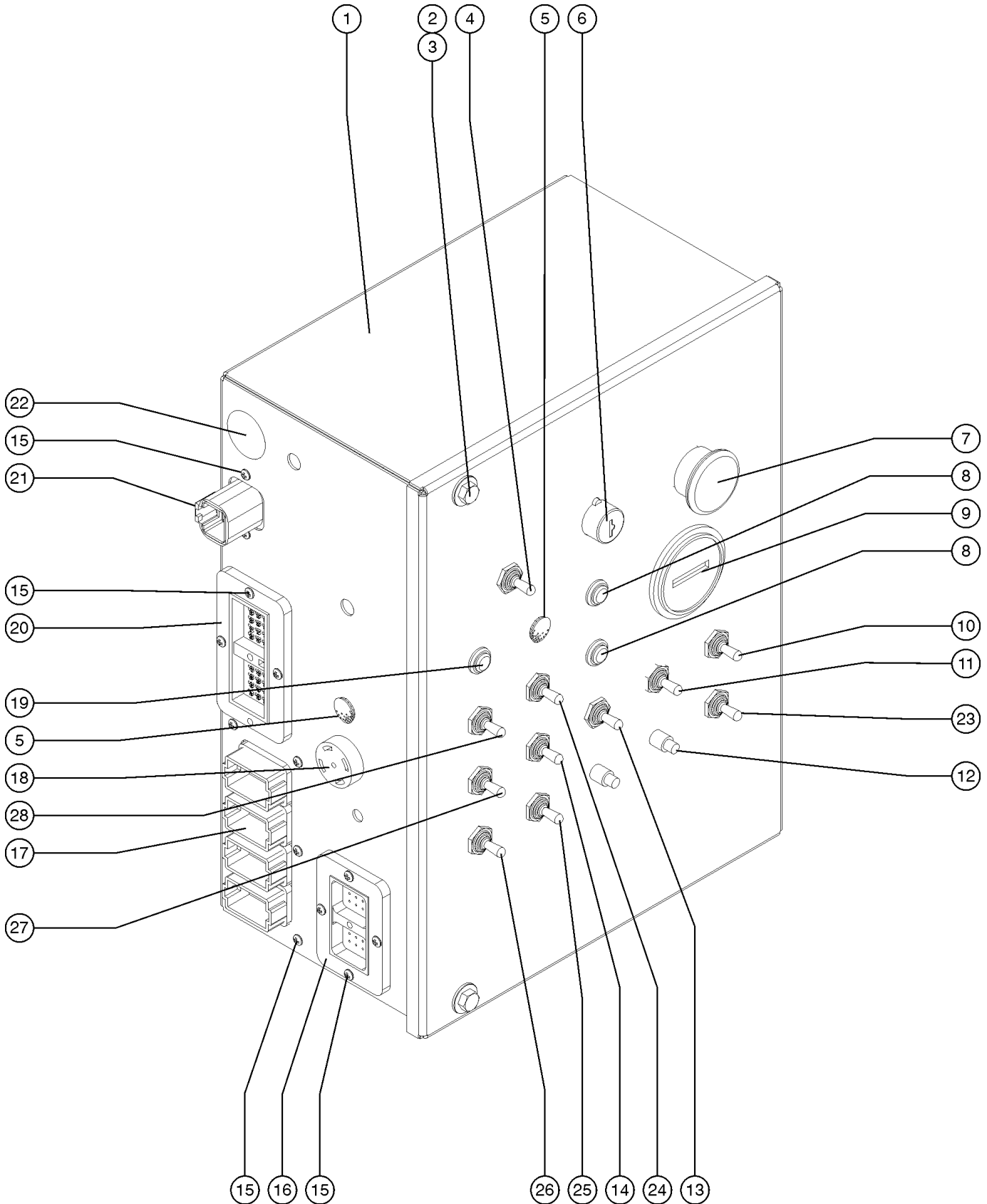
303.1 Function Manifold and Ground Control Box Placement



## 303.1 Function Manifold and Ground Control Box Placement

Item	Part No.	Description	Qty.
1	6888GT	SCREW,HHC,1/4-20 X 1	
2	6356GT	WASHER,LOCK,.25	
3	6638GT	WASHER,FLAT,USS,1/4"Y	
4	119784PGT	COVER,CENTER SWING CHASSIS,PTD	
5	70603PGT	BULKHEAD,TANK SIDE,PAINTED.....1	
6	6019GT	SCREW,HHC,3/8-16 X 1.25 GRD 5	
7	5397GT	WASHER,FLAT,USS,5/16",Y	
8	4828GT	NUT,NYLOCK,3/8-16	
9	70575PGT	COVER,MANIFOLD BOX MOUNT,PTD.....1	
10	6090GT	SCREW,HHC,1/4-20 X .75	
11	6091GT	NUT,NYLOCK,1/4-20	
12	6175GT	SCREW,HHC,3/8-16 X 1	
13		Ref. Ground Control Box (refer to 304.1 or 305.1)	
14	6889GT	NUT,LP NYLOCK,1/4-20	
15	29868GT	SPRING CLIP,3/8-16,.05-.20X.73,ZAG	
16		Ref. Function Manifold (refer to 702.1)	
17	70675PGT	BRACKET,MANIFOLD MOUNT PAINTED.....1	
18	6021GT	WASHER,LOCK,.375	
19	14033GT	SCREW,HHC,3/8-16 X 2.75	
20	119403GT	CONN,PLUG 120 AC/15A DOMESTIC...1	
--		FUSE,13 AMP,220V PLUG (component no longer available) refer to BS1362 BUSS TDC180-13A	
--	119404GT	CONN,RECEP 120AC/15A DOMESTIC female plug	
--	1280665GT	PLUG, TYPE F, 230A, 50HZ, 16A, IP44	
--	144161GT	PLUG,PWR,UK,16AMP,3PIN,BLK	
--	25388GT	PLUG,FUSED,250V,13AMP,U.K.**	
20B	128646GT	CORD AC IEC320-C19 TO 110UK.....1 UK	
--	139318GT	BUSHING,STRAIN RELIEF,.875/.30.....1	
20C	128645GT	CORD AC IEC320-C19 TO 220EU.....1 Europe	
--	139318GT	BUSHING,STRAIN RELIEF,.875/.30.....1	
21	7056GT	CONN. SQZ, 1/2 NPT .38-50, SM.....1	
22	6935GT	LOCKNUT,ELEC,1/2".....1	
23	43956GT	WIRE CABLE,14/3 CON.TPE JKT*	

304.1 Ground Control Box - View 1



304.1 Ground Control Box - View 1

Item	Part No.	Description	Qty.	Item	Part No.	Description	Qty.
1	101844GT	GROUND CONTROL BOX ASSY W/DEC*.....1		--	27246GT	BOOT,TOGGLE SWITCH,SHORT*	
--	88637GT	GASKET,GROUND CONTROL BOX***		14	128200GT	SWITCH TOGGLE ASSY SPDT 3P MOM.....1 <i>Jib Boom Up/Down; includes boot and hardware</i>	
2	6090GT	SCREW,HHC,1/4-20 X .75		--	128578GT	SCREW T-SWITCH PH/PH 6-32X1/4	
3	6638GT	WASHER,FLAT,USS,1/4"Y		--	128580-SGT	SWITCH TOGGLE SPDT 3P MOM SHDR	
4	128201GT	SWITCH TOGGLE ASSY DPDT 2P MOM.....1 <i>Auxiliary Power; includes boot and hardware</i>		--	27246GT	BOOT,TOGGLE SWITCH,SHORT*	
--	128578GT	SCREW T-SWITCH PH/PH 6-32X1/4		15	49820GT	SCREW,PHILLIPS,PHM,6-32 X .5.....16	
--	128581-SGT	SWITCH TOGGLE DPDT 2P MOM SHDR		16	73753GT	CONN,RECEP 24 WAY,W/FLANGE.....1	
--	27246GT	BOOT,TOGGLE SWITCH,SHORT*		--	101886GT	HARNESS,ENGINE,DEUTZ	
5	229567GT	PLUG,SANTOPRENE .5 BLACK DOME <i>from SN B706</i>		--	60757GT	PLUG,SEAL,12-18 GA	
5	45384GT	PLUG,NYLON .50 BLACK DOMED <i>from SN B101 to B705</i>		--	73714GT	TERM,NI SOC,S&F,16-18GA,REEL	
6A	96008-SGT	KEYSWITCH,3 POS. W/KEYS***.....1		--	73749GT	CONN,PLUG 24 WAY,DRC SERIES.....1	
--	94506GT	BASE,W/3 NC CONTACTS		17	73736GT	CONN,RECEP 48 WAY,4 X 12.....1	
6B	83131GT	KEYSWITCH,3 POS W/KEYS,LOCKING.....1		--	119061GT	CONN PLUG 12 WAY ENDCAP DT GY	
--	85239GT	NUT,RETAINER (96008)		--	119062GT	CONN PLUG 12 WAY ENDCAP DT BK	
7	66812GT	BUTTON,PUSH,RED MUSHROOM HEAD.....1		--	119063GT	CONN PLUG 12 WAY ENDCAP DT GR	
--	66818GT	CONTACT,NC		--	119064GT	CONN PLUG 12 WAY ENDCAP DT BR	
--	73805GT	BASE,W/2 NC CONTACTS*** <i>includes 2 N.C. contacts</i>		--	54255GT	LOCK,RECEP 12 WAY, 14-18GA	
8	824879GT	LIGHT,LED IND. RED 12V NH.....2		--	60435GT	LOCK,PLUG 12 WAY,14-18GA,GRN	
9	19506GT	HOUR METER,10-80 VOLTS***.....1 <i>includes mounting bracket</i>		--	61801GT	SEAL DT SERIES-12W	
10	128200GT	SWITCH TOGGLE ASSY SPDT 3P MOM.....1 <i>Glow Plug; includes boot and hardware</i>		--	88721-79200GT	HARNESS,18/19 BOOM CABLE #1	
--	128578GT	SCREW T-SWITCH PH/PH 6-32X1/4		--	88722-79200GT	HARNESS,18/19,BOOM CABLE #2	
--	128580-SGT	SWITCH TOGGLE SPDT 3P MOM SHDR		18	45462GT	ALARM,CHIME TONE 5-25VDC***.....1 <i>Does not include 72326 nut</i>	
--	27246GT	BOOT,TOGGLE SWITCH,SHORT*		--	72326GT	NUT - PLASTIC,RING FOR ALARMS	
11	128200GT	SWITCH TOGGLE ASSY SPDT 3P MOM.....3 <i>Engine Start; includes boot and hardware</i>		19	824879GT	LIGHT,LED IND. RED 12V NH	
--	128578GT	SCREW T-SWITCH PH/PH 6-32X1/4		--	229567GT	PLUG,SANTOPRENE .5 BLACK DOME <i>from SN B706</i>	
--	128580-SGT	SWITCH TOGGLE SPDT 3P MOM SHDR		--	45384GT	PLUG,NYLON .50 BLACK DOMED <i>from SN B101 to B705</i>	
--	27246GT	BOOT,TOGGLE SWITCH,SHORT*		--	56848GT	WASHER,LOCK,IND,LAMP RETAINER	
12	147094GT	ASSY, CIRCUIT BREAKER 15A.....2		20	73751GT	CONN,PLUG 40 WAY,DRC SERIES.....1	
13	128202GT	SWITCH TOGGLE ASSY DPDT 3P MOM.....4 <i>Secondary Boom Up/Down; includes boot and hardware</i>		--	107993GT	HARNESS,IC FUNCTION MANIFOLD	
--	128578GT	SCREW T-SWITCH PH/PH 6-32X1/4		--	73754GT	CONN,RECEP 40 WAY,W/FLANGE	
--	128582-SGT	SWITCH TOGGLE DPDT 3P MOM SHDR		21	60527GT	CONN,PLUG 4 WAY,12-14GA.....1	
				--	60526GT	LOCK,RECEP 4 WAY,12-14GA	
				--	60528GT	LOCK,PLUG 4 WAY,12-14GA	
				--	73717GT	CONN,RECEP 4 WAY,12-14GA FL***	
				--	88723-78200GT	HARNESS,12/3,12V TO PLAT.....1	
				22	15243GT	PLUG,NYLON .875 BLACK DOMED.....1	
				23	128200GT	SWITCH TOGGLE ASSY SPDT 3P MOM.....1 <i>Function Enable; includes boot and hardware</i>	

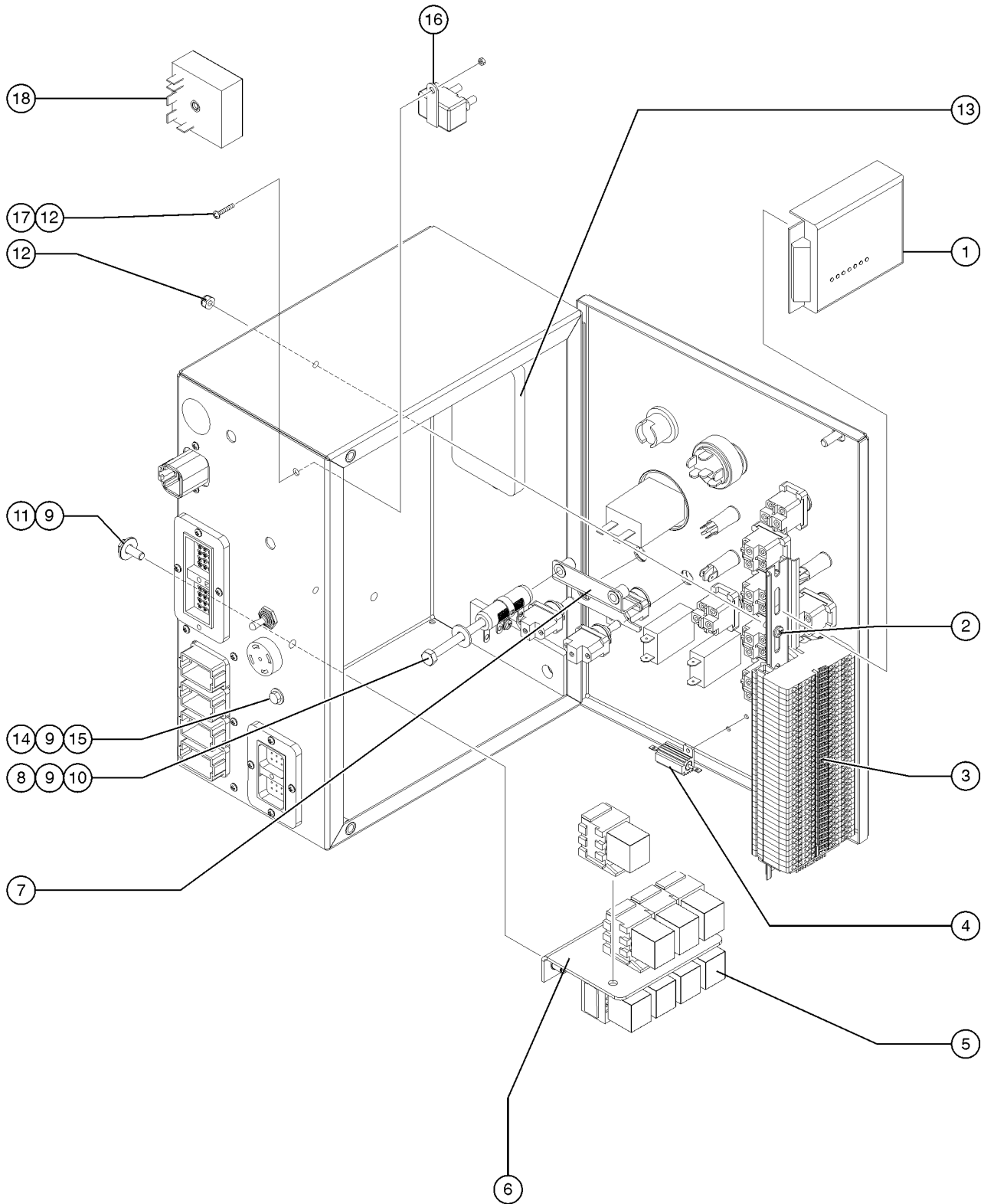


304.1 Ground Control Box - View 1  
(continued)

Item	Part No.	Description	Qty.
--	128578GT	SCREW T-SWITCH PH/PH 6-32X1/4	
--	128580-SGT	SWITCH TOGGLE SPDT 3P MOM SHDR	
--	27246GT	BOOT,TOGGLE SWITCH,SHORT*	
24	128200GT	SWITCH TOGGLE ASSY SPDT 3P MOM.....1 <i>Primary Boom Up/Down; includes boot and hardware</i>	
--	128578GT	SCREW T-SWITCH PH/PH 6-32X1/4	
--	128580-SGT	SWITCH TOGGLE SPDT 3P MOM SHDR	
--	27246GT	BOOT,TOGGLE SWITCH,SHORT*	
25	128200GT	SWITCH TOGGLE ASSY SPDT 3P MOM.....1 <i>Jib Boom Up/Down; includes boot and hardware</i>	
--	128578GT	SCREW T-SWITCH PH/PH 6-32X1/4	
--	128580-SGT	SWITCH TOGGLE SPDT 3P MOM SHDR	
--	27246GT	BOOT,TOGGLE SWITCH,SHORT*	
26	128200GT	SWITCH TOGGLE ASSY SPDT 3P MOM.....1 <i>Platform Rotate; includes boot and hardware</i>	
--	128578GT	SCREW T-SWITCH PH/PH 6-32X1/4	
--	128580-SGT	SWITCH TOGGLE SPDT 3P MOM SHDR	
--	27246GT	BOOT,TOGGLE SWITCH,SHORT*	
27	128202GT	SWITCH TOGGLE ASSY DPDT 3P MOM.....1 <i>Turntable Rotate; includes boot and hardware</i>	
--	128578GT	SCREW T-SWITCH PH/PH 6-32X1/4	
--	128582-SGT	SWITCH TOGGLE DPDT 3P MOM SHDR	
--	27246GT	BOOT,TOGGLE SWITCH,SHORT*	
28	128200GT	SWITCH TOGGLE ASSY SPDT 3P MOM.....1 <i>Primary Boom Ext/Ret; includes boot and hardware</i>	
--	128578GT	SCREW T-SWITCH PH/PH 6-32X1/4	
--	128580-SGT	SWITCH TOGGLE SPDT 3P MOM SHDR	
--	27246GT	BOOT,TOGGLE SWITCH,SHORT*	

***This Page Intentionally Left Blank***

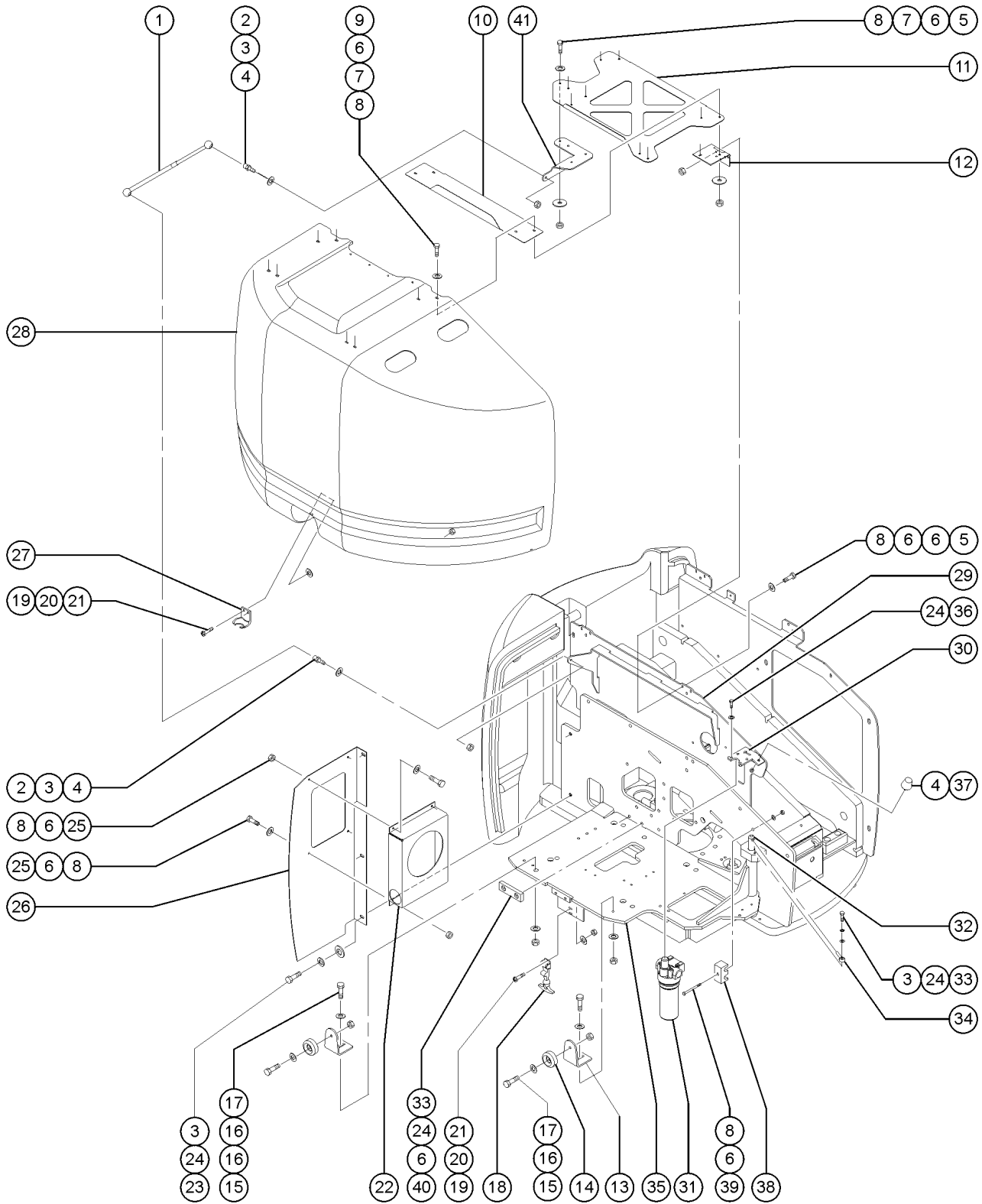
305.1 Ground Control Box - View 2



## 305.1 Ground Control Box - View 2

Item	Part No.	Description	Qty.
--	30997GT	CORROSION INHIBITOR,FOAM	
1	56057GT	MODULE,IGNITION/START,12/24V.....1	
2	49819GT	SCREW,PHILLIPS,PHM,10-32 X .5	
3	94593GT	ASSEMBLY,TERMINAL RAIL.....1	
--	216793GT	TERMINAL BLOCK END PLATE.....1	
--	74911GT	TERMINAL BLOCK, WIELAND***.....34	
--	74913GT	END STOP, DIN RAIL,SCREW CLAMP.....1	
--	74917GT	JUMPER COMB, 2-WAY,WIELAND.....1	
--	74920GT	MARKING TAGS,# 1-10,WIELAND	
--	74921GT	MARKING TAGS,# 11-20,WIELAND	
--	74922GT	MARKING TAGS,# 21-30,WIELAND	
--	74923GT	MARKING TAGS,# 31-40,WIELAND	
--	74924GT	MARKING TAGS,# 41-50,WIELAND**	
--	77430GT	CAPACITOR,3 MF,50VDC TB41	
4	89575GT	RESISTOR,7.5 OHM,25 WATT,1PCNT....1	
--	6272GT	RIVET,STL,STL,P,.125 X .25	
5	34052GT	RELAY,SPDT,12V(AUTO) PLUG IN**.....8	
--	34053GT	ASSY,RELAY SOCKET, AUTO	
--	34054GT	TERM,RELAY N-INSULATED 10-12 G	
--	34055GT	TERM RELAY,N-INSULATE 14-16 GA	
6	54534GT	ANGLE,RELAY MNT,W/NUTSERTS,PNT.....1	
--	23404GT	NUTSERT,1/4-20,STEEL CAD PLTD	
7	54525GT	BRACKET-PANEL-WIRE MOUNTING 99.....1	
--	23404GT	NUTSERT,1/4-20,STEEL CAD PLTD	
8	12343GT	SCREW,HHC,1/4-20 X 3	
9	6638GT	WASHER,FLAT,USS,1/4*Y	
10	101010GT	RESISTOR,20 OHMS,25W,ADJ***.....1	
11	8914GT	SCREW,HHC,1/4-20 X .625	
12	6178GT	NUT,NYLOCK,10-32	
13	128045GT	MODULE,LOAD SENSE 2007.....1	
14	6888GT	SCREW,HHC,1/4-20 X 1	
15	6091GT	NUT,NYLOCK,1/4-20	
16	128935GT	CIRCUIT BKR 10A TYPE 2 METAL.....1 from SN 504	
17	54365GT	SCREW,PHIL,PHM,10-32 X .5,SSTL from SN 504	
18	121846GT	RELAY,TIME DELAY,2 SEC,10A from SN 10B-524	

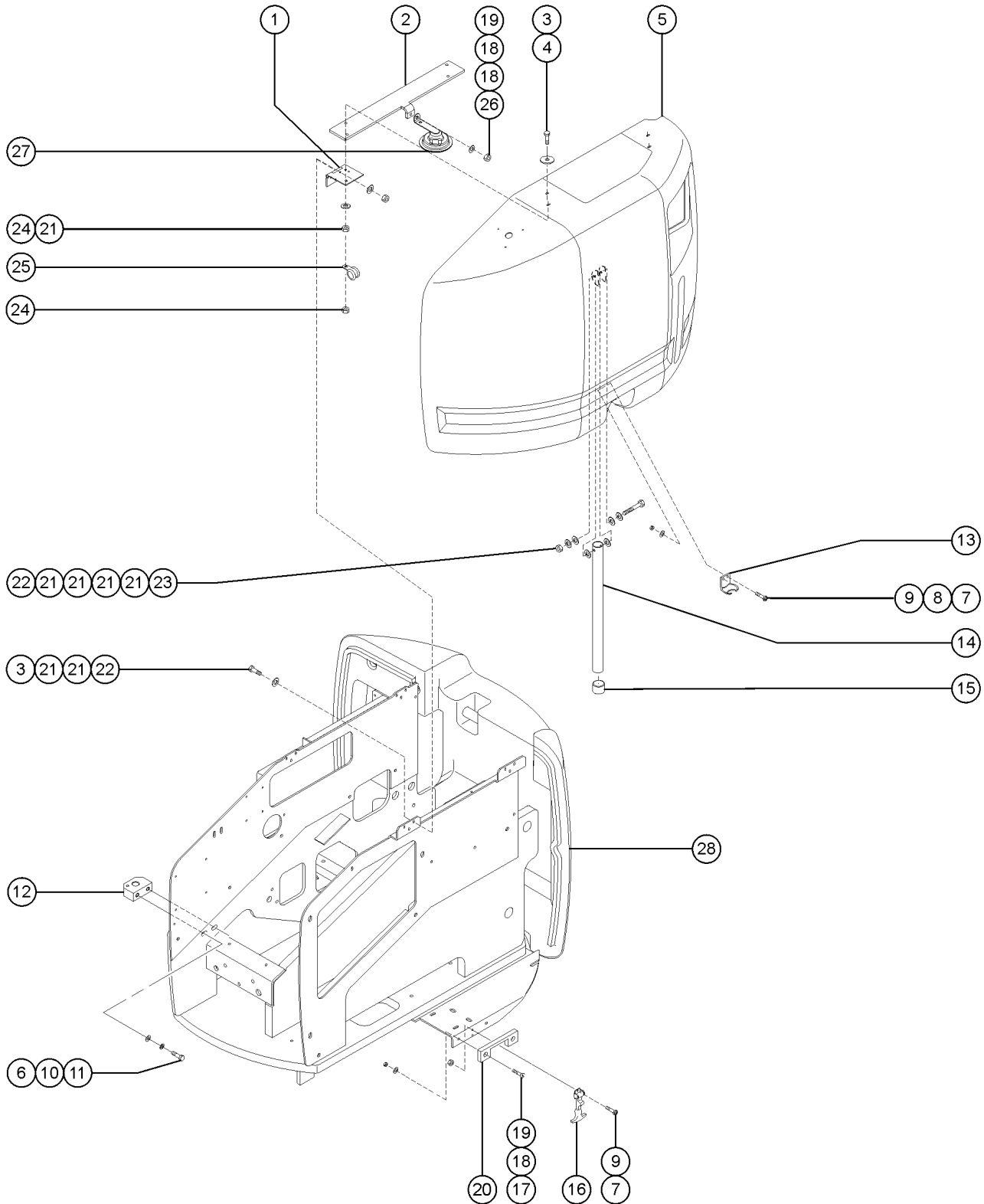
306.1 Turntable Covers, Engine Side



306.1 Turntable Covers, Engine Side

Item	Part No.	Description	Qty.	Item	Part No.	Description	Qty.
1	106069GT	STRUT,GAS,200 LB***.....	2	35		ASSEMBLY, ENGINE TRAY.....	1
--	27377GT	RETAINER,GAS SPRING***				<i>Refer to section 403.1</i>	
2	33555GT	BALL STUD**.....	2	36	8255GT	SCREW,HHC,3/8-16 X .75	
3	5397GT	WASHER,FLAT,USS,5/16",Y		37	30973GT	BUMPER,RUBBER-1 X 1.25.....	1
4	6782GT	NUT,NYLOCK,5/16-18		38	70606GT	BLOCK,CABLE CLAMP,2/0 DOUBLE....	4
5	6888GT	SCREW,HHC,1/4-20 X 1		39	4266GT	SCREW,HHC,1/4-20 X 2	
6	6638GT	WASHER,FLAT,USS,1/4"Y		40	30138GT	WEAR PAD,5 X 1.5 X .625 W/NUTS.....	1
7	12906GT	WASHER,FENDER,.25 X 1.25 X.062		41	110941PGT	FORMING,STRUT SUPPORT,PNTD.....	1
8	6091GT	NUT,NYLOCK,1/4-20					
9	8915GT	SCREW,HHC,1/4-20 X 1.25					
10	106676GT	FORMING,COVER PLATE.....	1				
11	110483PGT	FORMING,COVER SUPPORT,PNTD					
12	75073GT	HINGE,.375X.120THK.,SLOTTED.....	2				
13	54363GT	BRACKET,RUBBER BUMPER,ENGCOVER.....	2				
14	50974GT	BUMPER,RUBBER,COVERS.....	2				
15	13918GT	SCREW,HHC,3/8-16 X 1.75,GRD.8					
16	6097GT	WASHER,FLAT,USS,3/8",Y					
17	4828GT	NUT,NYLOCK,3/8-16					
18	45363GT	LATCH,FLEXIBLE.....	2				
19	75041GT	SCREW,PHILLIPS,PHM,10-32 X 1					
20	6146GT	WASHER,FLAT,MS,#10,Y					
21	6178GT	NUT,NYLOCK,10-32					
22	101137PGT	DUCT,AIR INTAKE PAINTED.....	1				
23	6175GT	SCREW,HHC,3/8-16 X 1					
24	6021GT	WASHER,LOCK,.375					
25	6090GT	SCREW,HHC,1/4-20 X .75					
26	50581PGT	PLATE,AIR INTAKE ADAPTER,PAINT....	1				
27	75076GT	KEEPER,LATCH (45363).....	1				
28A	119549GT	COVER,TRNTBL,LH,W/WORD DECALS*.....	1				
28B	119550GT	COVER,TRNTBL,LH,W/SYM DECALS					
28C	119411GT	COVER ASSY,IC,ENGINE SIDE <i>does not include decals, refer to section 1</i>					
29	119628GT	WELDMENT,BULKHEAD,ENG SIDE IC.....	1				
30	88269GT	BRACKET,HIGH PRESSURE FILTER.....	1				
31	60334GT	FILTER ASSY,HIGH PRESS SAE-12*.....	1				
--	58222GT	O-RING,FILTER ASSY (60334)***					
--	58223GT	SEAL,FILTER ASSY (60334)***					
--	60857GT	FILTER,ELEMENT,BETA(5)=1000					
32	107803GT	PIN,1.00DIA X 15.56LG,CHAMFER.....	1				
33	6019GT	SCREW,HHC,3/8-16 X 1.25 GRD 5					
34	25284GT	ROD END,.375 X 2.25***.....	1				

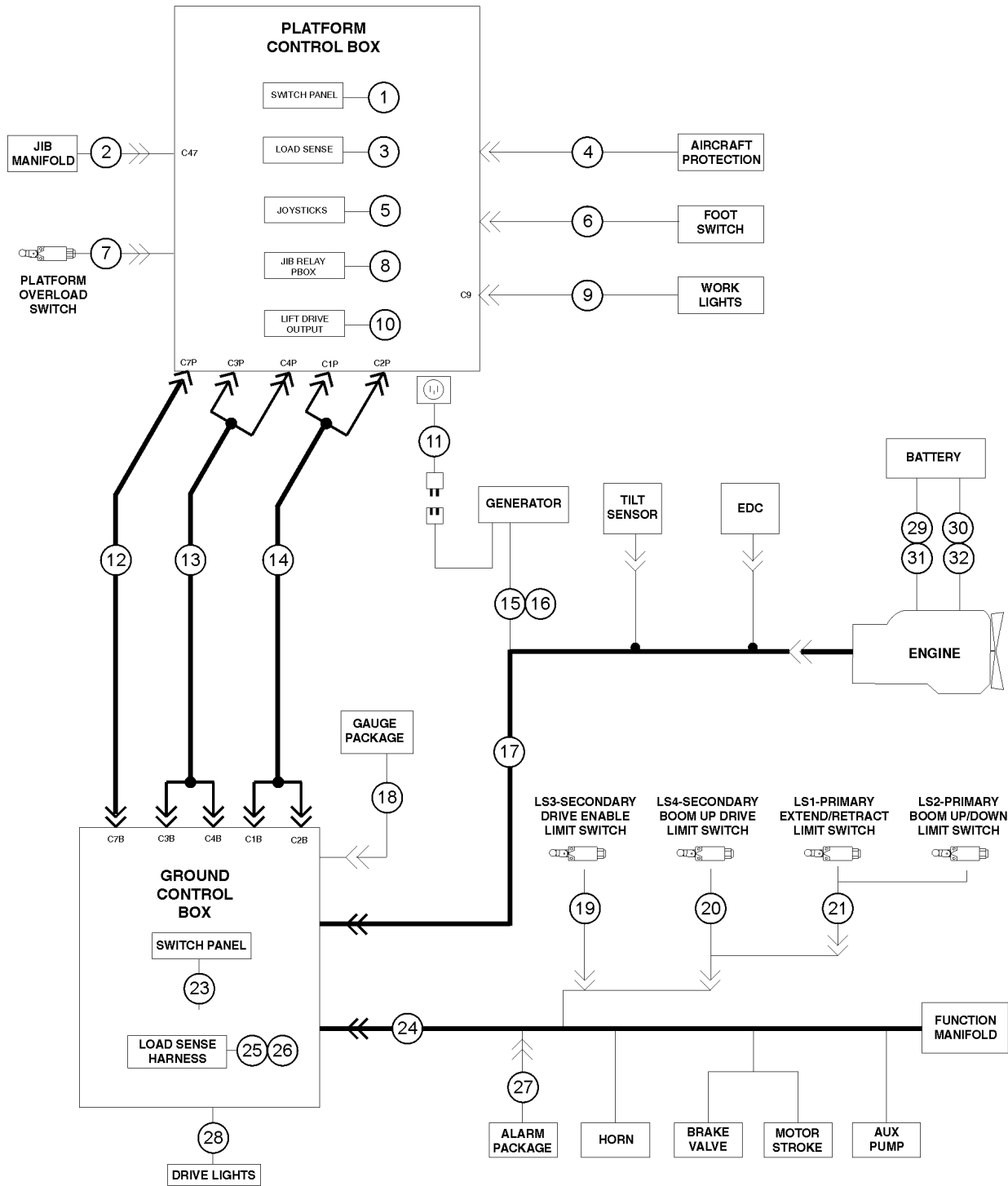
307.1 Turntable Covers, Tank Side



## 307.1 Turntable Covers, Tank Side

Item	Part No.	Description	Qty.
1	75073GT	HINGE,,.375X.120THK.,SLOTTED.....	2
2	50965PGT	PLATE,COVER SPACER,PAINTED.....	1
3	6145GT	SCREW,HHC,1/4-20 X 1.5	
4	12906GT	WASHER,FENDER,.25 X 1.25 X.062	
5A	52774-SGT	COVER ASSY.HYD.TANKSIDE,Z45/25.....	1
5B	101574GT	COVER,TRNTBL,RH,W/SYM DECALS	
5C	128029GT	COVER,TURNTABLE,RH,TANK SIDE (cover assembly without decals. For Australian models please refer to decal section)	
6	29883GT	SCREW,HHC,5/8-11 X 1.75 GRD.8.....	1
7	49816GT	SCREW,PHILLIPS,PHM,10-32 X .75	
8	6146GT	WASHER,FLAT,MS,#10,Y	
9	6178GT	NUT,NYLOCK,10-32	
10	6036GT	WASHER,LOCK,.625 PLTD.....	1
11	13064GT	WASHER,FLAT,.625 HARDENED.....	1
12	107805PGT	EAR, ENGINE TRAY PIVOT,PAINTED	
13	75076GT	KEEPER,LATCH (45363).....	1
14	77524GT	TUBE,PROP ROD,18.63",W/CAP..... <i>includes item 15</i>	1
15	55753GT	BUMPER, PLASTIC, 1.25 O.D.....	1
16	45363GT	LATCH,FLEXIBLE.....	1
17	17712GT	SCREW,FHS,3/8-16 X 1.75	
18	5397GT	WASHER,FLAT,USS,5/16",Y	
19	4828GT	NUT,NYLOCK,3/8-16	
20	54073GT	WEAR PAD,TANK SIDE BUMPER.....	1
21	6638GT	WASHER,FLAT,USS,1/4"Y	
22	6091GT	NUT,NYLOCK,1/4-20	
23	6884GT	SCREW,HHC,1/4-20 X 2.5	
24	6889GT	NUT,LP NYLOCK,1/4-20	
25	6833GT	CLAMP,0.50,#8 X 1/4,RUB CUSH	
26	6175GT	SCREW,HHC,3/8-16 X 1	
27	81578GT	HORN,12VDC,SPADE TERMINALS*** ....	1
28	60037GT	COUNTERWEIGHT,CAST,3500LBS.....	1
--	29605GT	WASHER,LOCK,1".....	4
--	38859GT	WASHER,FLAT,USS,1",Y.....	4
--	42078GT	SCREW,HHC,1-8 X 3 GRD.5.....	4

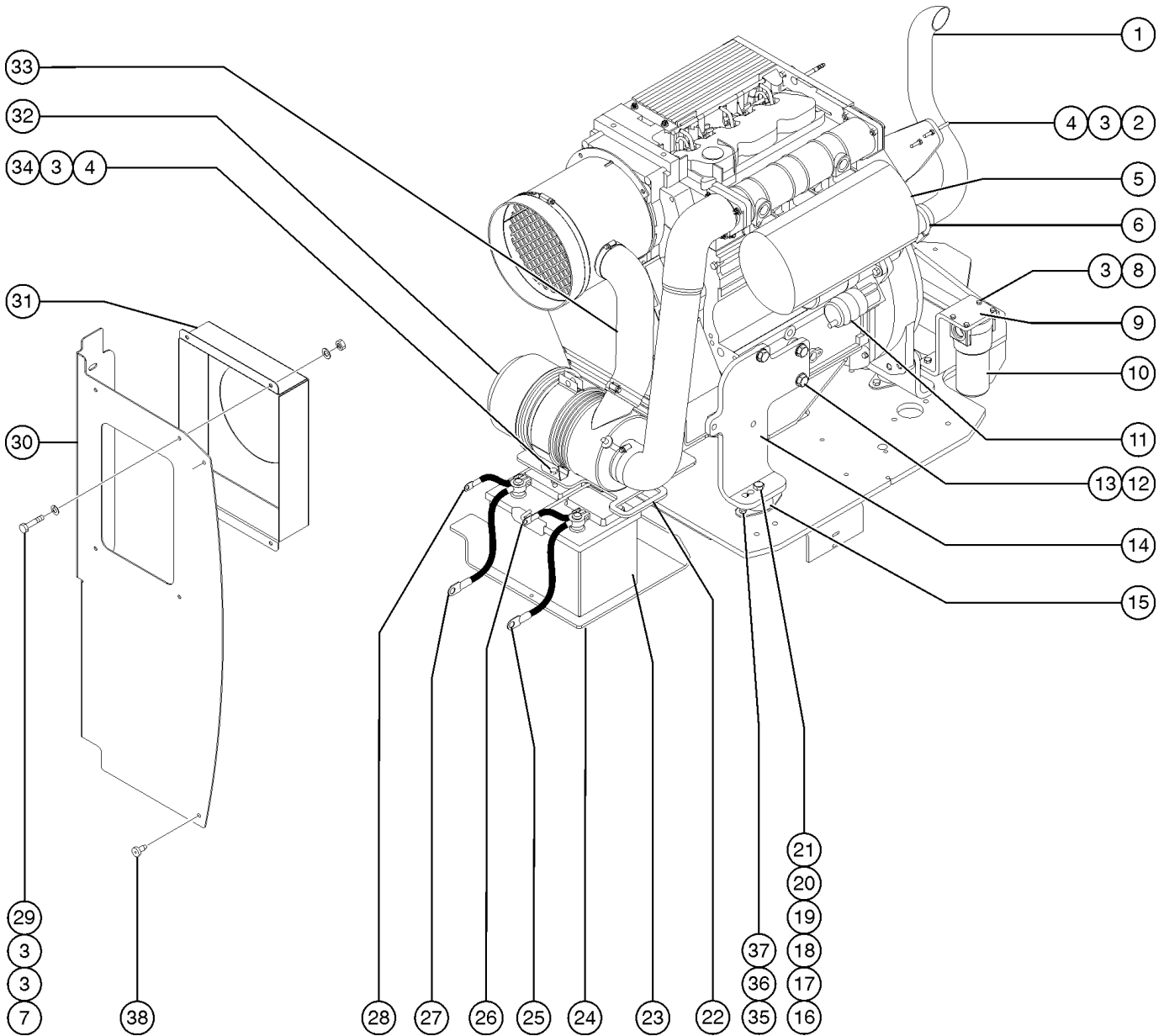
308.1 Wire Harness Diagram



308.1 Wire Harness Diagram

Item	Part No.	Description	Qty.	Item	Part No.	Description	Qty.
--	101191GT	WIRE LOOM,1"DIA.SLIT,HI TEMP <i>(from SN 379)</i>		32	70645GT	BATTERY CABLE,RED#2,5/16,5/16.....1	
--	28131GT	WIRE LOOM,1.25 DIA. <i>(from SN 101 to 378)</i>					
1	T108153GT	HARNESS KIT,Z45/51 PLAT BOX.....1					
--	119611GT	HARNESS,PBOX JOYSTICKS					
--	119612GT	HARNESS,PBOX WIRING***					
--	122125GT	ADAPTER CABLE, JS100 JOYSTICK					
2A	101080GT	HARNESS,JIB SELECT MANIFOLD.....1					
2B	119867GT	WIRING KIT,JIB TIME DELAY IC.....1					
--	19274GT	RELAY,SPDT,12V(AUTO)**					
--	43181GT	CAPACITOR,TIME DELAY					
3	147031GT	HARNESS, LOAD SENSE.....1					
4	228449GT	HARNESS,PROX KILL.....1					
5	119611GT	HARNESS,PBOX JOYSTICKS.....1					
6		Ref. Foot Switch.....1 <i>(refer to 601.1)</i>					
7	121848GT	ASSY,LS,LOAD SENSE,38.5 IN.....1					
8	77419GT	HARNESS,PLATFORM,Z45/25,IC,JIB.....1					
9		Ref. Work Lights.....1 <i>(refer to 902.1)</i>					
10	T108109GT	LIFT/DRIVE CUTOUT, Z45/Z51IC.....1					
11	43955GT	WIRE CABLE,12/3 CON.TPE JKT.....756-inches					
12	88723-78200GT	HARNESS,12/3,12V TO PLAT.....1					
13	88721-79200GT	HARNESS,18/19 BOOM CABLE #1.....1 <i>(green and brown connectors)</i>					
14	88722-79200GT	HARNESS,18/19,BOOM CABLE #2.....1 <i>(gray and black connectors)</i>					
15	106030GT	HARNESS, BD GEN.110V/60HZ Z45D...1					
16	106564GT	HARNESS,GEN GROUND.....1					
17	101886GT	HARNESS,ENGINE,DEUTZ.....1					
18	107551GT	HARNESS,GAUGE OPT.,Z45 DEUTZ.....1					
19	110160GT	HARNESS,LS,D.E. Z45.....1					
20	88724GT	HARNESS,LS,PRIM/EXT/SEC.....1					
21	88725GT	HARNESS,LS,PRIM/EXT.....1					
23	94682GT	HARNESS,BASE DD/PD.....1					
24	107993GT	HARNESS,IC FUNCTION MANIFOLD...1					
25	147225GT	S60 ASSEMBLY, GBOX.....1					
26	88832GT	HARNESS,PLUG,NON-LOAD WEIGHING.....1					
27	119985GT	HARNESS,ALARM OPTION,Z45.....1					
28	147532GT	HARNESS,DRIVE LIGHT OPTION.....1					
29	119803GT	BATTERY CABLE,1/0,BLACK,102".....1					
30	119802GT	BATTERY CABLE,1/0,RED,94".....1					
31	70646GT	BATTERY CABLE,BLK,#2,5/16,3/8*.....1					

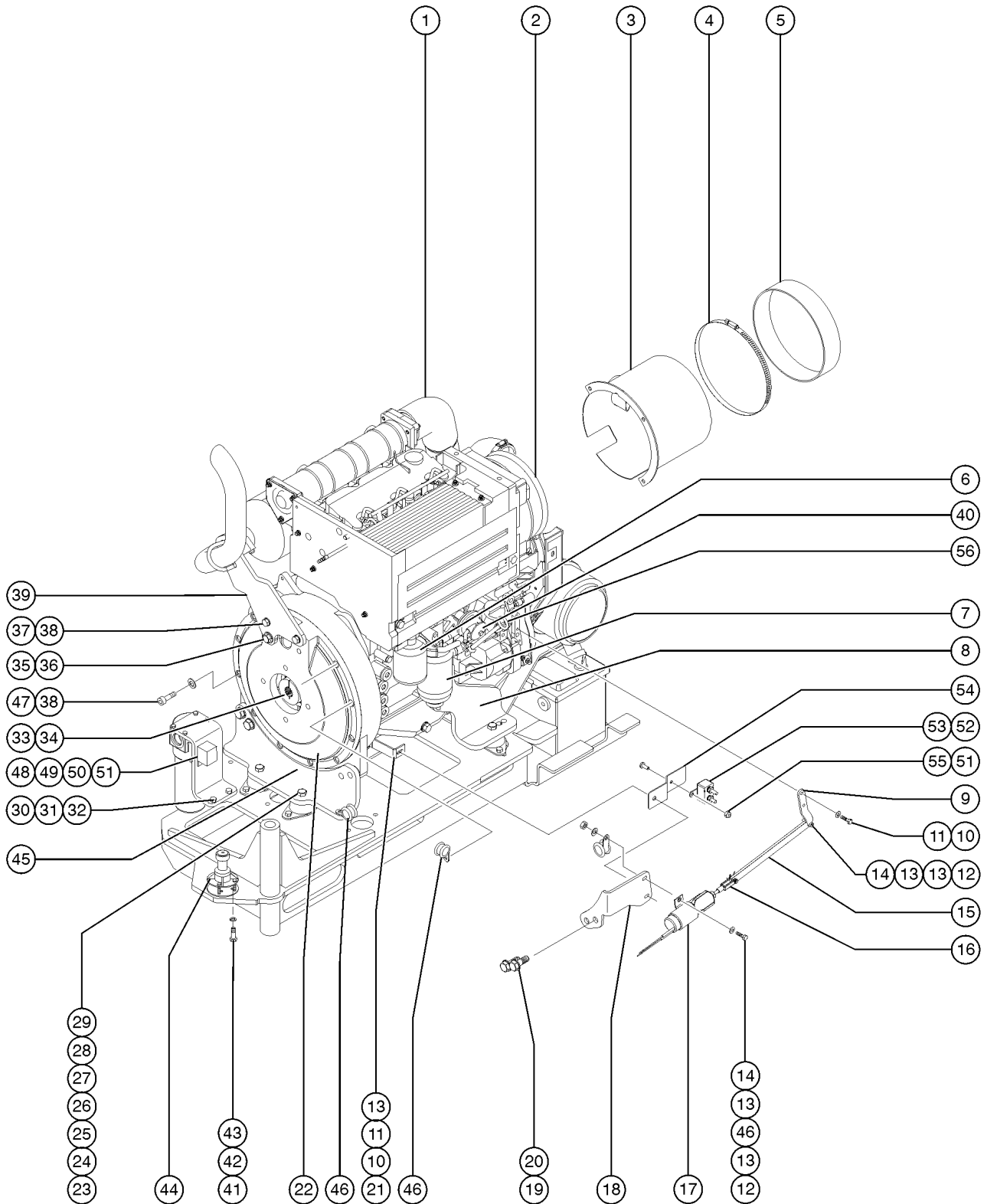
401.1 Deutz F3L 2011/ D2011L03i Engine - View 1



401.1 Deutz F3L 2011/ D2011L03i Engine - View 1

Item	Part No.	Description	Qty.	Item	Part No.	Description	Qty.
1	50761GT	EXHAUST PIPE,DEUTZ 3 CYL DSL.....1	1	24	54207PGT	BRACKET,GENERATOR MOUNT,PAINT.....1	1
2	16584GT	U-BOLT, KIT 5/16-18 X 2.5 ***		25		BATTERY CABLE,1/0,RED,105".....1 <i>Refer to section 403.1</i>	1
3	6638GT	WASHER,FLAT,USS,1/4"Y		26		WELDING CABLE #2 RED.....1 <i>Refer to section 403.1</i>	1
4	18503GT	NUT,LOCKING-LG.FLANGE,5/16-18		27		BATTERY CABLE,1/0,BLK,91".....1 <i>Refer to section 403.1</i>	1
5	32695GT	MUFFLER,DEUTZ.....1	1	28		WELDING CABLE #2 BLACK.....1 <i>Refer to section 403.1</i>	1
--	119117GT	MUFFLER,CAT/SPARK,DEUTZ <i>option</i>		29	6091GT	NUT,NYLOCK,1/4-20	
--	29559GT	GASKET,EXHAUST.....3 <i>for 119117, 3 required</i>	3	30	50581PGT	PLATE,AIR INTAKE ADAPTER,PAINT....1	1
--	54563GT	MUFFLER,SPARK ARRESTOR,DEUTZ <i>option</i>		31	101137PGT	DUCT,AIR INTAKE PAINTED.....1	1
--	70385GT	CLAMP,EXHAUST,2.00 PLATED <i>option</i>		32	63463GT	AIR CLEANER,NELSON***.....1	1
6	30438GT	CLAMP,MUFFLER,2 1/4" ID.....1	1	--	52866GT	EVACUATOR VALVE-AIR CLEANER	
7	6888GT	SCREW,HHC,1/4-20 X 1		--	53952GT	BRKT,AIR CLEANER ORIENTATION**	
8	6090GT	SCREW,HHC,1/4-20 X .75		--	62420GT	FILTER,AIR***	
9	50696PGT	BRACKET,MID PRES OIL FILTER,PA....1	1	33	101006GT	TUBE,AIR CLEANER INLET.....1	1
10		FILTER ASY,M PRESS,SAE8,WOIND* (77139).....1 <i>component no longer available</i>	1	34	13000GT	SCREW,HHC,5/16-18 X 1.25	
--	60857GT	FILTER,ELEMENT,BETA(5)=1000 <i>for 77139</i>		35	8516GT	SCREW,HHC,3/8-16 X 1.50,GR5	
10A	1267807GT	ASSEMBLY, MED. PRESS. FILTER,		36	6097GT	WASHER,FLAT,USS,3/8",Y	
--	1268229GT	ELEMENT-5 MIC, PAPER, W/BYPASS <i>for 1267807</i>		37	4828GT	NUT,NYLOCK,3/8-16	
11	139709GT	STARTER, 12V <i>9 tooth; inspect old starter before ordering</i>		38	34619GT	BUMPER,RUBBER***.....2	2
11	37950GT	STARTER,DEUTZ,F4L1011F/F3L1011...1 <i>11 tooth; inspect old starter before ordering</i>	1				
--	139621GT	KIT, HEAT GUARD, DEUTZ STARTER					
--	139622GT	HEAT SHIELD,DEUTZ STARTER <i>from SN 10B-589</i>					
--	49915GT	SOLENOID-STARTR DEUTZF4L1011F*					
12	22558GT	SCREW,HHC,M14 X 40MM,GR 8.8					
13	49411GT	WASHER,FLAT,M14					
14	70461PGT	FORMING,ENGINE MOUNT,FL PAINT*.....1	1				
15	70452GT	ISOLATOR,ENGINE VIBRATION***.....2	2				
16	8357GT	SCREW,HHC,1/2-13 X 3.5					
17	6095GT	WASHER,FLAT,USS,1/2",Y					
18	101730GT	SPACER,ENGINE MOUNT.....2	2				
19	101729GT	WASHER,VIBRATION ISOLATING.....2	2				
20	24040GT	WASHER,1/2 PLATE(1/2X2.25X3/16					
21	6198GT	NUT,NYLOCK,1/2-13					
22	101130PGT	Air Cleaner Bracket.....1	1				
23		BATTERY, 12V,900 CCA.....1 <i>Refer to section 403.1</i>	1				

402.1 Deutz F3L 2011/ D2011L03i Engine - View 2



402.1 Deutz F3L 2011/ D2011L03i Engine - View 2

Item	Part No.	Description	Qty.	Item	Part No.	Description	Qty.
--	89780GT	FUEL LINE, DEUTZ F3L 2011F		17	77402GT	SOLENOID,THROTTLE ACTUATOR DSL.....	1
--	89791GT	PUMP,INJECTION,DEUTZ F3L2011F <i>verify letter code (A, B, C or D) before ordering</i>		18	101129PGT	BRACKET,SOLENOID MOUNT PAINT....	1
--	89792GT	INJECTOR, FUEL(DEUTZ F3L2011F)		19	22558GT	SCREW,HHC,M14 X 40MM,GR 8.8	
--	102588GT	OIL TEMP SENSOR, DEUTZ F4L2011		20	49411GT	WASHER,FLAT,M14	
--	139624GT	SWITCH, OIL PRESSURE 1.5 BAR.....1 <i>(replaced 65765)</i>		21	77245PGT	BRACKET,SOLEN.MOUNT BRACE,PNTD.....	1
--	139666GT	KIT,OP SWITCH,DEUTZ <i>(oil pressure kit for models with ALC-500 control system. replaces 65765. includes item 139624 and instructions)</i>		22	70381GT	COVER,FLYWHEEL CASTING.....	1
--	T114678GT	SHUTDOWN SOLENOID,12V, DEUTZ....1 <i>(must order cable assembly, 58256, if replacing 32752) (includes o-ring)</i>		23	10598GT	SCREW,HHC,1/2-13 X 3	
--	58256GT	SOLENOID CABLE ASSY***		24	6095GT	WASHER,FLAT,USS,1/2",Y	
--	72255GT	CONNECTOR, DEUTZ FUEL SHUTOFF* <i>(does not include diode, 45782)</i>		25	70452GT	ISOLATOR,ENGINE VIBRATION*** .....	4
--	45782GT	DIODE,6 AMP,200 PIV,BULK		26	101730GT	SPACER,ENGINE MOUNT .....	4
1	70375GT	HOSE,AIR CLEANER.....	1	27	101729GT	WASHER,VIBRATION ISOLATING.....	4
2	35586GT	ALTERNATOR, DEUTZ F3L10/F4L10*....	1	28	24040GT	WASHER,1/2 PLATE(1/2X2.25X3/16	
--	32698GT	BELT,V, DEUTZ DIESEL ENGINE		29	6198GT	NUT,NYLOCK,1/2-13	
3	101140P-SGT	AIR INTAKE TUBE ASSY.....	1	30	8516GT	SCREW,HHC,3/8-16 X 1.50,GR5	
4	31523GT	CLAMP,HOSE,8.50 DIA*** .....	1	31	6097GT	WASHER,FLAT,USS,3/8",Y	
5	33239GT	SHEET,RUBBER,AIR INTAKE.....	1	32	4828GT	NUT,NYLOCK,3/8-16	
6	49924GT	FILTER,OIL,DEUTZ F4L1011F.....1 <i>Genie Genuine Part. See PN 1255653 for compatible aftermarket replacement.</i>		33	33024GT	FLYWHEEL FLANGE,GREEN PLASTIC.....	1
--	1255653GT	FILTER,OIL,DEUTZ,REPLACEMENT....1 <i>Genie Aftermarket Part. Compatible with Genie Genuine Part 49924.</i>		34	37003GT	COUPLER,HUB,15 TOOTH 7/16BOLT*.....	1
7	29560GT	FILTER,FUEL/WTR SEP, DTZ 1008.....1 <i>Genie Genuine Part. See PN 1254826 for compatible aftermarket replacement.</i>		--	128023GT	KIT,FBA STYLE COUPLER,SAE8 <i>replaces flex plate and coupler</i>	
--	1254826GT	FUEL FILTER W/SEP,DEUTZ,1008.....1 <i>Genie Aftermarket Part. Filter for Deutz F3L 1011F Engine.</i>		35	8177GT	SCREW,HHC,1/2-13 X 1.5	
8	70460PGT	FORMING,ENGINE MOUNT,FR PAINT* .....	1	36	6033GT	WASHER,LOCK,0.5"	
9	50787-SGT	LEVER, GOVERNOR ACTUATOR.....	1	37	67631GT	SCREW,HHC,M10 X 80 GR 8.8	
10	22578GT	SCREW,HHC,M6 X 20MM,GR8.8		38	22700GT	WASHER,LOCK,M10	
11	49407GT	WASHER,LOCK,M6		39	101138PGT	BRACKET,MUFFLER,DEUTZ 3 CYL PN.....	1
12	6584GT	SCREW,SHS,10-24 X .625		40	111668GT	PUMP,FUEL 2011 DEUTZ *** .....	1
13	25926GT	WASHER,FLAT,M6 PLTD.		--	119344GT	KIT,PRIMER BULB	
14	5365GT	NUT,NYLOCK,10-24		41		Ref. SCREW,HHC,1/4-20 X 1.25 <i>Refer to section 403.1</i>	
15	94485GT	THROTTLE LINKAGE,DIESEL*** .....	1	42		Ref. WASHER,FLAT,USS,1/4"Y <i>Refer to section 403.1</i>	
16	21130GT	CLEVIS YOKE-1/4-28,PLTD W/PIN <i>includes clevis pin and cotter pin</i>		43		Ref. NUT,NYLOCK,1/4-20 <i>Refer to section 403.1</i>	
				44		Ref. SENSOR,LEVEL.....1 <i>Refer to section 403.1</i>	
				45	101592GT	FORMING,ENGINE MOUNT,REAR.....	1
				46	45454GT	CLAMP,RUB CUSH,0.75,#12 X 3/8*.....	4
				47	61110GT	SCREW,SHC,M10X1.5X30 GR 12.9	
				48	61225GT	RELAY,12VDC,70AMP,SEALED.....	1
				49	49816GT	SCREW,PHILLIPS,PHM,10-32 X .75	
				50	6146GT	WASHER,FLAT,MS,#10,Y	

### 402.1 Deutz F3L 2011/ D2011L03i Engine - View 2 (continued)

Item	Part No.	Description	Qty.
51	6178GT	NUT,NYLOCK,10-32	
52	139331GT	KIT CB 10A T2 RPM SOLENOID 2W.....1 <i>Includes qty (1) item 51 and items 53-55 (if equipped); to SN 503</i>	
53	128935GT	CIRCUIT BKR 10A TYPE 2 METAL.....1 <i>to SN 503</i>	
54	139533GT	BRACKET, CIRCUIT BREAKER.....1 <i>to SN 503</i>	
55	54365GT	SCREW,PHIL,PHM,10-32 X .5,SSTL <i>to SN 503</i>	
56	147243GT	DIPSTICK, OIL, D2011.....1	
56A	139596GT	SERVICE KIT,DEUTZ DIPSTICK,Z45 <i>over-engine dipstick accessory kit</i>	
--	139595GT	DIPSTICK,INDICATOR,DEUTZ,Z45 <i>for use only after installation of 139596</i>	

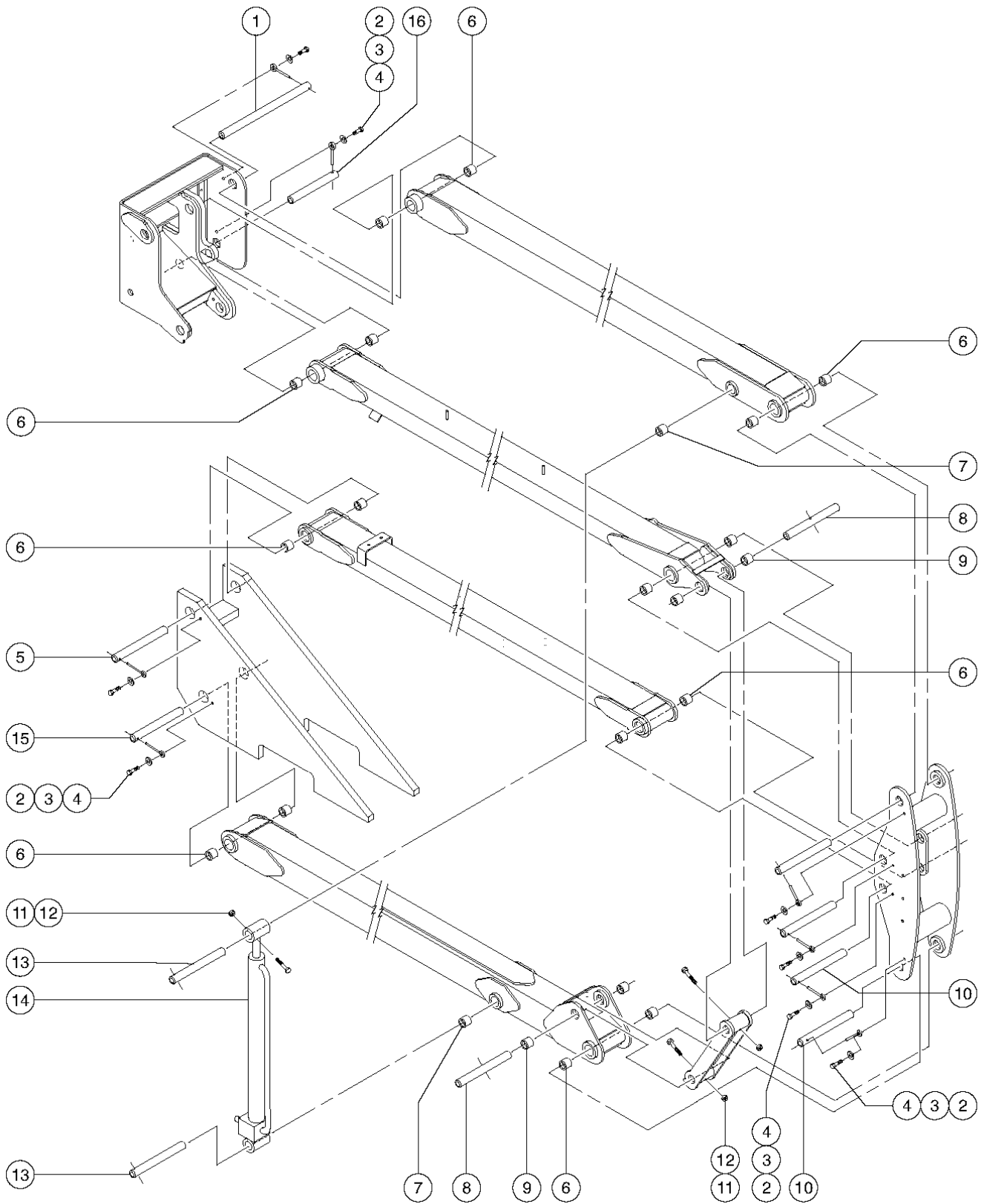
***This Page Intentionally Left Blank***



## 403.1 Engine Tray and Battery

Item	Part No.	Description	Qty.
1	6091GT	NUT,NYLOCK,1/4-20	
2	6638GT	WASHER,FLAT,USS,1/4"Y	
3	110382GT	LEVEL SENSOR,LS60,YL,2.5X4.5.....1 <i>European models</i>	
--	42439GT	SENSOR,LEVEL 3 DEG** <i>Australian models</i>	
4	8915GT	SCREW,HHC,1/4-20 X 1.25	
5	107807GT	ASSEMBLY, ENGINE TRAY.....1	
--	25817GT	BEARING,1.00IDX1.25ODX1.00L	
6	6145GT	SCREW,HHC,1/4-20 X 1.5	
7	54432GT	LANYARD,LYNCH PIN ASSY.....1	
8	54244-SGT	BRACKET,LATCH MOUNT,RH**.....1	
9	27126GT	LATCH,DRAW,ADJUSTABLE.....1	
10	18504GT	NUT,LOCKING-LG.FLANGE,1/4-20	
11	27506GT	THREADED ROD,(1/4-20),8.5"	
12	36872GT	BATTERY, 12V,900 CCA.....1	
13	T107827GT	BATTERY HOLD DOWN.....1	
14	119802GT	BATTERY CABLE,1/0,RED,94"	
15	70645GT	BATTERY CABLE,RED#2,5/16,5/16.....1	
16	119803GT	BATTERY CABLE,1/0,BLACK,102"	
17	70646GT	BATTERY CABLE,BLK,#2,5/16,3/8*.....1	

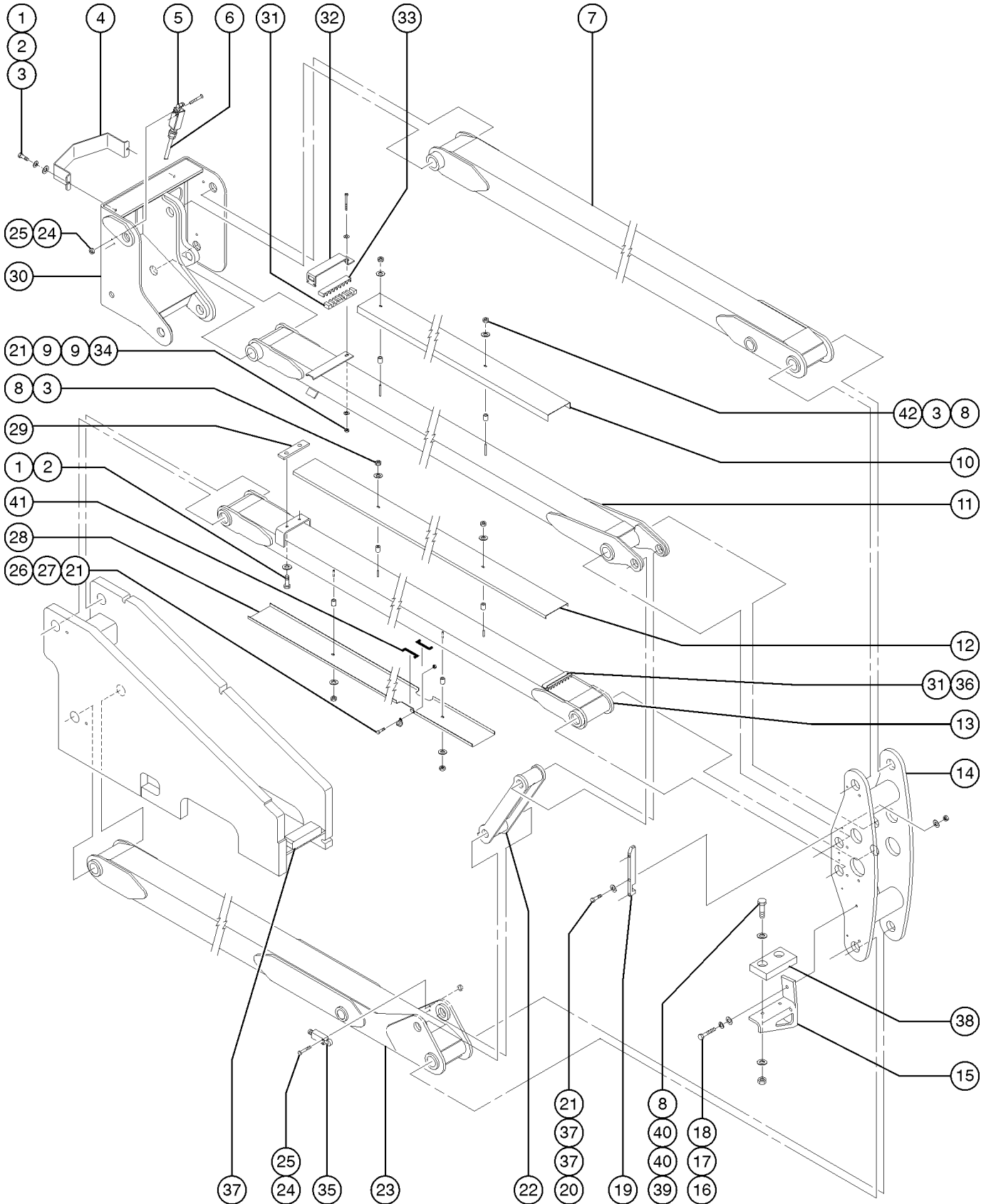
501.1 Boom Pins and Bearings



## 501.1 Boom Pins and Bearings

Item	Part No.	Description	Qty.
1	88676GT	PIN,2.00DIA X 24.00LG,CHAMFER***.....1	
2	8177GT	SCREW,HHC,1/2-13 X 1.5	
3	6033GT	WASHER,LOCK,0.5"	
4	1256267GT	ROD END,.5 X 3.75,ZAG	
5	107859GT	PIN,2.00DIA X 12.88LG,CHAMFER***.....1	
6	18720GT	BEARING,2.0IDX 2.25OD X 1.50L.....16	
7	45071GT	BEARING,1.5IDX 1.75OD X 1.5L.....2	
8	107727GT	PIN,1.50DIA X 7.50LG,1HOLE***.....2	
9A	54156GT	BEARING,FL,1.5IDX 1.75OD X 1.10LG.....4	
9B	1258159GT	KIT, BOOM BEARING.....1 <i>from SN Z513011B-661 to Z513013B-995</i>	
10	107588GT	PIN,2.00DIA X 10.88LG,CHAMFER.....4	
11	4828GT	NUT,NYLOCK,3/8-16	
12	6326GT	SCREW,HHC,3/8-16 X 3	
13	50455GT	PIN,1.50DIA X 13.88LG,2HOLE.....2	
14	88203GT	CYLINDER,ELEVATE,Z45/25***.....2	
--	77303GT	VALVE,CNTRBAL 3500PSI,ATM VEN	
--	77521GT	SEAL KIT,ELEVATE (88203)	
15	107590GT	PIN,2.00DIA X 12.88LG,CHAMFER***.....1	
16	107859GT	PIN,2.00DIA X 12.88LG,CHAMFER***.....1 <i>(replaced 107589)</i>	

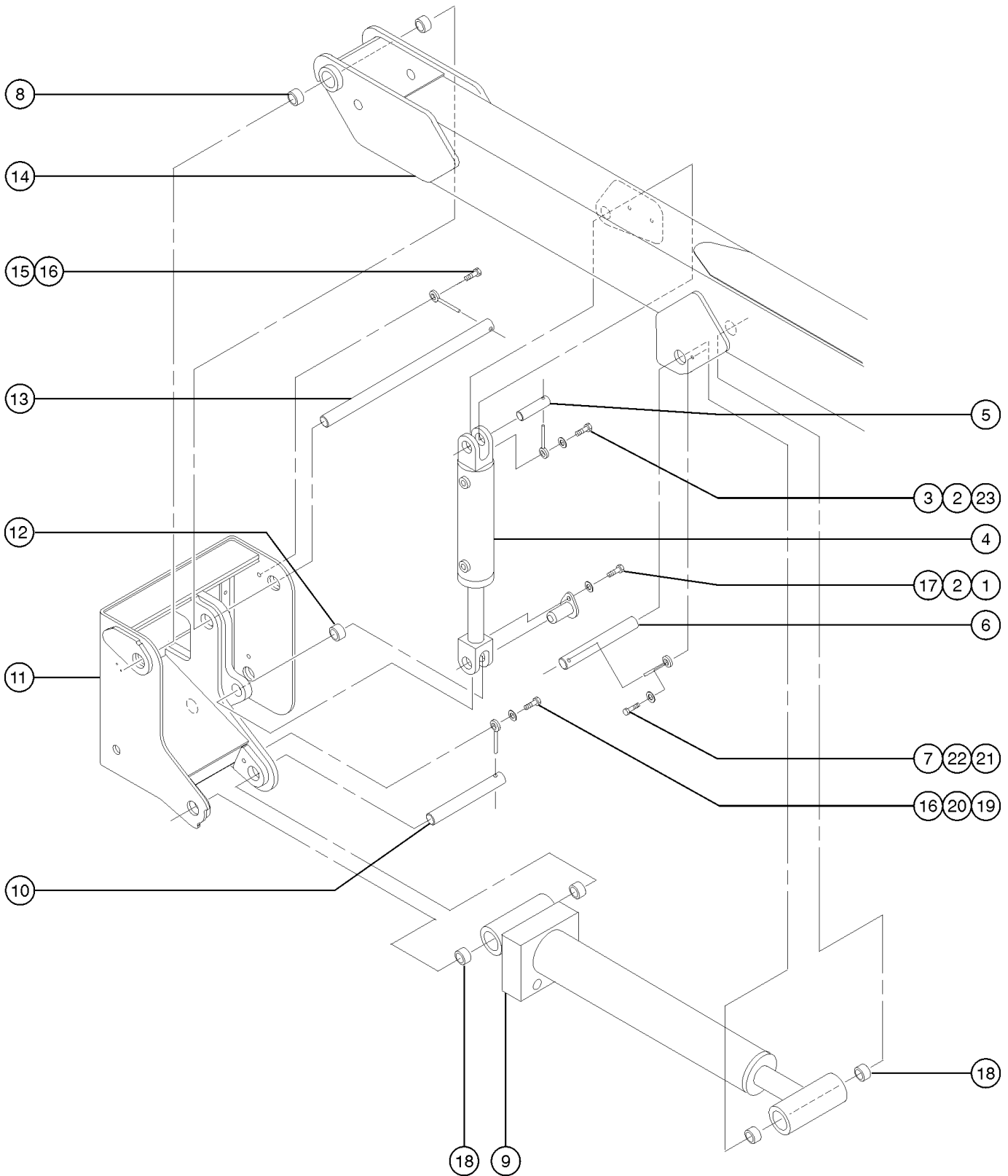
502.1 Boom Linkage



502.1 Boom Linkage

Item	Part No.	Description	Qty.	Item	Part No.	Description	Qty.
1	6175GT	SCREW,HHC,3/8-16 X 1		--	106427GT	LS ROT.HEAD W/O LEVER (ZCE01)	
2	6021GT	WASHER,LOCK,.375		--	97128GT	ROLLER ARM,LIMIT SWITCH***	
3	6097GT	WASHER,FLAT,USS,3/8",Y		36	70685PGT	FORMING, HOSE CLAMP, PAINTED	
4	237688GT	COVER, UPPER PIVOT.....1	1	37	56849GT	PAD,REST,1"THICK,W/STUDS*.....1	1
5	<del>88356</del> 11165GT	SWITCH,LIMIT,W/RLLR ARM,NO/NC*...1	1	38	54157GT	WEAR PAD,PRIMARY BOOM,JIB 5.5X3X1.....1	1
--	106427GT	LS ROT.HEAD W/O LEVER (ZCE01)		39	8516GT	SCREW,HHC,3/8-16 X 1.50,GR5	
--	97128GT	ROLLER ARM,LIMIT SWITCH***		40	5397GT	WASHER,FLAT,USS,5/16",Y	
6	43960GT	WIRE CABLE,16/4 CON.TPE JKT.....396-inches		41	1697-400GT	TRIMLOCK,BLACK,3/16 X 4 INCHES.....2	
7	110305GT	UPPER SECONDARY ARM ASSY-Z45**.....1	1	42	42941-75GT	HOSE,3/8",FUEL,30R7	
8	7713GT	NUT, LP NYLOCK, 3/8-16					
9	6638GT	WASHER,FLAT,USS,1/4"Y					
10	88370PGT	HOSE COVER,UPPER ARM,PAINTED					
11	110306GT	UPPER LEVEL ARM ASSY,SERV***.....1	1				
12	50517-SGT	HOSE COVER,LOWER LEVEL,TOP,PAI.....1	1				
13	110307GT	LOWER LEVEL ARM ASSY***.....1	1				
14	106972GT	WELDMENT,MID PIVOT,MACHINED***.....1 <i>European models</i>	1				
--	110310GT	MIDPIVOT ASSY Z45IC*** <i>Australian models</i>					
15	50952-SGT	BOOM REST WELDMENT.....1	1				
16	8177GT	SCREW,HHC,1/2-13 X 1.5					
17	6033GT	WASHER,LOCK,0.5"					
18	6095GT	WASHER,FLAT,USS,1/2",Y					
19	107881GT	WEAR PAD,MID PIVOT***.....1	1				
20	4266GT	SCREW,HHC,1/4-20 X 2					
21	6091GT	NUT,NYLOCK,1/4-20					
22	50479-SGT	CONNECTING LINK, Z45/25.....1	1				
23	110308GT	LOWER SECONDARY ARM ASSY***.....1	1				
24	54239GT	SCREW,PHILLIPS,PHM,10-32 X 2.0					
25	6178GT	NUT,NYLOCK,10-32					
26	7339GT	SCREW, HHC, 1/4-20 X .5					
27	6833GT	CLAMP,0.50,#8 X 1/4,RUB CUSH					
28	50548PGT	HOSE COVER,LOWER LEVEL,BOT,PAI.....1	1				
29	49772GT	WEAR PAD,6 X 1.5 X.50,W/INSERT.....1	1				
30		Ref. Upper Pivot Assembly <i>Ref. Upper Pivot Assembly</i>					
31	94529GT	CLAMPING BLOCK,HOSE***.....1	1				
32	94531PGT	BRACKET,HOSE CLAMP PAINTED***.....1	1				
33	94530GT	CLAMPING BLOCK,CABLE.....1	1				
34	6888GT	SCREW,HHC,1/4-20 X 1					
35	<del>88356</del> 11205GT	SWITCH,LIMIT,W/RLLR ARM NO/NC.....1	1				

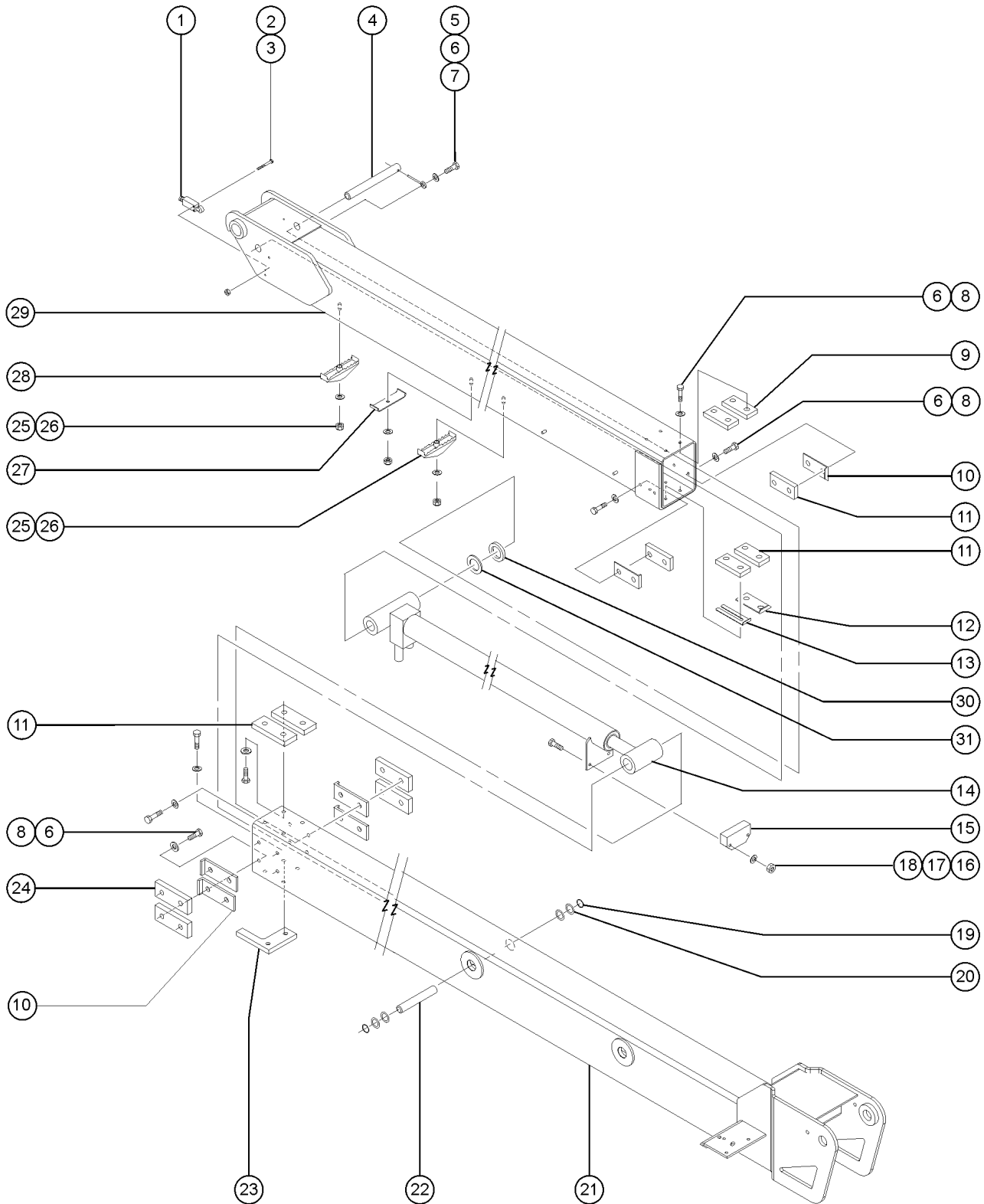
503.1 Upper Pivot Components



## 503.1 Upper Pivot Components

Item	Part No.	Description	Qty.
1	6175GT	SCREW,HHC,3/8-16 X 1	
2	6021GT	WASHER,LOCK,.375	
3	25284GT	ROD END,.375 X 2.25***	
4	77362GT	CYLINDER,MASTER,Z45***.....1	
--	77364GT	SEAL KIT,MASTER & SLAVE CYL	
5	34276GT	PIN,1.25DIA X 3.37LG,1HOLE.....1	
6	50542GT	PIN,1.75DIA X 9.25LG,1HOLE.....1	
7	45226GT	ROD END,.375 X 3.69	
8	18720GT	BEARING,2.0IDX2.25ODX1.50L.....2	
9	101775GT	CYLINDER,PRIMARY BOOM LIFT.....1 <i>includes item 18</i>	
--	101212GT	SEAL KIT (101775)***	
--	77014GT	VALVE,COUNTERBALANCE,3800 PSI	
10	70534GT	PIN,1.75DIA X 11.88LG,CHAMFER.....1	
11	110309GT	UPPER PIVOT W/BEARING-Z45/25**	
--	55753GT	BUMPER, PLASTIC, 1.25 O.D.	
12	30370GT	BEARING,1.25IDX1.5ODX1.00L.....1	
13	88676GT	PIN,2.00DIA X 24.00LG,CHAMFER***.....1	
14		Ref. Primary Boom Tube Assembly (refer to 504.1)	
15	10597GT	SCREW,HHC,1/2-13 X 1.25 GR5	
16	1256267GT	ROD END,.5 X 3.75,ZAG	
17	70671GT	PIN,1.25 DIA X 3.19 LG, PLATE.....1	
18	30221GT	BEARING,1.75IDX2.00ODX1.50LG.....4	
19	8177GT	SCREW,HHC,1/2-13 X 1.5	
20	6033GT	WASHER,LOCK,0.5"	
21	8516GT	SCREW,HHC,3/8-16 X 1.50,GR5	
22	4828GT	NUT,NYLOCK,3/8-16	
23	8255GT	SCREW,HHC,3/8-16 X .75	

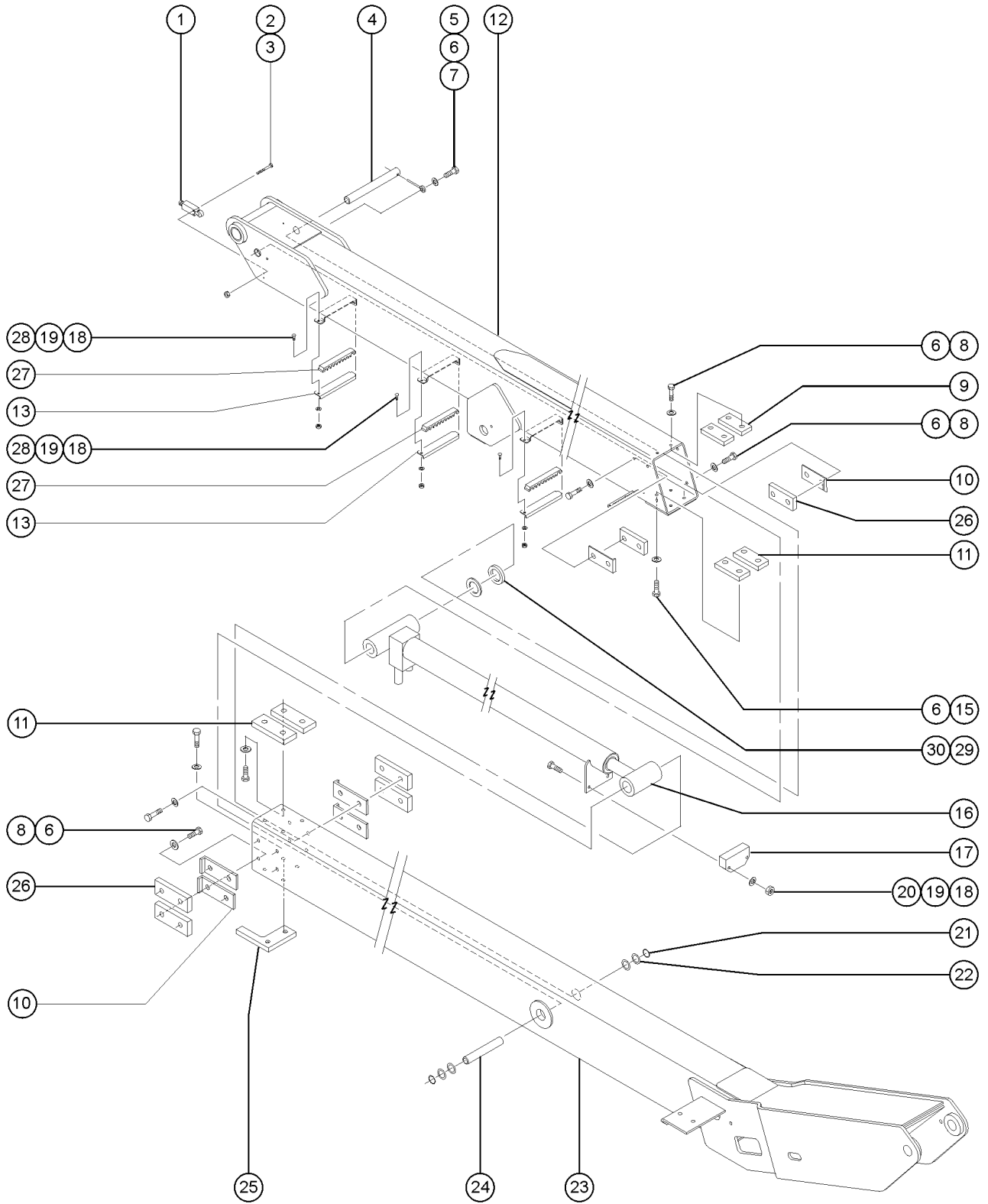
504.1 Primary and Extension Booms (to SN Z513011B-666)



## 504.1 Primary and Extension Booms (to SN Z513011B-666)

Item	Part No.	Description	Qty.
1	<del>88356</del> 11205GT	SWITCH,LIMIT,W/RLLR ARM NO/NC.....1	
--	97128GT	ROLLER ARM,LIMIT SWITCH***	
2	54239GT	SCREW,PHILLIPS,PHM,10-32 X 2.0	
3	6178GT	NUT,NYLOCK,10-32	
4	50584GT	PIN,1.25DIAX9.38LG,THREADED.....1	
5	6019GT	SCREW,HHC,3/8-16 X 1.25 GRD 5	
6	6021GT	WASHER,LOCK,.375	
7	45226GT	ROD END,.375 X 3.69	
8	8255GT	SCREW,HHC,3/8-16 X .75	
9	30138GT	WEAR PAD,5 X 1.5 X .625 W/NUTS.....2	
10	38620GT	SHIM,WEAR PAD,5 X 1.5,14GA	
11	34125GT	WEAR PAD,5 X 1.5 X .75 W/NUTS.....4	
12	38620GT	SHIM,WEAR PAD,5 X 1.5,14GA	
13	29080GT	SHIM,WEAR PAD,5X 1.5 16GA	
14	101523GT	CYLINDER,PRIMARY EXTENSION.....1	
--	101213GT	SEAL KIT (101523)***	
--	54063GT	VALVE,CB.CBBC-LHN@1000***	
--	77410GT	VALVE,COUNTERBALNCE,1500 PSI**	
15	50698GT	WEAR PAD,EXTENSION CYLINDER.....1	
16	6091GT	NUT,NYLOCK,1/4-20	
17	6638GT	WASHER,FLAT,USS,1/4"Y	
18	6637GT	SCREW,HHC,1/4-20 X 1.75	
19	824164GT	SNAP RING,EXTERNAL,1.25,ZAG	
20	30255GT	WASHER,SHIM,1.27 X 2.13 X .062	
21	119652GT	WELDMNT,EXTENSION BOOM,JIB,Z51.....1	
22	50546GT	PIN,1.25DIAX6.36LG,2RING.....1	
23	50552GT	WEAR PAD,EXTENSION BOOM.....1	
24	30138GT	WEAR PAD,5 X 1.5 X .625 W/NUTS.....4	
25	4828GT	NUT,NYLOCK,3/8-16	
26	6097GT	WASHER,FLAT,USS,3/8",Y	
27	54530GT	CLAMP,HOSE,ALUMINUM.....1	
28	77106GT	CLAMP,CABLE & HOSE,PLASTIC.....2	
29	110386GT	PRIMARY BOOM ASSY,Z51.....1	
30	77376GT	SPACER,NYLON,2.00 X 1.33 X.310.....1	
31	77375GT	SPACER,NYLON,2.01 X 1.28 X.135.....1	

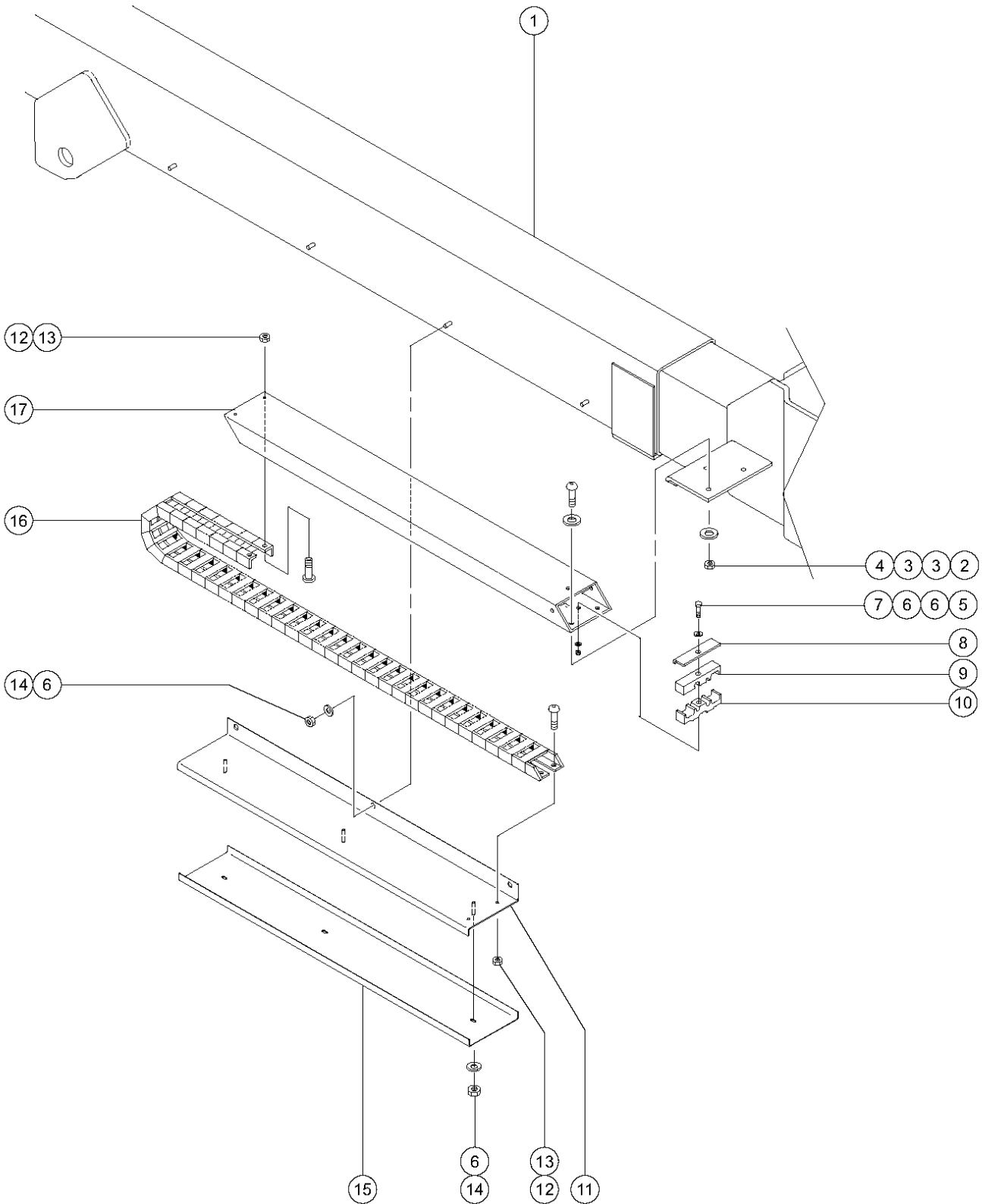
504.2 Primary and Extension Booms (from SN Z513011B-667)



## 504.2 Primary and Extension Booms (from SN Z513011B-667)

Item	Part No.	Description	Qty.
1	<del>88356</del> 11205GT	SWITCH,LIMIT,W/RLLR ARM NO/NC.....1	
--	97128GT	ROLLER ARM,LIMIT SWITCH***	
2	54239GT	SCREW,PHILLIPS,PHM,10-32 X 2.0	
3	6178GT	NUT,NYLOCK,10-32	
4	50584GT	PIN,1.25DIAX9.38LG,THREADED.....1	
5	6019GT	SCREW,HHC,3/8-16 X 1.25 GRD 5	
6	6097GT	WASHER,FLAT,USS,3/8",Y	
7	45226GT	ROD END,.375 X 3.69	
8	8255GT	SCREW,HHC,3/8-16 X .75	
9	34125GT	WEAR PAD,5 X 1.5 X .75 W/NUTS.....2 <i>Z-45/25J</i>	
10	38620GT	SHIM,WEAR PAD,5 X 1.5,14GA	
11	34125GT	WEAR PAD,5 X 1.5 X .75 W/NUTS.....4	
12	1257052GT	ASSEMBLY,PRIMARY BOOM,Z45 JIB <i>Z-45/25J</i>	
13	128995GT	FORMING, HOSE CLAMP RETAINER....3	
14	54157GT	WEAR PAD,PRIMARY BOOM,JIB 5.5X3X1.....1 <i>Z-45/25J only</i>	
15	13918GT	SCREW,HHC,3/8-16 X 1.75,GRD.8 <i>Z-45/25J</i>	
16	54569GT	CYLINDER,EXTEND,Z45J***.....1 <i>Z-45/25J</i>	
--	54063GT	VALVE,CB.CBBC-LHN@1000***	
--	65790GT	SEAL KIT CYL.Z45(54569)	
--	77410GT	VALVE,COUNTERBALNCE,1500 PSI**	
17	50698GT	WEAR PAD,EXTENSION CYLINDER.....1	
18	6091GT	NUT,NYLOCK,1/4-20	
19	6638GT	WASHER,FLAT,USS,1/4"Y	
20	6637GT	SCREW,HHC,1/4-20 X 1.75	
21	824164GT	SNAP RING,EXTERNAL,1.25,ZAG	
22	30255GT	WASHER,SHIM,1.27 X 2.13 X .062	
23	128304GT	WELDMENT,EXT. BOOM,Z45 JIB <i>Z-45/25J</i>	
24	50546GT	PIN,1.25DIAX6.36LG,2RING.....1	
25	50552GT	WEAR PAD,EXTENSION BOOM.....1	
26	30138GT	WEAR PAD,5 X 1.5 X .625 W/NUTS.....8	
27	128601GT	CLAMP, PRI, HOSE/CABLE, Z45/51	
28	79456GT	BOLT,CARRIAGE,1/4-20 X 1.00,G2 <i>Z-45/25J</i>	
29	77376GT	SPACER,NYLON,2.00 X 1.33 X.310.....1	
30	77375GT	SPACER,NYLON,2.01 X 1.28 X.135.....1	

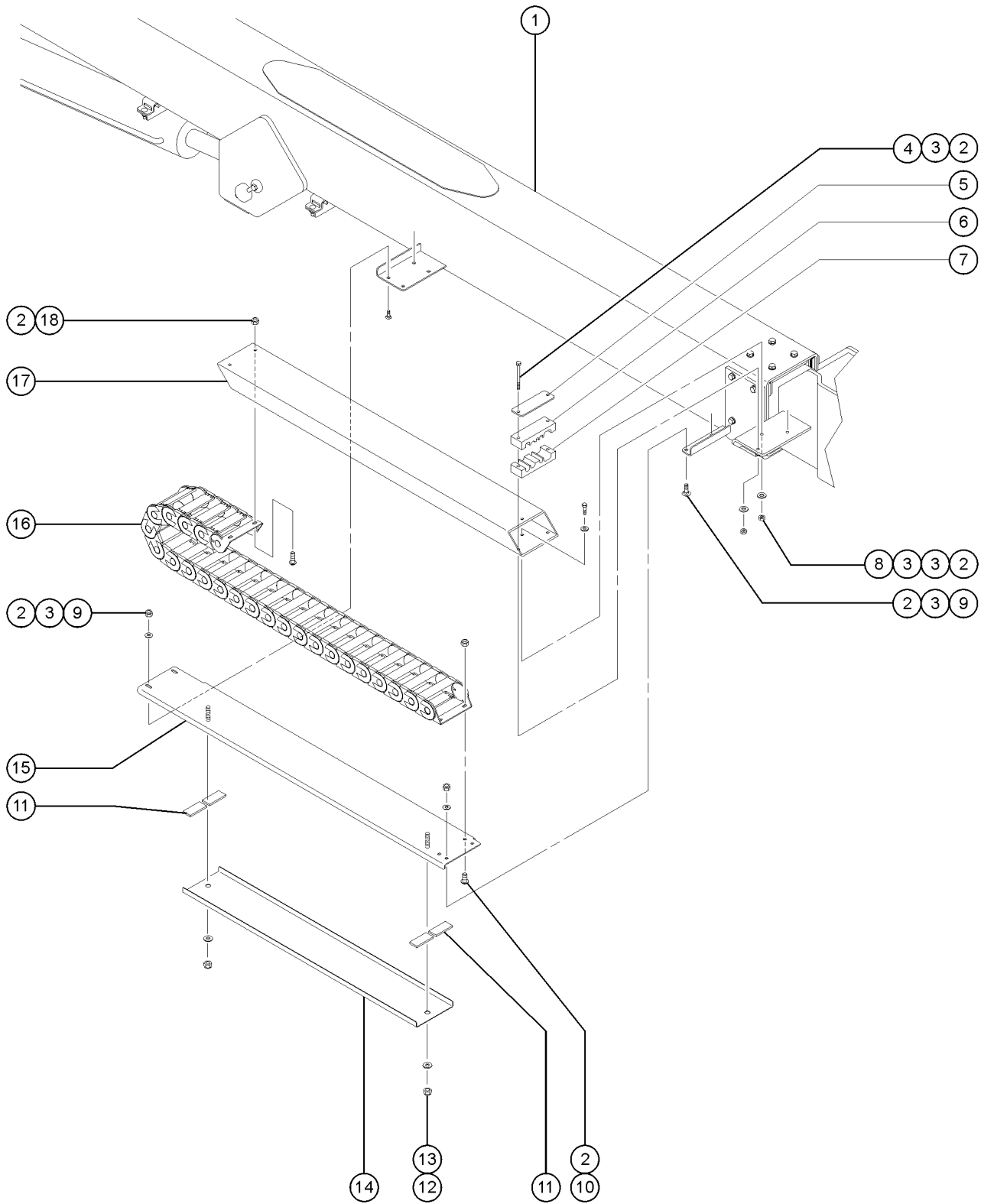
505.1 Cable Track (to SN Z513011B-666)



## 505.1 Cable Track (to SN Z513011B-666)

Item	Part No.	Description	Qty.
1		Ref. Primary Boom Tube Assembly (refer to Figure 504.1)	
2	18504GT	NUT,LOCKING-LG.FLANGE,1/4-20	
3	6638GT	WASHER,FLAT,USS,1/4"Y	
4	54830GT	SCREW,BHSC,1/4-20 X .88,Y/ZINC	
5	6326GT	SCREW,HHC,3/8-16 X 3	
6	5397GT	WASHER,FLAT,USS,5/16",Y	
7	4828GT	NUT,NYLOCK,3/8-16	
8	106804PGT	BACKING, HOSE CLAMP PTD.....	2
9	106585GT	CLAMP,HOSE Z-45 PRIMARY.....	2
10	106581GT	CLAMP,JIB HOSE Z45.....	2
--	107901GT	CLAMP, ARCTIC HOSE	
11	106946GT	WELDMENT,CABLE TRACK TRAY.....	1
12	6091GT	NUT,NYLOCK,1/4-20	
13	14297GT	SCREW,BHHS,1/4-20 X .75	
14	7713GT	NUT, LP NYLOCK, 3/8-16	
15	106944PGT	CHANNEL,CABLE TRCK COVR PAINTD.....	1
16	106947GT	CABLE TRACK,PLASTIC,36 LINK.....	1
--	58919GT	REPAIR LINK,7 LINKS***	
--	58920GT	REPAIR LINK END SET (42763)*	
--	58927GT	LINK,NYLATRAC KS6-5.4***	
17	106945GT	TUBE,CABLE TRACK ARM.....	1

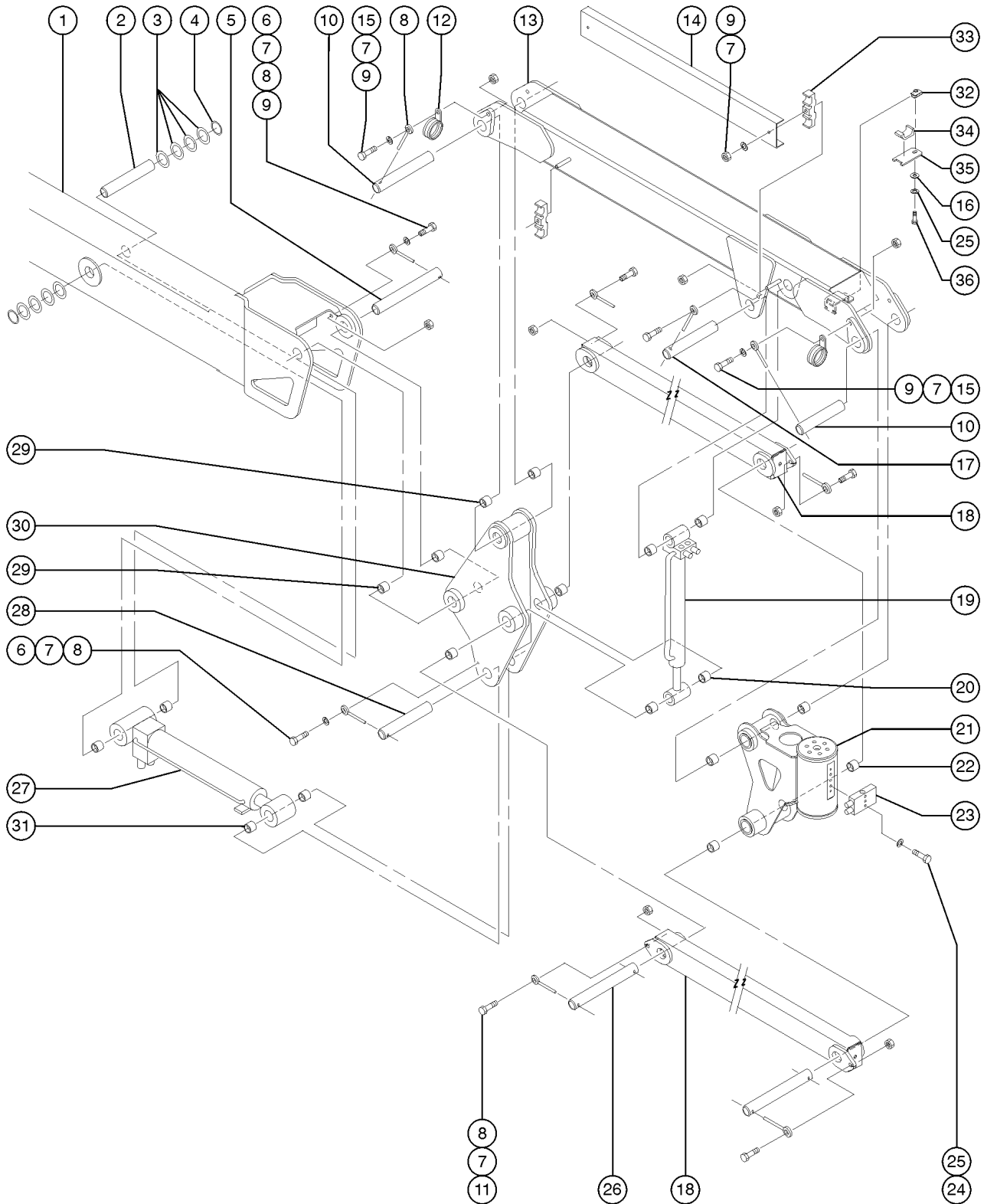
505.2 Cable Track (from SN Z513011B-667)



## 505.2 Cable Track (from SN Z513011B-667)

Item	Part No.	Description	Qty.
1		PRIMARY BOOM ASSY <i>refer to section 504</i>	
2	6091GT	NUT,NYLOCK,1/4-20	
3	6638GT	WASHER,FLAT,USS,1/4"Y	
4	12343GT	SCREW,HHC,1/4-20 X 3	
5	128862GT	BACKING PLATE, PULLTUBE.....1	
6	128310GT	CLAMP, JIB HOSE/CABLE, Z45/51.....1	
7	128311GT	CLAMP, JIB HOSE/CABLE, Z45/51.....1	
8	6888GT	SCREW,HHC,1/4-20 X 1	
9	6878GT	BOLT,CARRIAGE,1/4-20 X .75,G2	
10	12011GT	SCREW,BHHS,1/4-20 X .5,Y/ZINC	
11	54271GT	SPACER,HOSE CLAMP,RUBBER.....4	
12	4828GT	NUT,NYLOCK,3/8-16	
13	5397GT	WASHER,FLAT,USS,5/16",Y	
14	120479GT	COVER,CABLETRACK TRAY,Z51M.....1 <i>Z-51/30J</i>	
15	120483GT	WELDMENT, CABLETRACK TRAY,Z51M.....1 <i>Z-51/30J</i>	
16	139701GT	CABLE TRACK, NP400, 31 LINK.....1 <i>Z-51/30J</i>	
--	111051GT	REPAIR LINK,7 LINKS NP400-7*** <i>for 139701</i>	
--	111052GT	REPAIR LINK,NP400-7*** <i>for 139701</i>	
--	111053GT	REPAIR END BRKT SET,NP400-7*** <i>for 139701</i>	
17	120481GT	TUBE, CABLETRACK ARM, Z51M.....1 <i>Z-51/30J</i>	
18	14297GT	SCREW,BHHS,1/4-20 X .75	

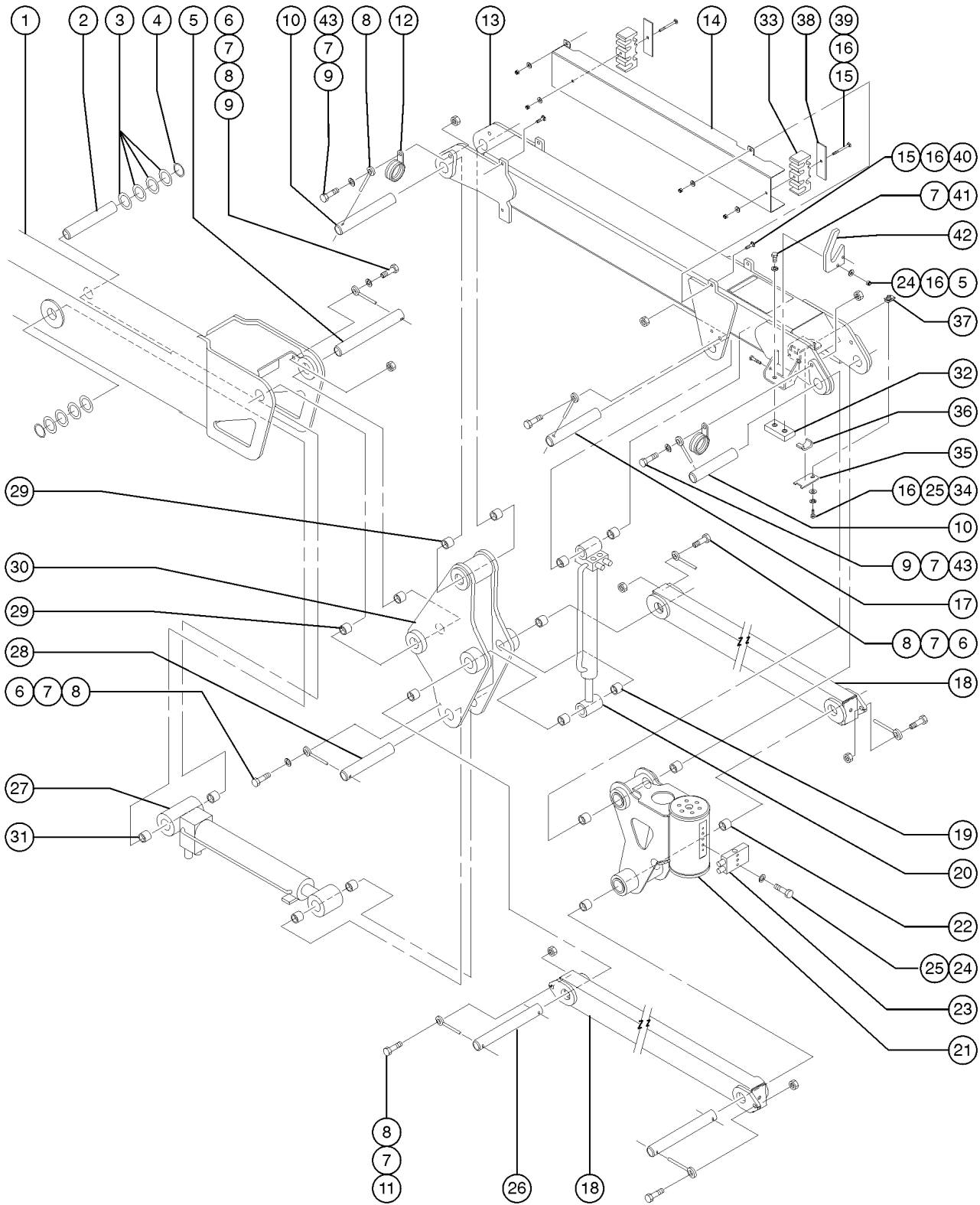
506.1 Jib Boom and Platform Leveling (to SN Z513008B-451)



506.1 Jib Boom and Platform Leveling (to SN Z513008B-451)

Item	Part No.	Description	Qty.	Item	Part No.	Description	Qty.
1		Ref. Primary and Extension Booms (refer to 504.1)		31	25683GT	BEARING,POLYGON,20DU12.....	2
2	50546GT	PIN,1.25DIAX6.36LG,2RING.....	1	32	56912GT	SPRING CLIP,1/4-20,.025-.15X.54,ZAG	
3	30255GT	WASHER,SHIM,1.27 X 2.13 X .062		33	106581GT	CLAMP,JIB HOSE Z45.....	2
4	824164GT	SNAP RING,EXTERNAL,1.25,ZAG		--	107901GT	CLAMP, ARCTIC HOSE	
5	50543GT	PIN,1.25DIAX8.88LG,1HOLE.....	1	34	119542GT	CLAMP,TWO HOSE.....	1
6	6019GT	SCREW,HHC,3/8-16 X 1.25 GRD 5		35	119536GT	BRACKET,HOSE CLAMP***.....	1
7	5397GT	WASHER,FLAT,USS,5/16",Y		36	6090GT	SCREW,HHC,1/4-20 X .75	
8	45226GT	ROD END,.375 X 3.69					
9	4828GT	NUT,NYLOCK,3/8-16					
10	T107883GT	PIN,1.25DIAX7.88LG,1HOLE.....	2				
11	8516GT	SCREW,HHC,3/8-16 X 1.50,GR5					
12	27497GT	CLAMP,RUBBER CUSHIONED-2 5/32....	2				
13		SERVICE KIT, 5FT JIB..... <i>refer to section 509.1 for jib detail</i>	1				
14	106540PGT	CABLE COVER,JIB PAINTED.....	1				
15	5224GT	SCREW,HHC,3/8-16 X 2					
16	6638GT	WASHER,FLAT,USS,1/4"Y					
17	T107884GT	PIN,1.25DIAX7.00LG,1HOLE.....	1				
18	61306-SGT	COMPR.LINK,MACHINED,GND CONTR*.....	2				
19	54994GT	CYLINDER,JIB,Z45,#4 PORTS***..... <i>includes item 20</i>	1				
--	147283GT	SEAL KIT,147259 <i>for 147259</i>					
--	43018GT	SEAL KIT (39345) <i>for 50480</i>					
--	50480GT	VALVE,COUNTERBALANCE,3800 PSI*					
--	65789GT	SEAL KIT (54994) <i>for 54994</i>					
20	47377GT	BEARING,1.25 ID X 1.5 OD X .75.....	4				
21		Ref. Jib Platform Rotator..... <i>refer to section 507.1</i>	1				
22	30222GT	BEARING,FL,1.25IDX1.41ODX1.50L.....	2				
23		Ref. Counterbalance Manifold <i>refer to section 703.1</i>					
24	8915GT	SCREW,HHC,1/4-20 X 1.25					
25	6356GT	WASHER,LOCK,.25					
26	81175GT	PIN,1.25DIAX14.45LG,2HOLE.....	2				
27	77363GT	CYLINDER,SLAVE,Z45***..... <i>includes item 31</i>	1				
--	54065GT	VALVE,COUNTERBALANCE,3500***					
--	77364GT	SEAL KIT,MASTER & SLAVE CYL					
28	T108075GT	PIN,1.25DIAX5.25LG,1HOLE.....	1				
29	35675GT	BEARING,FL,1.25IDX1.5ODX1.25L.....	6				
30	52760GT	BELLCRANK ASSY,JIB,Z45/25..... <i>includes item 29</i>	1				

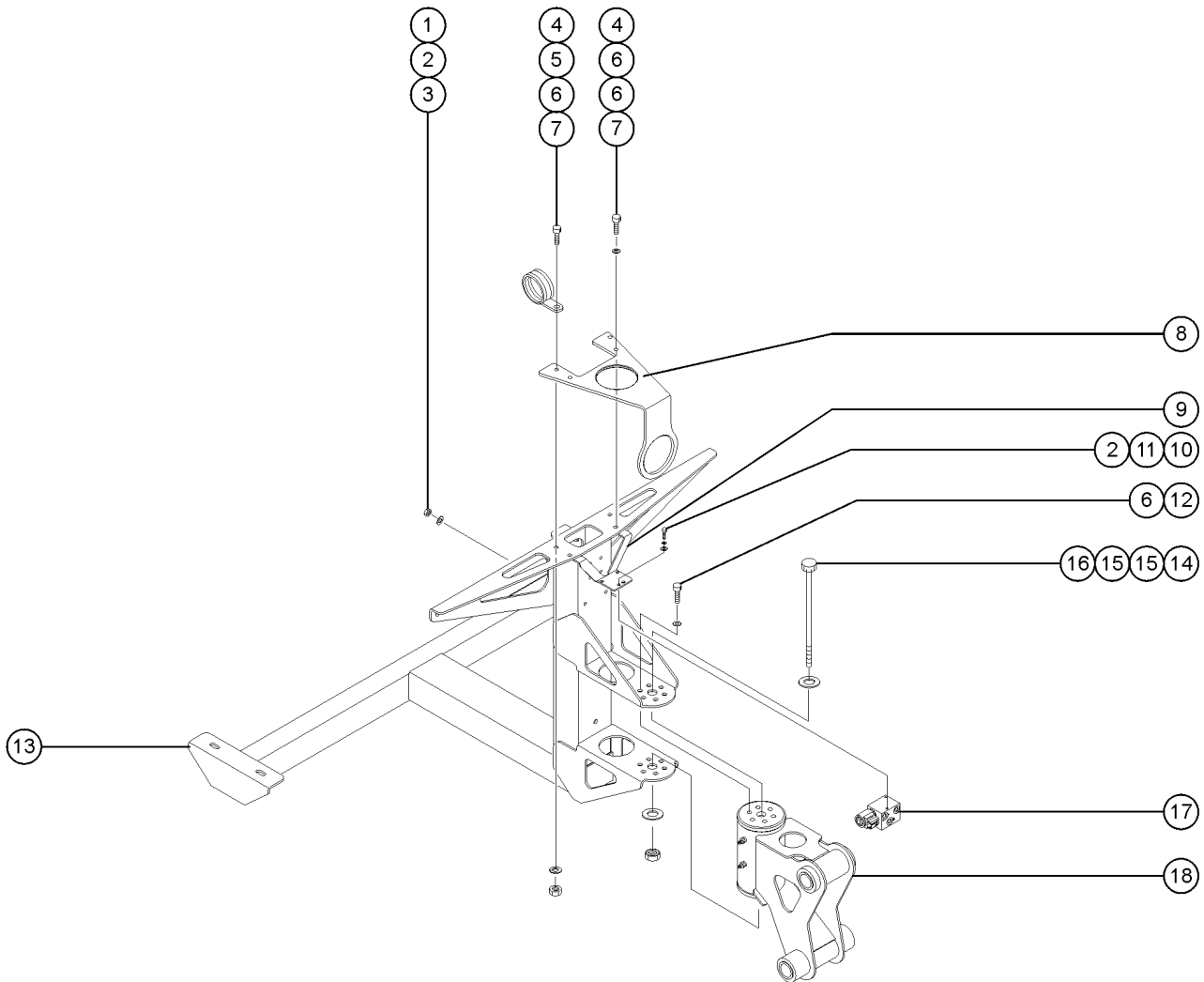
506.2 Jib Boom and Platform Leveling (from SN Z513008B-452)



506.2 Jib Boom and Platform Leveling (from SN Z513008B-452)

Item	Part No.	Description	Qty.	Item	Part No.	Description	Qty.
1		Ref. Primary and Extension Booms <i>refer to section 504.1</i>		31	25683GT	BEARING,POLYGON,20DU12.....	2
2	50546GT	PIN,1.25DIAx6.36LG,2RING.....	1	32	81640GT	WEAR PAD,3 X 1.5 X.625 W/NUTS.....	1
3	30255GT	WASHER,SHIM,1.27 X 2.13 X .062		33	128510GT	CLAMP,JIB HOSE/CABLE,Z45/51.....	2
4	824164GT	SNAP RING,EXTERNAL,1.25,ZAG		33	128511GT	CLAMP,JIB HOSE/CABLE,ARCTIC <i>Arctic Option</i>	
5	50543GT	PIN,1.25DIAx8.88LG,1HOLE.....	1	34	6090GT	SCREW,HHC,1/4-20 X .75	
6	6019GT	SCREW,HHC,3/8-16 X 1.25 GR5		35	119536GT	BRACKET,HOSE CLAMP***.....	1
7	5397GT	WASHER,FLAT,USS,5/16",Y		36	119542GT	CLAMP,TWO HOSE.....	1
8	45226GT	ROD END,.375 X 3.69		--	119994GT	CLAMP,TWO HOSE,ARCTIC <i>Arctic Option</i>	
9	4828GT	NUT,NYLOCK,3/8-16		37	56912GT	SPRING CLIP,1/4-20,.025-.15X.54,ZAG	
10	T107883GT	PIN,1.25DIAx7.88LG,1HOLE.....	2	38	128483GT	BACKING PLATE, HOSE BLOCK, JIB....	2
11	8516GT	SCREW,HHC,3/8-16 X 1.50,GR5		39	128724GT	BOLT,CARRIAGE,1/4-20 X 2.75,G2	
12	27497GT	CLAMP,RUBBER CUSHIONED-2 5/32....	2	40	79456GT	BOLT,CARRIAGE,1/4-20 X 1.00,G2	
13	128534GT	JIB BOOM ASSY W/WORD DECAL.....	1	41	8255GT	SCREW,HHC,3/8-16 X .75	
14	128454PGT	COVER, JIB HOSES/CABLES.....	1	42	128482GT	HOSE GUIDE, JIB..... <i>(to SN Z513012B-0826)</i>	1
15	6091GT	NUT,NYLOCK,1/4-20		43	5224GT	SCREW,HHC,3/8-16 X 2	
16	6638GT	WASHER,FLAT,USS,1/4"Y					
17	T107884GT	PIN,1.25DIAx7.00LG,1HOLE.....	1				
18	61306-SGT	COMPR.LINK,MACHINED,GND CONTR*.....	2				
19	25683GT	BEARING,POLYGON,20DU12.....	4				
20	54994GT	CYLINDER,JIB,Z45,#4 PORTS*** <i>includes item 19</i>	1				
--	147283GT	SEAL KIT,147259 <i>for 147259</i>					
--	43018GT	SEAL KIT (39345) <i>for 50480</i>					
--	50480GT	VALVE,COUNTERBALANCE,3800 PSI*					
--	65789GT	SEAL KIT (54994) <i>for 54994</i>					
21		Ref. Jib Platform Rotator..... <i>refer to section 507.1</i>	1				
22	30222GT	BEARING,FL,1.25IDX1.41ODX1.50L....	2				
23		Ref. Counterbalance Manifold <i>refer to section 703.1</i>					
24	8915GT	SCREW,HHC,1/4-20 X 1.25					
25	6356GT	WASHER,LOCK,.25					
26	81175GT	PIN,1.25DIAx14.45LG,2HOLE.....	2				
27	77363GT	CYLINDER,SLAVE,Z45*** <i>includes item 31</i>	1				
--	54065GT	VALVE,COUNTERBALANCE,3500***					
--	77364GT	SEAL KIT,MASTER & SLAVE CYL					
28	T108075GT	PIN,1.25DIAx5.25LG,1HOLE.....	1				
29	35675GT	BEARING,FL,1.25IDX1.5ODX1.25L....	6				
30	52760GT	BELLCRANK ASSY,JIB,Z45/25..... <i>includes item 29</i>	1				

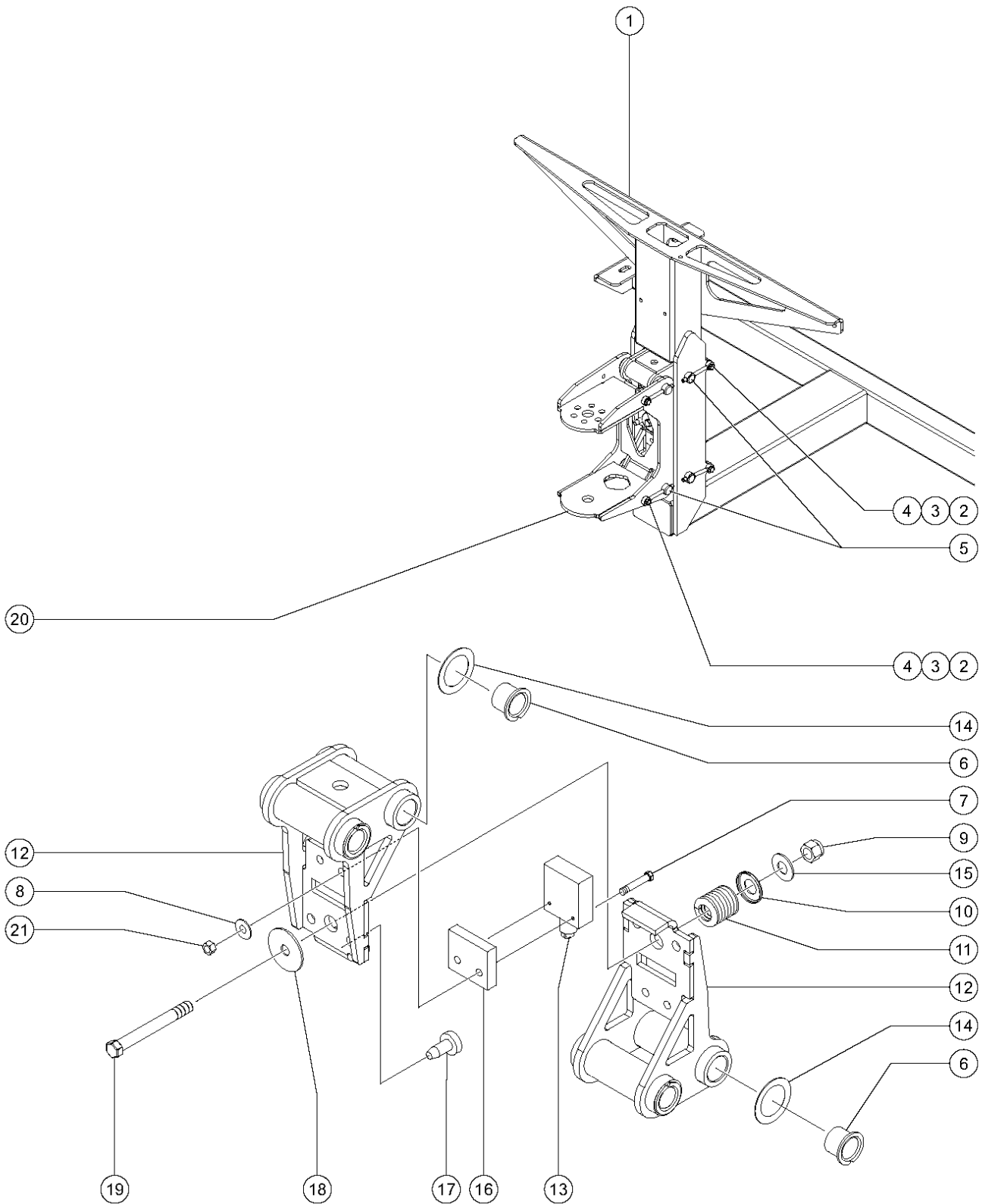
507.1 Platform Rotation and Support



## 507.1 Platform Rotation and Support

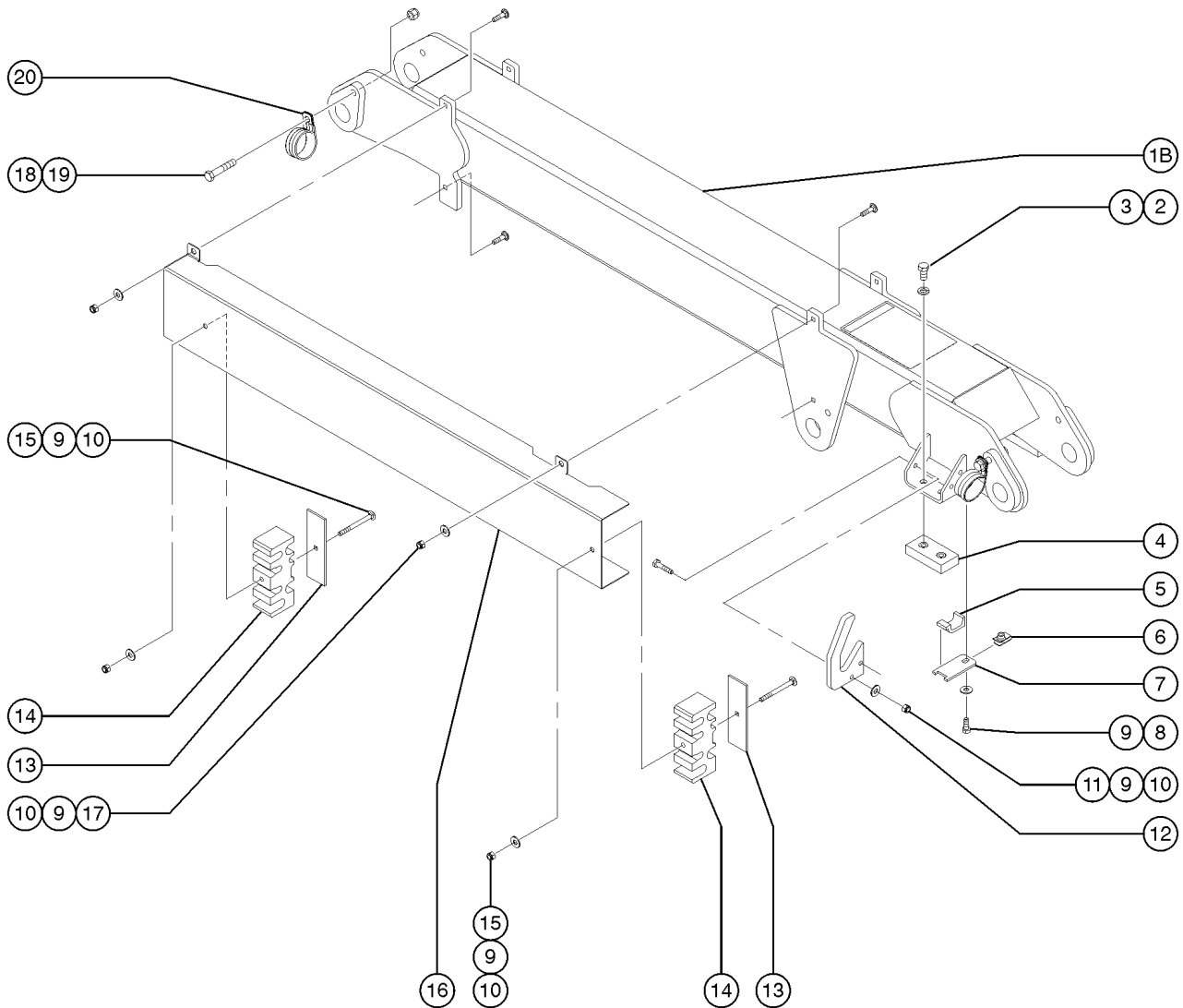
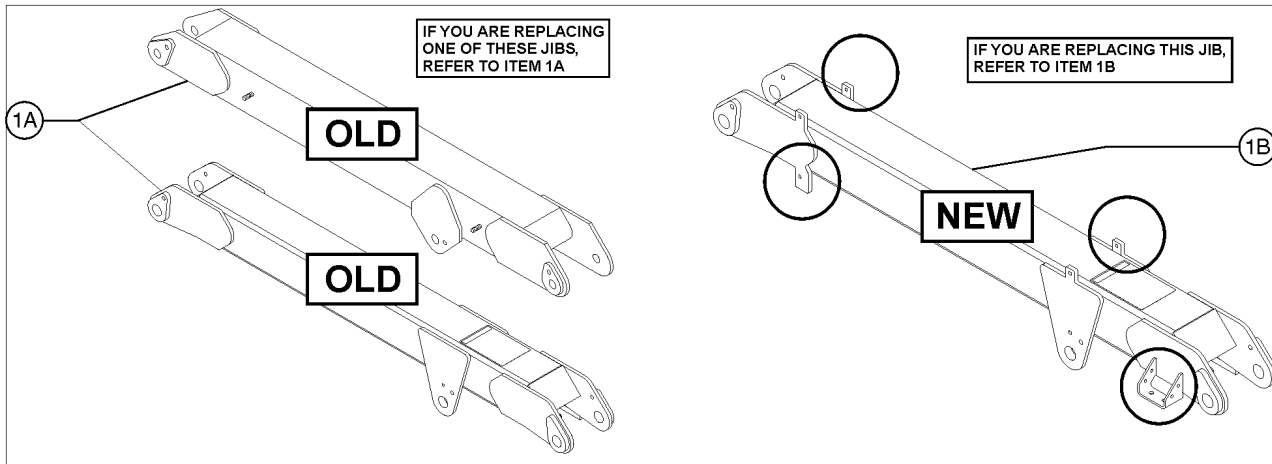
Item	Part No.	Description	Qty.
1	6091GT	NUT,NYLOCK,1/4-20	
2	6638GT	WASHER,FLAT,USS,1/4"Y	
3	36294GT	SCREW,HHC,1/4-20 X 2.75	
4	13000GT	SCREW,HHC,5/16-18 X 1.25.....4	
5	32339GT	CLAMP,1.75,#28 X 3/8,RUB CUSH*.....1	
6	5397GT	WASHER,FLAT,USS,5/16",Y	
7	6782GT	NUT,NYLOCK,5/16-18	
8	120287GT	FORMING,CABLE GUIDE.....1	
--	55067GT	GROMMET,RUBBER 3 X .19 X 3.5.....2	
9	110671GT	PLATE,JIB,ROTATE MANIFOLD.....1	
10	6090GT	SCREW,HHC,1/4-20 X .75	
11	6356GT	WASHER,LOCK,.25	
12	94195GT	SCREW,HHC,3/8-16 X .75,GR 8.....6	
13	54510-SGT	WELDMENT,PLATFORM SUPPORT	
14	56925GT	SCREW,HHC,3/4-10 X 9.5 GR 8 YE.....1	
15	33278GT	WASHER,FLAT,.75 HARDENED	
16	77051GT	NUT,NYLOCK,3/4-10,GRD.8.....1	
17		Ref. Jib Manifold <i>refer to 703.1</i>	
18A		ROTATOR,PLAT,JIB***.....1 <i>(94401) PN no longer available, to SN Z513012B-845 for replacement, refer to 233715 below</i>	
--	147369GT	SEAL AND BRG KIT,4.5K ROTATOR* <i>for 94401</i>	
--	30222GT	BEARING,FL,1.25IDX1.41ODX1.50L.....4 <i>for 94401</i>	
--	88516GT	SCREW,BLEEDER,M5X0.8.....2 <i>for 94401</i>	
18B	233715GT	ROTATOR,PLAT,Z45J/Z51J <i>from SN Z513012B-846</i>	
--	233745GT	SEAL AND BRG KIT,4.5K ROTATOR <i>for 233715</i>	
--	30222GT	BEARING,FL,1.25IDX1.41ODX1.50L.....4 <i>for 233715</i>	
--	88516GT	SCREW,BLEEDER,M5X0.8.....2 <i>for 233715</i>	

508.1 Platform Overload



Item	Part No.	Description	Qty.
--	94391-SGT	KIT,LOAD SENSE MECH,Z45 JIB (to SN Z513010B-523)	
--	147513GT	KIT,LOAD SENSE MECH,Z45 JIB (from SN Z513010B-524)	
1	61998PGT	WELDMENT,PLATFORM SUPPORT.....1	
2	6888GT	SCREW,HHC,1/4-20 X 1	
3	45748GT	ROD END,.250 X 2.75 LG	
4	6091GT	NUT,NYLOCK,1/4-20	
5	61726GT	PIN,0.75DIAX5.75LG,CHAMFER.....4	
--	94643GT	ZERK,GREASE,5/16-24,STRAIT	
6	25685GT	BEARING,GARLOCK,12FDU12.....2	
7	73634GT	SCREW,PHIL,PHM,10-24X1.5 ZINC	
8	6146GT	WASHER,FLAT,MS,#10,Y	
9	4828GT	NUT,NYLOCK,3/8-16	
10	61975GT	RETAINER,SPRING,1.21 X .375.....1	
11	61974GT	SPRING,COMP,1" OD,232 LB/IN.....1	
12	101512GT	LOAD SUPPORT WITH BEARINGS.....2 <i>includes item 6</i>	
13A	94549GT	SWITCH,LOAD LIMIT.....1 (to SN 1487)	
13B	121848GT	ASSY,LS,LOAD SENSE,38.5 IN (from SN 1488)	
14	110789GT	WASHER,SHIM .0151 THK.	
15	6097GT	WASHER,FLAT,USS,3/8",Y	
16	61972GT	MOUNT,SWITCH.....1	
17	34619GT	BUMPER,RUBBER***.....1	
18	80605GT	WASHER,FLAT,3/8X1.5X.06	
19	21604GT	SCREW,HHC,3/8-16 X 3.25	
20	61987GT	WELDMENT,ROTATOR MOUNT.....1	
21	5365GT	NUT,NYLOCK,10-24	

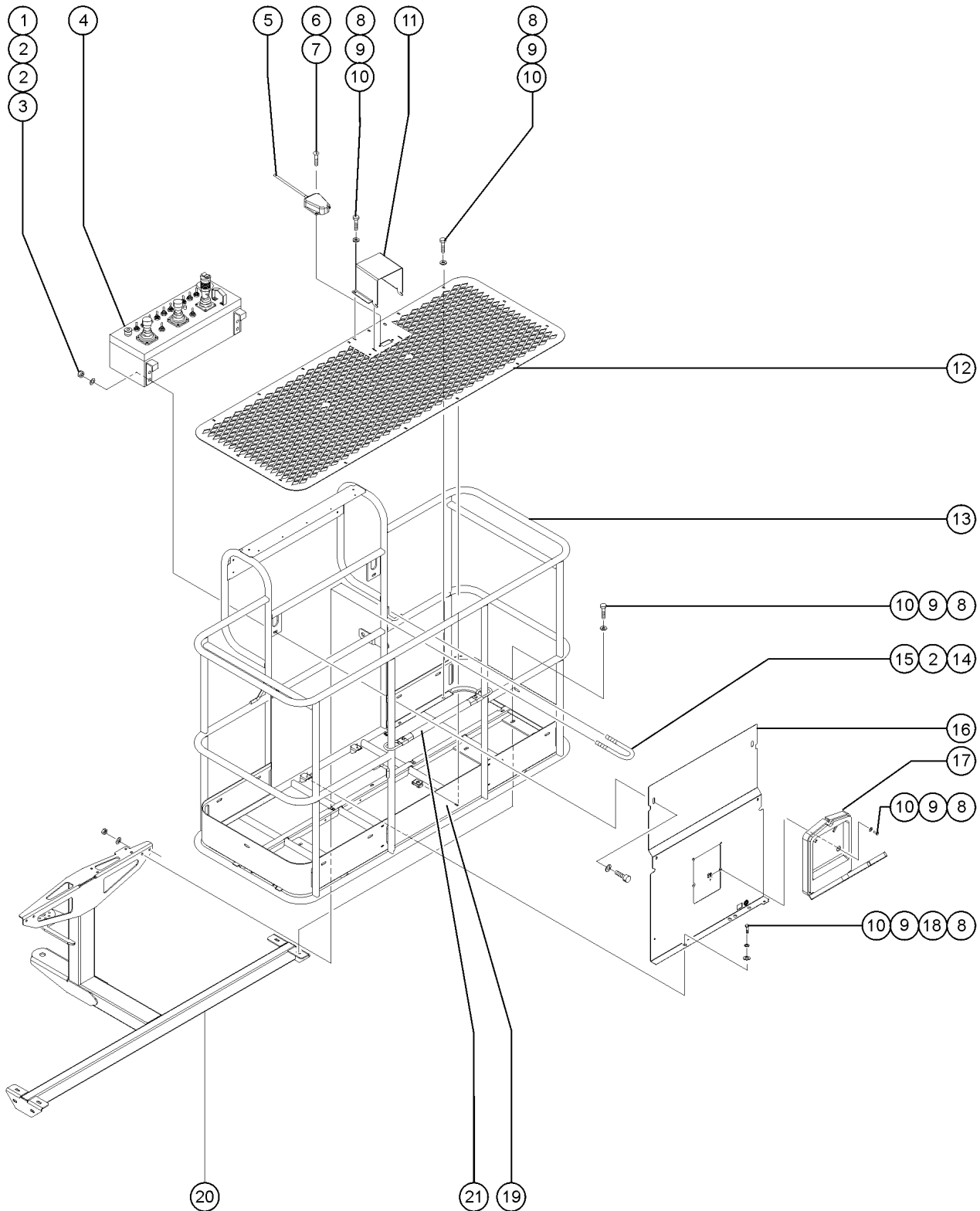
509.1 Jib Service Kit Detail (to SN Z513008B-451)



## 509.1 Jib Service Kit Detail (to SN Z513008B-451)

Item	Part No.	Description	Qty.
1A	128513GT	SERVICE KIT,5FT JIB <i>required for first time replacement (includes part number 128534)</i>	
1B	128534GT	JIB BOOM ASSY W/WORD DECAL.....1 <i>use ONLY if service kit 128513 has been installed on the machine</i>	
2	8255GT	SCREW,HHC,3/8-16 X .75	
3	6021GT	WASHER,LOCK,.375	
4	81640GT	WEAR PAD,3 X 1.5 X.625 W/NUTS.....1	
5	119542GT	CLAMP,TWO HOSE.....1	
6	56912GT	SPRING CLIP,1/4-20,.025-.15X.54,ZAG.....1	
7	119536GT	BRACKET,HOSE CLAMP***.....1	
8	6888GT	SCREW,HHC,1/4-20 X 1	
9	6638GT	WASHER,FLAT,USS,1/4"Y	
10	6091GT	NUT,NYLOCK,1/4-20	
11	8915GT	SCREW,HHC,1/4-20 X 1.25	
12	128482GT	HOSE GUIDE, JIB.....1 <i>For welder and airline to platform options only</i>	
13	128483GT	BACKING PLATE, HOSE BLOCK, JIB....2	
14	128510GT	CLAMP,JIB HOSE/CABLE,Z45/51.....2	
15	128724GT	BOLT,CARRIAGE,1/4-20 X 2.75,G2	
16	128454PGT	COVER, JIB HOSES/CABLES.....1	
17	79456GT	BOLT,CARRIAGE,1/4-20 X 1.00,G2	
18	5224GT	SCREW,HHC,3/8-16 X 2	
19	4828GT	NUT,NYLOCK,3/8-16	
20	77181GT	CLAMP,1.63,#26 X 3/8,RUB CUSH.....2	

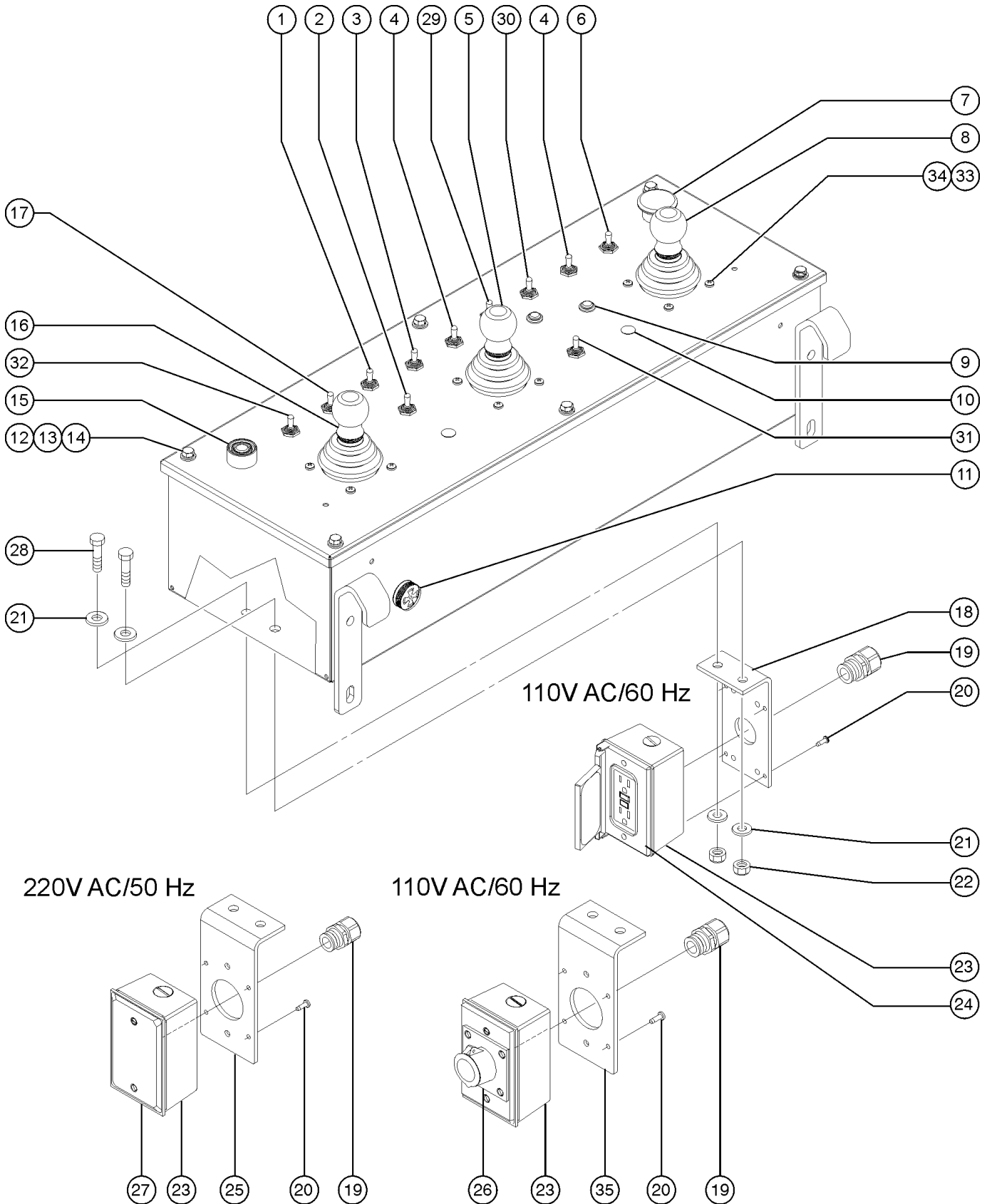
601.1 Platform Components



601.1 Platform Components

Item	Part No.	Description	Qty.	Item	Part No.	Description	Qty.
--	101385GT	PLAT ASSY, COMP, 4', CE/UK/UK <i>European models</i>		--	73477PGT	FLOORING, 6'FT PLATFORM <i>(for single entry)</i>	
--	101388GT	PLAT ASSY, COMP, 5', CE/UK/UK <i>European models</i>		13A	101373GT	PLATFORM ASSEMBLY,4FT,CE/UK.....1 <i>European models</i>	
--	101391GT	PLAT ASSY, COMP, 6', CE/UK/UK <i>European models</i>		13A	101376GT	PLATFORM ASSEMBLY,5FT,CE/UK <i>European models</i>	
--	50294GT	WELDMNT,5 FT PLATFORM <i>Australian models, does not include decals, please refer to section one</i>		13A	101379GT	PLATFORM RAIL ASSY,6FT,CE/UK <i>European models</i>	
--	60042-SGT	PLATFORM WELDMNT,4 FT <i>Australian models, does not include decals, please refer to section one</i>		--	33550GT	TAPE,WARNING,BLK/YEL, 50'*** <i>for European models</i>	
--	73900GT	WELDMNT,6 FT PLATFORM <i>Australian models, does not include decals, please refer to section one</i>		14	122755GT	UBOLT,FLATTENED,1.5DIAx3/8 UNC	
1	7713GT	NUT, LP NYLOCK, 3/8-16		15	4828GT	NUT,NYLOCK,3/8-16	
2	5397GT	WASHER,FLAT,USS,5/16",Y		16	101578GT	DECAL PLATE W/ SYMBOL DECALS....1	
3	6019GT	SCREW,HHC,3/8-16 X 1.25 GRD 5		17A	44743GT	MANUAL BOX W/DECALS***.....1 <i>USA/Canada/Australia</i>	
4		Ref. Platform Controls <i>(refer to 602.1 or 603.1)</i>		17B	24514GT	BOX,INSTRUCTION STORAGE <i>Europe/Asia/South America (decal required; refer to Section100)</i>	
5A	73233GT	ASSEMBLY,FOOT SWITCH***.....1 <i>(to SN 706)</i>		18	6356GT	WASHER,LOCK,.25	
--	119058GT	CONN PLUG 4 WAY ENDCAP DT <i>for PN 73233</i>		19	54817P-SGT	TOEBOARD,PLTFM ENTRY EUR,PNTD*.....1	
--	13482GT	FOOT SWITCH*** <i>for PN 73233</i>		20		Ref. Platform Support <i>(refer to 507.1)</i>	
--	20262GT	MICROSWITCH,13482 FOOTSWITCH <i>for PN 73233</i>		21	102992GT	SLIDING MIDRAIL KIT,PTD.....1	
--	43960GT	WIRE CABLE,16/4 CON.TPE JKT.....66-inches <i>for PN 73233</i>					
--	73739GT	BOOT,PLUG 4 WAY <i>for PN 73233</i>					
5B	228468GT	KIT, FOOTSWITCH, Z45 & Z51 <i>upgrade kit (to SN 706)</i>					
--	227617GT	ASSEMBLY,FOOT SWITCH <i>for PN 228468</i>					
5C	227617GT	ASSEMBLY,FOOT SWITCH <i>(from SN 707)</i>					
6	73587GT	SCREW,PHIL,10-24 X .75					
7	73575GT	SPRING CLIP,10-24,.025-.125X.468,ZAG					
8	6090GT	SCREW,HHC,1/4-20 X .75					
9	6638GT	WASHER,FLAT,USS,1/4"Y					
10	56912GT	SPRING CLIP,1/4-20,.025-.15X.54,ZAG					
11	63766GT	COVER,FOOT SWITCH <i>CE/Asia/South America (does not include decal) (to SN 39173)</i>					
12	60160PGT	FLOORING,4 FT PLATFORM,PAINTED.....1					
--	54247-SGT	PLAT. FLOOR, 5FT, PAINTED					

602.1 Platform Control Box - View 1



602.1 Platform Control Box - View 1

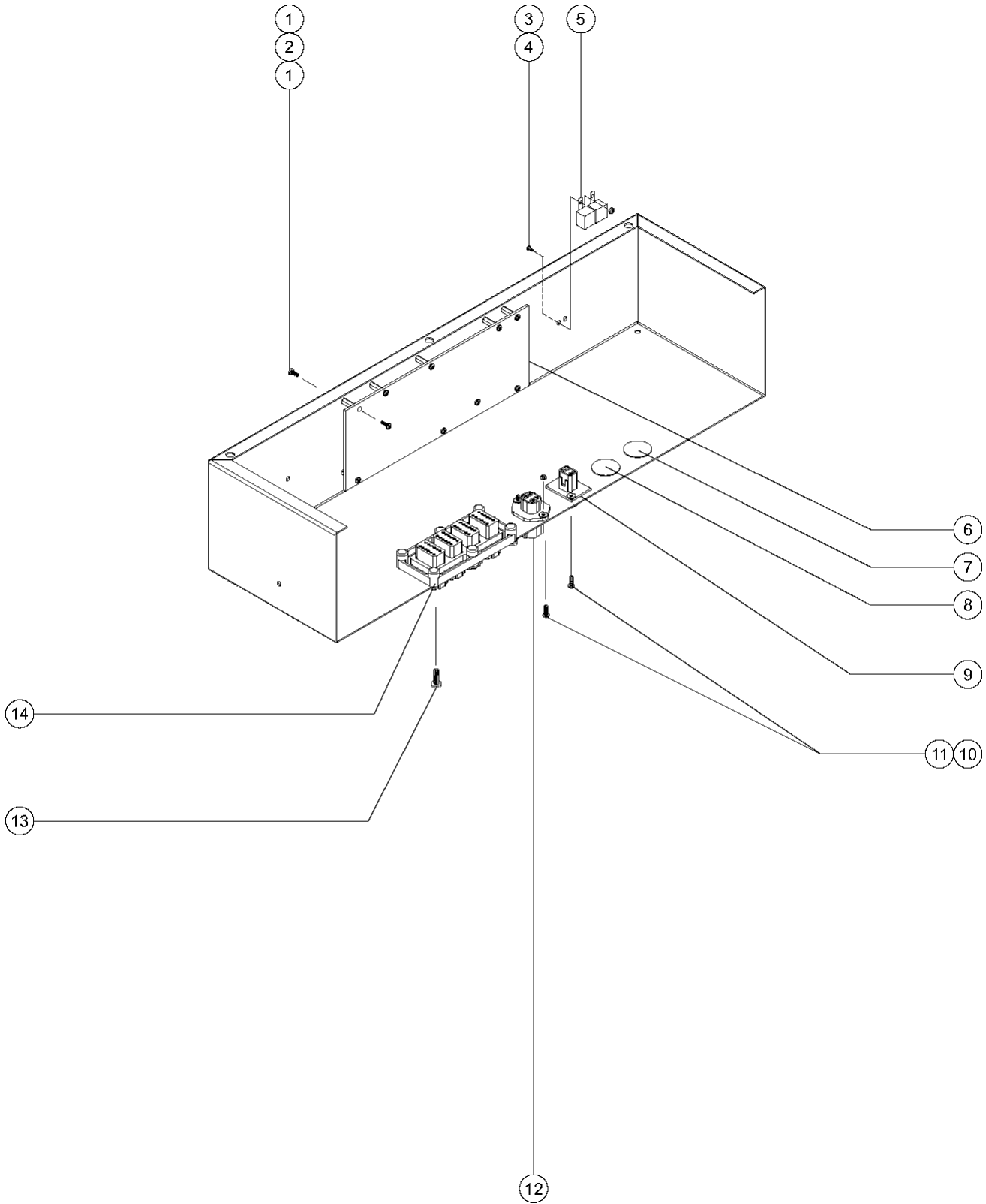
Item	Part No.	Description	Qty.	Item	Part No.	Description	Qty.
--	110388GT	PLAT. CONTROL BOX W/DECAL***.....1	1	9	824879GT	LIGHT,LED IND. RED 12V NH.....2	2
--	81488GT	GASKET,PLATFORM CONTROL BOX		--	56848GT	WASHER,LOCK,IND,LAMP RETAINER	
--	T108153GT	HARNESS KIT,Z45/51 PLAT BOX <i>includes three adapter cables</i>		10	824879GT	LIGHT,LED IND. RED 12V NH.....1	1
1	128200GT	SWITCH TOGGLE ASSY SPDT 3P MOM.....1 <i>Jib Up/Down; includes boot and hardware</i>	1	--	56848GT	WASHER,LOCK,IND,LAMP RETAINER	
--	128578GT	SCREW T-SWITCH PH/PH 6-32X1/4		11	45383GT	ALARM,WARBLE TONE 5-30 VDC***.....1 <i>Does not include 72326 nut</i>	1
--	128580-SGT	SWITCH TOGGLE SPDT 3P MOM SHDR		--	72326GT	NUT - PLASTIC,RING FOR ALARMS	
--	27246GT	BOOT,TOGGLE SWITCH,SHORT*		12	8914GT	SCREW,HHC,1/4-20 X .625	
2	128200GT	SWITCH TOGGLE ASSY SPDT 3P MOM.....5 <i>Primary Boom Ext/Ret; includes boot and hardware</i>	5	13	6356GT	WASHER,LOCK,.25	
--	128578GT	SCREW T-SWITCH PH/PH 6-32X1/4		14	6638GT	WASHER,FLAT,USS,1/4"Y	
--	128580-SGT	SWITCH TOGGLE SPDT 3P MOM SHDR		15	66813GT	BUTTON,PUSH,BLACK W/SEAL***.....1	1
--	27246GT	BOOT,TOGGLE SWITCH,SHORT*		--	66815GT	BASE, W/1 N.O. CONTACTS*** <i>includes 1 N.O. contact</i>	
3	128201GT	SWITCH TOGGLE ASSY DPDT 2P MOM.....1 <i>Auxiliary Power; includes boot and hardware</i>	1	--	66816GT	CONTACT,N.O.	
--	128578GT	SCREW T-SWITCH PH/PH 6-32X1/4		16		Ref. Joystick Controller, Multi-Axis <i>Refer to section 604.1</i>	
--	128581-SGT	SWITCH TOGGLE DPDT 2P MOM SHDR		17	128202GT	SWITCH TOGGLE ASSY DPDT 3P MOM.....1 <i>Platform Rotate; includes boot and hardware</i>	1
--	27246GT	BOOT,TOGGLE SWITCH,SHORT*		--	128582-SGT	SWITCH TOGGLE DPDT 3P MOM SHDR	
4	128204GT	SWITCH TOGGLE ASSY SPDT 2P MNT.....2 <i>Drive Speed; includes boot and hardware</i>	2	--	27246GT	BOOT,TOGGLE SWITCH,SHORT*	
--	128584-SGT	SWITCH TOGGLE SPDT 2P MNT SHDR		18	81096GT	BRACKET,POWER TO PLAT, DOM.....1	1
--	27246GT	BOOT,TOGGLE SWITCH,SHORT*		19	6935GT	LOCKNUT,ELEC,1/2"	
5		Ref. Joystick Controller, Single Axis <i>Refer to section 604.1</i>		19	7056GT	CONN. SQZ, 1/2 NPT .38-50, SM.....2	2
6	229567GT	PLUG,SANTOPRENE .5 BLACK DOME <i>from SN B706</i>	1	20	57075GT	SCREW,PHIL,8-32X.50,SELF TAP	
6	45384GT	PLUG,NYLON .50 BLACK DOMED.....1 <i>from SN B101 to B705</i>	1	21	5397GT	WASHER,FLAT,USS,5/16",Y	
--	27246GT	BOOT,TOGGLE SWITCH,SHORT*		22	4828GT	NUT,NYLOCK,3/8-16	
--	54692GT	SPACER,NYLON,.718 X .526 X.219		23	10775GT	T-BOX, 2.75 x 4.5 x 2.0.....1	1
7	66812GT	BUTTON,PUSH,RED MUSHROOM HEAD.....1	1	24	74006GT	COVER,GFCI,HORIZONTAL,WEATHER.1	1
--	146478GT	BOOT(BELLOWS),E-STOP,BLACK <i>(from SN Z513010B-625)</i>		--	13585GT	OUTLET,110V GFCI*** <i>USA/Canada</i>	
--	66818GT	CONTACT,NC		--	80543GT	RECEPTACLE, 120VAC, 20A, GFCI <i>USA/Canada</i>	
--	94506GT	BASE,W/3 NC CONTACTS <i>includes 3 N.C. contacts</i>		25	81096GT	BRACKET,POWER TO PLAT, DOM.....1	1
8		Ref. Joystick Controller, Multi-Axis (standard) <i>Refer to section 604.1</i>		26	T112563GT	SVC KIT,UK RECEPT.REPLACEMENT.....1 <i>Europe</i>	1
--		Ref. Joystick Controller, Single Axis, with thumb rocker switch (optional) <i>Refer to section 604.1</i>		--	120457GT	PLATE,UK POWER TO PLATFORM	
				--	57075GT	SCREW,PHIL,8-32X.50,SELF TAP <i>for 67506</i>	
				--	63375GT	SCREW,FHM,6-32 X .75 <i>for 33629</i>	
				--	66356GT	GASKET, UK RECEPTACLE <i>before SN Z513010B-520</i>	
				--	74052GT	GASKET,COVER,GFCI,WEATHERPROOF <i>after SN Z513010B-519</i>	

## 602.1 Platform Control Box - View 1 (continued)

Item	Part No.	Description	Qty.
--	81458GT	GASKET, UK POWER TO PLAT <i>before SN Z513010B-520</i>	
27	10777GT	COVER,BLANK.....	1
--	81458GT	GASKET, UK POWER TO PLAT	
28	6019GT	SCREW,HHC,3/8-16 X 1.25 GRD 5	
29	128200GT	SWITCH TOGGLE ASSY SPDT 3P MOM..... <i>Glow Plug; includes boot and hardware</i>	1
--	128578GT	SCREW T-SWITCH PH/PH 6-32X1/4	
--	128580-SGT	SWITCH TOGGLE SPDT 3P MOM SHDR	
--	27246GT	BOOT,TOGGLE SWITCH,SHORT*	
30	128200GT	SWITCH TOGGLE ASSY SPDT 3P MOM..... <i>Engine Start; includes boot and hardware</i>	1
--	128578GT	SCREW T-SWITCH PH/PH 6-32X1/4	
--	128580-SGT	SWITCH TOGGLE SPDT 3P MOM SHDR	
--	27246GT	BOOT,TOGGLE SWITCH,SHORT*	
31	128200GT	SWITCH TOGGLE ASSY SPDT 3P MOM..... <i>Drive Enable; includes boot and hardware</i>	1
--	128578GT	SCREW T-SWITCH PH/PH 6-32X1/4	
--	128580-SGT	SWITCH TOGGLE SPDT 3P MOM SHDR	
--	27246GT	BOOT,TOGGLE SWITCH,SHORT*	
32	128200GT	SWITCH TOGGLE ASSY SPDT 3P MOM..... <i>Platform Level; includes boot and hardware</i>	1
--	128578GT	SCREW T-SWITCH PH/PH 6-32X1/4	
--	128580-SGT	SWITCH TOGGLE SPDT 3P MOM SHDR	
--	27246GT	BOOT,TOGGLE SWITCH,SHORT*	
33	77048GT	SCREW,PHM,10-32X3/4,ST TYPE F <i>to SN Z513008B-491</i>	
--	139338GT	SCREW PH M5-0.8X20 DIN 7500CE <i>from SN Z513008B-492</i>	
34	6178GT	NUT,NYLOCK,10-32 <i>to SN Z513008B-491</i>	
--	104030GT	NUT HEX M5-0.8 CLASS 8 ZINC <i>from SN Z513008B-492</i>	
35	120353GT	BRACKET,POWER TO PLAT,UK..... <i>before SN Z513010B-520</i>	1
--	120300GT	BRACKET,POWER TO PLAT,DOM. <i>after SN Z513010B-519</i>	

***This Page Intentionally Left Blank***

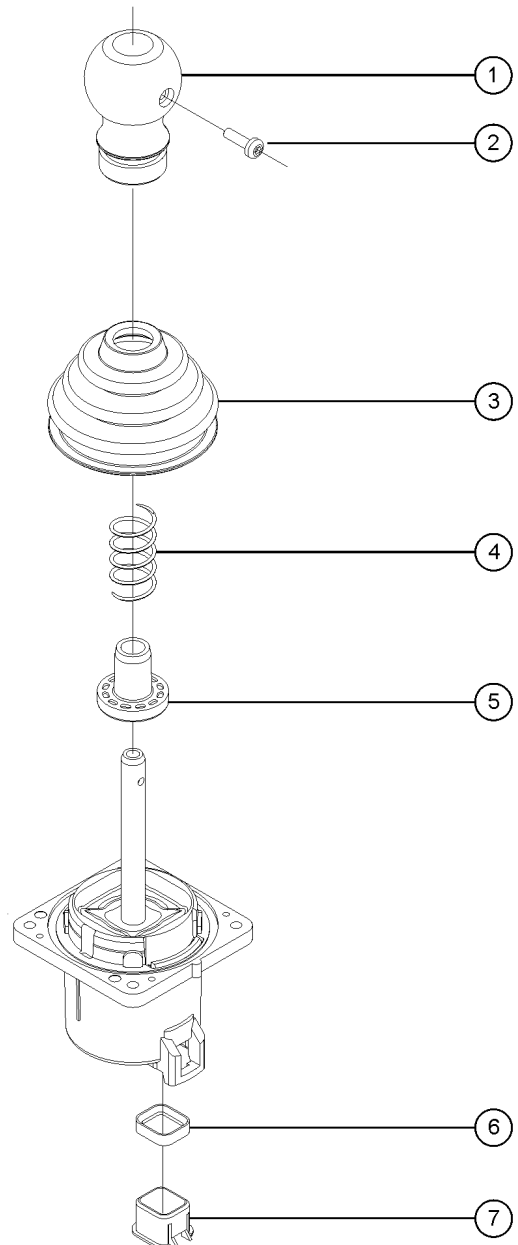
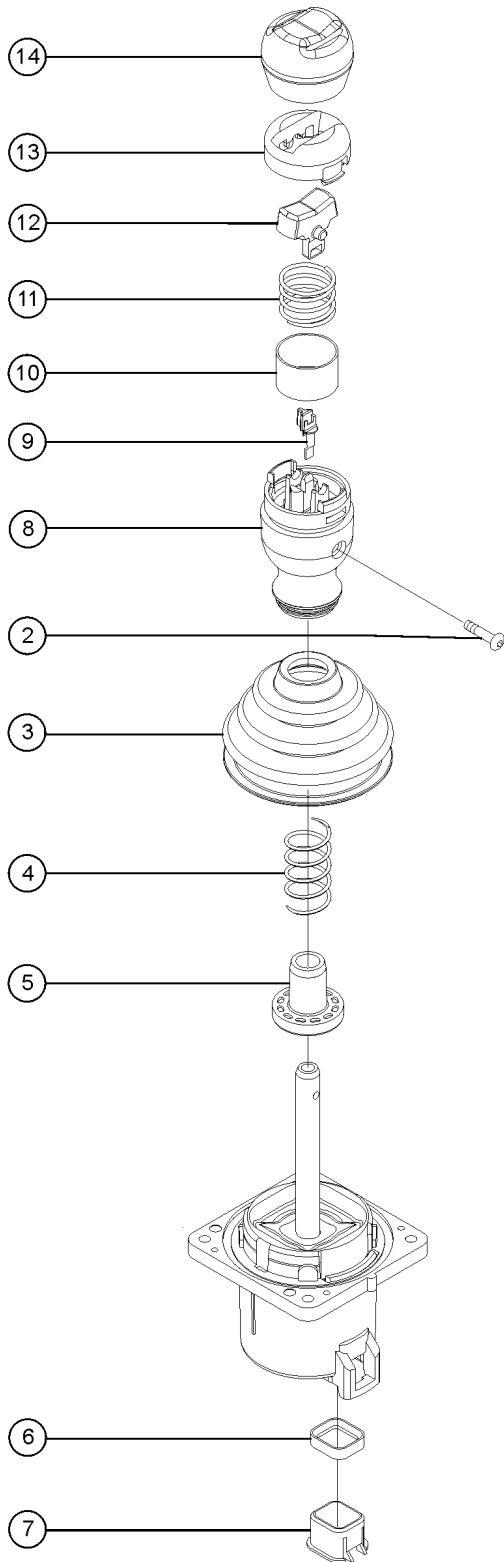
603.1 Platform Control Box - View 2



603.1 Platform Control Box - View 2

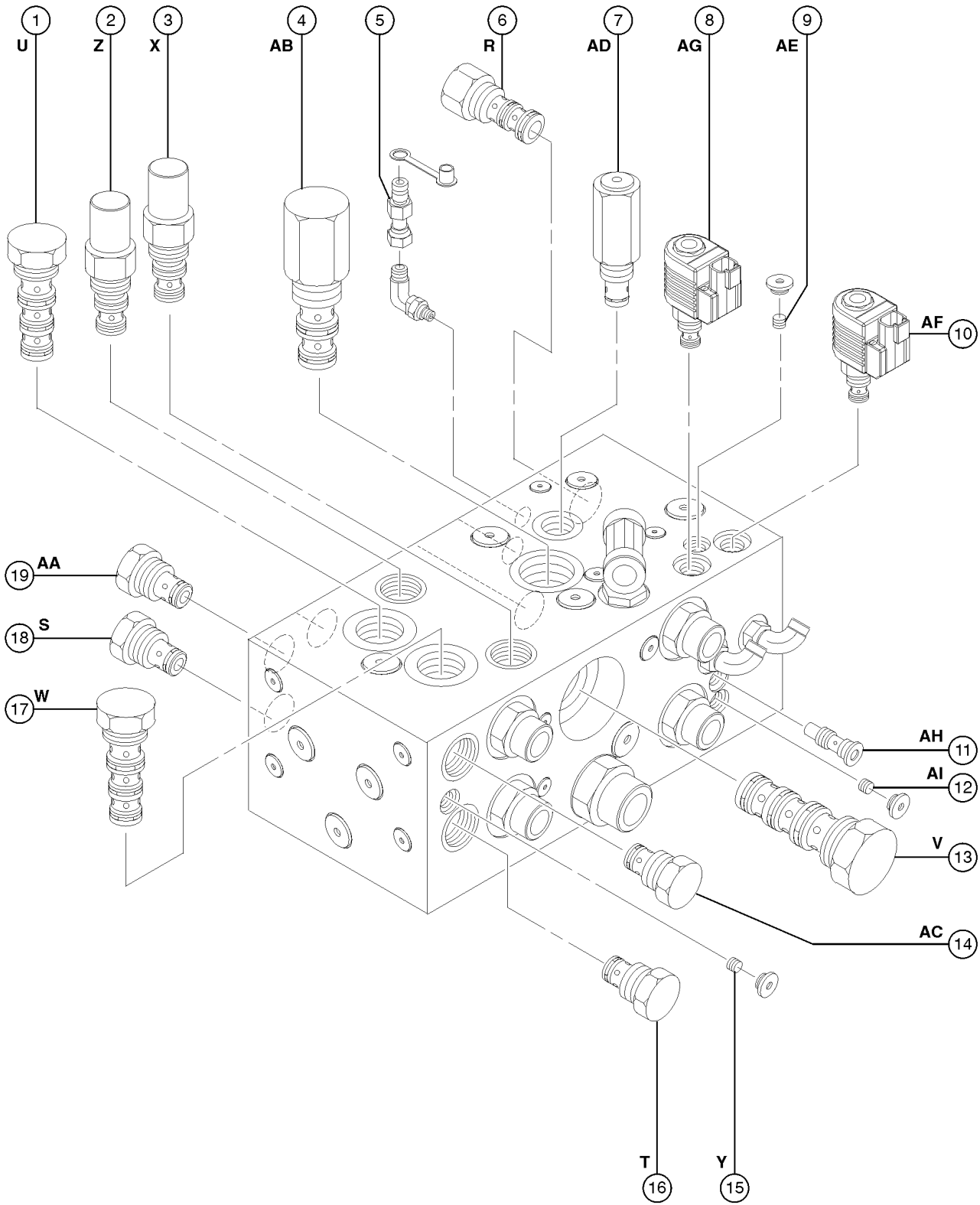
Item	Part No.	Description	Qty.	Item	Part No.	Description	Qty.
--	121847GT	RELAY,TIME DELAY,2 SEC,30A <i>from SN Z513010B-524</i>		--	60526GT	LOCK,RECEP 4 WAY,12-14GA	
--	77351GT	LANYARD,PLATFORM CONTROL BOX		--	73711GT	TERM,DEUTSCH, PIN #12-14	
--	81487PGT	PLATFORM CONTROL BOX,PAINTED		13	73803GT	SCREW,SHM,PHP, #12 X .75	
--	81488GT	GASKET,PLATFORM CONTROL BOX		14	73736GT	CONN,RECEP 48 WAY,4 X 12.....1	
1	81551GT	SCREW,PHIL,PHM,6-32 X 1/4 SS		--		HARNESS,18/19 BOOM CABLE #1 <i>refer to 308.1</i>	
2	81550GT	STANDOFF,6-32 X 3/8L X 1/4 HEX		--	54255GT	LOCK,RECEP 12 WAY, 14-18GA	
3	54365GT	SCREW,PHIL,PHM,10-32 X .5,SSTL		--	73713GT	TERM,NI PIN,S&F,16-18GA,REEL	
4	6178GT	NUT,NYLOCK,10-32					
5	19274GT	RELAY,SPDT,12V(AUTO)**.....2					
6A	235414GT	PCB ASSY <i>Machine model and serial number required when ordering. Please contact Genie Service Parts for assistance. (direct replacement for 139505)</i>					
--	56029GT	CONNECTOR,MOLEX 24-WAY**					
--	56030GT	TERMINAL,MOLEX 16 GAUGE***					
--	56561GT	TOOL,TERMINAL CRIMPER,MOLEX***					
--	56562GT	TOOL,TERMINAL EXTRACTOR,MOLEX					
--	T110482GT	DECAL,LABEL,ALC500 GENII,Z51 <i>(for T110563)</i>					
6B	T111107GT	ASSY,ALC500 BOARD HEATER					
--	114246GT	DECAL,OPTION CONTROL BOX HEATR.....1					
--	119534GT	STANDOFF,1/4X1/4 M-F 6-32 S/S.....5					
--	119641GT	SWITCH,THERMOSTAT 85F OPEN.....1					
--	128204GT	SWITCH TOGGLE ASSY SPDT 2P MNT.....1					
--	147661GT	PLATE,PLAT HEAT,ALC500 GEN II.....1					
--	218180GT	HARNESS,CONTROL BOX HEATER.....1					
--	27287GT	RESISTOR,10 OHM,25 WATT.....2 <i>for 218180</i>					
7	45385GT	PLUG,NYLON 1.12 BLACK DOMED.....1					
--	94549GT	SWITCH,LOAD LIMIT					
8	7056GT	CONN. SQZ, 1/2 NPT .38-50, SM					
--	101080GT	HARNESS,JIB SELECT MANIFOLD <i>includes squeeze connector and locknut</i>					
--	6935GT	LOCKNUT,ELEC,1/2"					
9	73723GT	CONN RECEP,FLANGED.....1					
--	54259GT	TERM,NI PIN, 14-16GA,BULK					
--	60443GT	LOCK,RECEP 4 WAY,14-18GA					
--	73233GT	ASSEMBLY,FOOT SWITCH***					
10	49820GT	SCREW,PHILLIPS,PHM,6-32 X .5					
11	12344GT	NUT,NYLOCK,6-32					
12	73717GT	CONN,RECEP 4 WAY,12-14GA FL***.....1					
--		HARNESS,12/3,12V TO PLAT <i>refer to 308.1</i>					

604.1 Joysticks



Item	Part No.	Description	Qty.
--	101174GT	JOYSTICK,2 AXIS,DEUTSCH <i>OEM joystick (calibration required after replacement)</i>	
--	101174HGT	JOYSTICK,DUAL AXIS W/KNOB <i>aftermarket joystick (calibration required after replacement)</i>	
--	101175GT	JOYSTICK,1 AXIS,DEUTSCH <i>OEM joystick (calibration required after replacement)</i>	
--	101175HGT	JOYSTICK,SINGLE AXIS W/KNOB <i>aftermarket joystick (calibration required after replacement)</i>	
--	101005GT	JOYSTICK,1 AXIS ROCKER,DEUTSCH <i>OEM joystick (calibration required after replacement)</i>	
--	101005HGT	JOYSTICK,SINGLE AXIS W/STEER <i>aftermarket joystick (calibration required after replacement)</i>	
--	83098GT	TERM,AMP MTE,SOC,22-26 GA BULK	
--	119613GT	HARN JOYSTICK ADAPTOR JS100 <i>6-pin to 7-pin adapter (for 101174, 101175, 101005)</i>	
Z	1269501GT	KIT, ISOLATION, 3 JOYSTICK	
1	62392GT	KNOB,JOYSTICK, 62390/62391.....	1
2	T112626GT	SCREW, PHM, #6-32 X .625 ZINC.....	1
3	139598GT	BOOT,JOYSTICK.....	1
4		SPRING,JOYSTK CENTR,62390/91..... <i>no longer available from supplier</i>	1
5	119915GT	COLLAR,JOYSTICK,CENTER.....	1
6	128000GT	SEAL, CONNECTOR (DT JOYSTICKS).....	1
7	128001GT	SLEEVE,CONNECTOR,DT JOYSTICKS.....	1
8	75449GT	KNOB,ROCKER JOYSTICK 75565.....	1
9	75448GT	SUPPORT,SENSOR,JOYSTICK.....	1
10	75447GT	SWITCH SHIELD,ROCK JOYSTK75565.....	1
11	75446GT	SPRING,SWITCH CENTERING,75565...1	
12	75445GT	ROCKER ASSY.,MAGNETIC 75565.....1	
13	75444GT	ROCKER,RETAINER, 75565.....1	
14	75443GT	BOOT, ROCKER JOYSTICK 75565.....1	

701.1 Traction Manifold



701.1 Traction Manifold

Item	Part No.	Description	Qty.	Item	Part No.	Description	Qty.
--		Ref. MANIFOLD,4WD <i>(101589 was replaced by 139391, the old valves are still available and listed below) (to SN Z513011B-653)</i>		4B	139509GT	VALVE, DIRECTION CONTROL, 2X2.....1 <i>(for manifold 139391, from SN Z513011B-654)</i>	
--	139391GT	MANIFOLD ASSY, Z45/Z51 4WD <i>(from SN Z513011B-654)</i>		--	139512GT	SEAL KIT, VALVE <i>(for manifold 139391, from SN Z513011B-654)</i>	
--	49612GT	O-RING KIT (ORFS FITTINGS)		5A	49207GT	NIPPLE,DIAGNOSTIC,ORFS,FM,SWIV..1 <i>Testing</i>	
--	49613GT	PLUG AND CAP KIT-SERVICE,ORFS*		5B	20224GT	DIAGNOSTIC FEMALE Q-DSCNT.....1	
1A	52726GT	VALVE,FLOW DIVIDER/COMBINER.....1 <i>U, Controls flow to non-steer end drive motors in forward and reverse (for manifold 101589, to SN Z513011B-653)</i>		6A	54572GT	VALVE.....1 <i>R, Charge pressure circuit that directs hot oil out of low pressure side of drive pump and allows low pressure flow path for brake release and 2-speed motor shift (for manifold 101589, to SN Z513011B-653)</i>	
--	84135GT	SEAL KIT, VALVE <i>(for manifold 101589, to SN Z513011B-653)</i>		--	84134GT	SEAL KIT, VALVE <i>(for manifold 101589, to SN Z513011B-653)</i>	
1B	139508GT	VALVE, FLOW DIVIDE/COMBINE 1:1.....1 <i>(for manifold 139391, from SN Z513011B-654)</i>		6B	139510GT	VALVE, SHUTTLE, 3X3.....1 <i>(for manifold 139391, from SN Z513011B-654)</i>	
--	139512GT	SEAL KIT, VALVE <i>(for manifold 139391, from SN Z513011B-654)</i>		--	139512GT	SEAL KIT, VALVE <i>(for manifold 139391, from SN Z513011B-654)</i>	
2A	52723GT	VALVE-FLOW REGULATOR 2 GPM.....1 <i>Z, Non-steer end drive motor circuit (for manifold 101589, to SN Z513011B-653)</i>		7A	31406GT	VALVE,RELIEF 250 PSI***.....1 <i>AD, Charge pressure circuit (for manifold 101589, to SN Z513011B-653)</i>	
--	89310GT	SEAL KIT, SOLENOID VALVE <i>(for manifold 101589, to SN Z513011B-653)</i>		--	110194GT	SEAL KIT, VALVE, #10 <i>(for manifold 101589, to SN Z513011B-653)</i>	
2B	139513GT	VALVE,PRES CMP/FLW CTRL,2.6GPM.....1 <i>(for manifold 139391, from SN Z513011B-654)</i>		7B	139516GT	VALVE, RELIEF, 250PSI.....1 <i>(for manifold 139391, from SN Z513011B-654)</i>	
--	139515GT	SEAL KIT, VALVE <i>(for manifold 139391, from SN Z513011B-654)</i>		--	139517GT	SEAL KIT, VALVE <i>(for manifold 139391, from SN Z513011B-654)</i>	
3A	54815GT	VALVE-FLOW REGULATOR 1.0GPM.....1 <i>X, Steer end drive motor circuit (for manifold 101589, to SN Z513011B-653)</i>		8A	62263GT	VALVE,SOLENOID, 2 POS, 3 WAY.....1 <i>AG, 2-speed motor shift (for manifold 101589, to SN Z513011B-653)</i>	
--	89310GT	SEAL KIT, SOLENOID VALVE <i>(for manifold 101589, to SN Z513011B-653)</i>		--	52943GT	NUT,SOLENOID VALVE COIL <i>(for manifold 101589, to SN Z513011B-653)</i>	
3B	139514GT	VALVE,PRES CMP/FLW CTRL,1.0GPM.....1 <i>(for manifold 139391, from SN Z513011B-654)</i>		--	62273GT	COIL,GREEN W/ 2 PIN CONNECTOR* <i>(for manifold 101589, to SN Z513011B-653)</i>	
--	139515GT	SEAL KIT, VALVE <i>(for manifold 139391, from SN Z513011B-654)</i>		--	72043GT	SEAL KIT,SOLENOID VALVE <i>(for manifold 101589, to SN Z513011B-653)</i>	
4A	52720GT	VALVE-DIRECT. CONTRL-2POS. 2WA.....1 <i>AV, 2 speed motor shift circuit/High speed bypass (for manifold 101589, to SN Z513011B-653)</i>		8B	139518GT	VALVE, SOLENOID, 2X3, 12V.....2 <i>(for manifold 139391, from SN Z513011B-654)</i>	
--	84135GT	SEAL KIT, VALVE <i>(for manifold 101589, to SN Z513011B-653)</i>		--	139519GT	COIL, SOLENOID VALVE, 12V 2PIN <i>(for manifold 139391, from SN Z513011B-654)</i>	



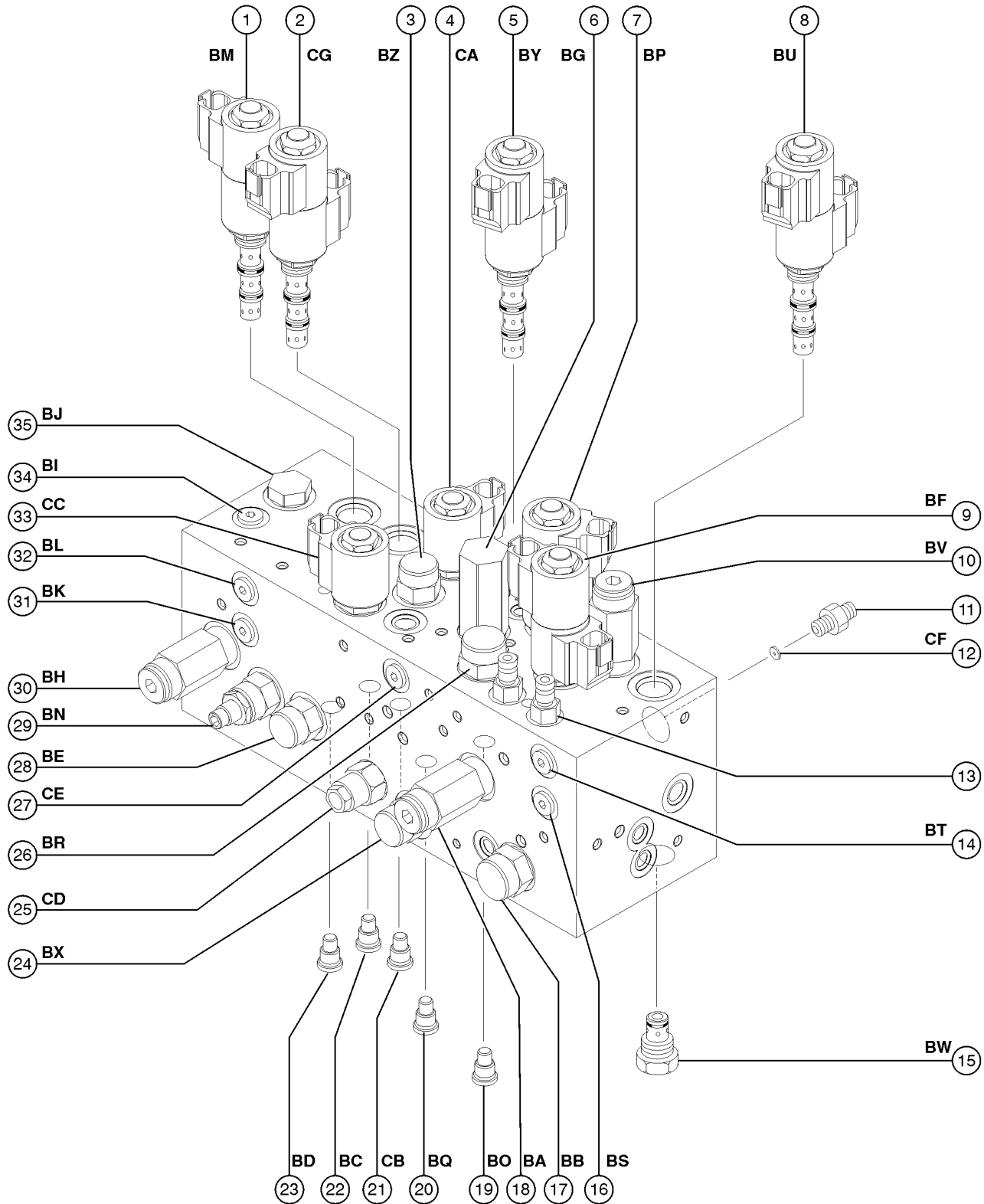
701.1 Traction Manifold  
(continued)

Item	Part No.	Description	Qty.	Item	Part No.	Description	Qty.
--	139520GT	NUT, SOLENOID VALVE <i>(for manifold 139391, from SN Z513011B-654)</i>		13A	33521GT	VALVE,FLOW DIVIDER/COMBINER.....1 <i>V, Controls flow to flow divider/ combiner valves 1 and 17 (for manifold 101589, to SN Z452510A-39750 and to SN Z452511B-1606)</i>	
--	139521GT	SEAL KIT, VALVE <i>(for manifold 139391, from SN Z513011B-654)</i>		--	84135GT	SEAL KIT, VALVE <i>(for manifold 101589, to SN Z513011B-653)</i>	
9A	52724GT	PLUG,ORIFICE,0.030 (50684).....1 <i>AE, Brake and 2-speed circuit (for manifold 101589, to SN Z513011B-653)</i>	1	13B	139511GT	VALVE, FLOW DIVIDE/COMBINE 2:1.....1 <i>(for manifold 139391, from SN Z513011B-654)</i>	
9B	139522GT	ORIFICE, 0.030".....1 <i>(for manifold 139391, from SN Z513011B-654)</i>	1	--	139512GT	SEAL KIT, VALVE <i>(for manifold 139391, from SN Z513011B-654)</i>	
10A	62263GT	VALVE,SOLENOID, 2 POS, 3 WAY.....1 <i>AF, Brake circuit (for manifold 101589, to SN Z513011B-653)</i>	1	14A	27836GT	VALVE,CHECK,5 PSI.....1 <i>AC, Steer end drive motor circuit (for manifold 101589, to SN Z513011B-653)</i>	
--	52943GT	NUT,SOLENOID VALVE COIL <i>(for manifold 101589, to SN Z513011B-653)</i>		--	110194GT	SEAL KIT, VALVE, #10 <i>(for manifold 101589, to SN Z513011B-653)</i>	
--	62273GT	COIL, GREEN W/ 2 PIN CONNECTOR* <i>(for manifold 101589, to SN Z513011B-653)</i>		14B	139527GT	VALVE, CHECK, 5PSI.....1 <i>(for manifold 139391, from SN Z513011B-654)</i>	
--	72043GT	SEAL KIT,SOLENOID VALVE <i>(for manifold 101589, to SN Z513011B-653)</i>		--	139515GT	SEAL KIT, VALVE <i>(for manifold 139391, from SN Z513011B-654)</i>	
10B	139518GT	VALVE, SOLENOID, 2X3, 12V.....1 <i>(for manifold 139391, from SN Z513011B-654)</i>	1	15A	65449GT	PLUG,ORIFICE, 0.052 (40033).....1 <i>Y, Drive circuit (for manifold 101589, to SN Z452510A-39750 and to SN Z452511B-1606)</i>	
--	139519GT	COIL, SOLENOID VALVE, 12V 2PIN <i>(for manifold 139391, from SN Z513011B-654)</i>		15B	139524GT	ORIFICE, 0.052".....1 <i>(for manifold 139391, from SN Z513011B-654)</i>	
--	139520GT	NUT, SOLENOID VALVE <i>(for manifold 139391, from SN Z513011B-654)</i>		16A	27836GT	VALVE,CHECK,5 PSI.....1 <i>T, Steer end drive motor circuit (for manifold 101589, to SN Z513011B-653)</i>	
--	139521GT	SEAL KIT, VALVE <i>(for manifold 139391, from SN Z513011B-654)</i>		--	110194GT	SEAL KIT, VALVE, #10 <i>(for manifold 101589, to SN Z513011B-653)</i>	
11A	27807GT	VALVE,CHECK*** .....1 <i>AH, 2 speed motor shift circuit (for manifold 101589, to SN Z513011B-653)</i>	1	16B	139527GT	VALVE, CHECK, 5PSI.....1 <i>(for manifold 139391, from SN Z513011B-654)</i>	
--	110200GT	SEAL KIT, VALVE, #4 <i>(for manifold 101589, to SN Z513011B-653)</i>		--	139515GT	SEAL KIT, VALVE <i>(for manifold 139391, from SN Z513011B-654)</i>	
11B	139525GT	VALVE, CHECK.....1 <i>(for manifold 139391, from SN Z513011B-654)</i>	1	17A	52726GT	VALVE,FLOW DIVIDER/COMBINER.....1 <i>W, Controls flow to steer end drive motors in forward and reverse (for manifold 101589, to SN Z513011B-653)</i>	
--	139526GT	SEAL KIT, VALVE <i>(for manifold 139391, from SN Z513011B-654)</i>		--	84135GT	SEAL KIT, VALVE <i>(for manifold 101589, to SN Z513011B-653)</i>	
12A	74990GT	ORIFICE, 0.025"(74129)*.....1 <i>AI, 2 speed motor shift circuit (for manifold 101589, to SN Z513011B-653)</i>	1	17B	139508GT	VALVE, FLOW DIVIDE/COMBINE 1:1.....1 <i>(for manifold 139391, from SN Z513011B-654)</i>	
12B	139523GT	ORIFICE, 0.025".....1 <i>(for manifold 139391, from SN Z513011B-654)</i>	1				

701.1 Traction Manifold  
(continued)

Item	Part No.	Description	Qty.
--	139512GT	SEAL KIT, VALVE <i>(for manifold 139391, from SN Z513011B-654)</i>	
18A	27836GT	VALVE,CHECK,5 PSI.....1 <i>S, Non-steer end drive motor circuit (for manifold 101589, to SN Z452510A-39750 and to SN Z452511B-1606)</i>	
--	110194GT	SEAL KIT, VALVE, #10 <i>(for manifold 101589, to SN Z513011B-653)</i>	
18B	139527GT	VALVE, CHECK, 5PSI.....1 <i>(for manifold 139391, from SN Z513011B-654)</i>	
--	139515GT	SEAL KIT, VALVE <i>(for manifold 139391, from SN Z513011B-654)</i>	
19A	27836GT	VALVE,CHECK,5 PSI.....1 <i>AA, Non-steer end drive motor circuit (for manifold 101589, to SN Z513011B-653)</i>	
--	110194GT	SEAL KIT, VALVE, #10 <i>(for manifold 101589, to SN Z513011B-653)</i>	
19B	139527GT	VALVE, CHECK, 5PSI.....1 <i>(for manifold 139391, from SN Z513011B-654)</i>	
--	139515GT	SEAL KIT, VALVE <i>(for manifold 139391, from SN Z513011B-654)</i>	

702.1 Function Manifold



## 702.1 Function Manifold

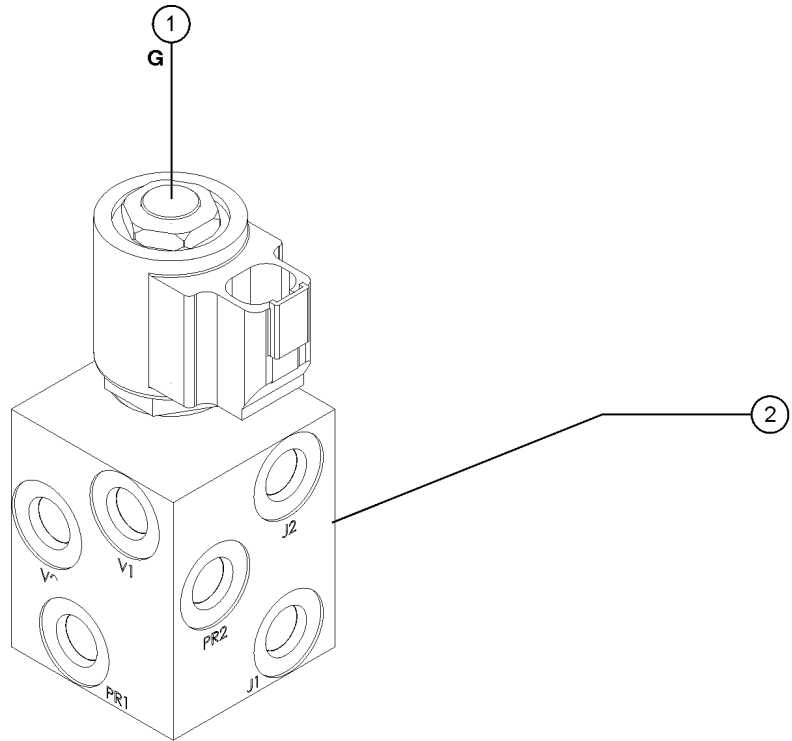
Item	Part No.	Description	Qty.	Item	Part No.	Description	Qty.
--	110273GT	MANIFOLD,FUNCTION,IC		12	47092GT	ORIFICE DISC,.046",GREEN <i>CF, Secondary boom down circuit (located under fitting)</i>	
1	39346GT	VALVE,SOLENOID 3 POS.4 WAY*** <i>BM, Platform level up/down, valve includes nut and spacer only</i>		13	48997GT	NIPPLE,DIAGNOSTIC,#4 <i>Testing</i>	
--	44229GT	SEAL KIT, VALVE		--	20224GT	DIAGNOSTIC FEMALE Q-DSCNT	
1A	89863GT	COIL,10V DC,DEUTCH W/DIODE***		14	52907GT	VALVE-CHECK, #4 SAE, 5 PSI* <i>BT, Differential sensing circuit, secondary boom down</i>	
2	39346GT	VALVE,SOLENOID 3 POS.4 WAY*** <i>CG, Platform rotate left/right and jib boom up/down, valve includes nut and spacer only</i>		--	62341GT	SEAL KIT,52907,SIZE 4, 2 WAY	
--	44229GT	SEAL KIT, VALVE		15	44178GT	VALVE,CHECK,5 PSI** <i>BW, Secondary boom circuit</i>	
2A	89863GT	COIL,10V DC,DEUTCH W/DIODE***		--	44224GT	SEAL KIT, VALVE	
3	62346GT	VALVE,FLOW REGULATOR, 2.0 GPM* <i>BZ, Primary boom extension circuit</i>		16	52907GT	VALVE-CHECK, #4 SAE, 5 PSI* <i>BS, Differential sensing circuit, secondary boom up</i>	
--	44228GT	SEAL KIT, VALVE		--	62341GT	SEAL KIT,52907,SIZE 4, 2 WAY	
4	62815GT	VALVE,SOLENOID,2POS 3 WAY*** <i>CA, Primary boom extend, valve includes nut and spacer only</i>		17	94617GT	VALVE,PRIO FLOW REG,1.5 GPM <i>BB, Steer circuit</i>	
--	52371GT	SEAL KIT, VALVE		--	44225GT	SEAL KIT, VALVE	
4A	89863GT	COIL,10V DC,DEUTCH W/DIODE***		18	52906GT	VALVE-RELIEF,3200 PSI <i>BA, System relief</i>	
5	94614GT	VALVE,PROP,3 POS,4-WAY*** <i>BY, Primary boom up/down, valve includes nut and spacer only</i>		--	44227GT	SEAL KIT, VALVE	
--	44229GT	SEAL KIT, VALVE		19	826779GT	VALVE,SHUTTLE <i>BO, Turntable rotate circuit</i>	
5A	89863GT	COIL,10V DC,DEUTCH W/DIODE***		20	52907GT	VALVE-CHECK, #4 SAE, 5 PSI* <i>BQ, Differential sensing circuit, turntable rotate</i>	
6	94616GT	VALVE,DIFF SENSING,160 PSI <i>BG, Meters flow to functions</i>		--	62341GT	SEAL KIT,52907,SIZE 4, 2 WAY	
--	62337GT	SEAL KIT, VALVE		21	52907GT	VALVE-CHECK, #4 SAE, 5 PSI* <i>CB, Differential sensing circuit, primary boom retract</i>	
7	107816GT	VALVE,PROPORTIONAL 3 POS 4 WY* <i>BP, Turntable rotate left/right, valve includes nut and spacer only</i>		--	62341GT	SEAL KIT,52907,SIZE 4, 2 WAY	
--	44229GT	SEAL KIT, VALVE		22	52907GT	VALVE-CHECK, #4 SAE, 5 PSI* <i>BC, Differential sensing circuit, platform rotate left / jib boom up</i>	
7A	89863GT	COIL,10V DC,DEUTCH W/DIODE***		--	62341GT	SEAL KIT,52907,SIZE 4, 2 WAY	
8	107816GT	VALVE,PROPORTIONAL 3 POS 4 WY* <i>BU, Secondary boom up/down, valve includes nut and spacer only</i>		23	52907GT	VALVE-CHECK, #4 SAE, 5 PSI* <i>BD, Differential sensing circuit, platform rotate right / jib boom down</i>	
--	44229GT	SEAL KIT, VALVE		--	62341GT	SEAL KIT,52907,SIZE 4, 2 WAY	
8A	89863GT	COIL,10V DC,DEUTCH W/DIODE***		24	32975GT	VALVE,FLOW REGULATOR 0.1 GPM <i>BX, Differential sensing circuit, primary boom up/down</i>	
9	44168GT	VALVE,SOLENOID,3POS 4WAY <i>BF, Steer left/right, valve includes nut and spacer only</i>		--	44228GT	SEAL KIT, VALVE	
--	44229GT	SEAL KIT, VALVE		25	54063GT	VALVE,CB.CBBC-LHN@1000*** <i>CD, Primary boom down circuit</i>	
9A	89863GT	COIL,10V DC,DEUTCH W/DIODE***		--	43018GT	SEAL KIT (39345)	
10	101277GT	VALVE,RELIEF,2100 PSI*** <i>BV, Secondary boom down</i>		26	110180GT	VALVE, COMPENSATOR, 80 PSI <i>BR, Turntable rotate circuit</i>	
--	44227GT	SEAL KIT, VALVE					
11		Ref. Fitting (refer to Figure 803.1, 804.1 or 805.1)					

702.1 Function Manifold  
(continued)

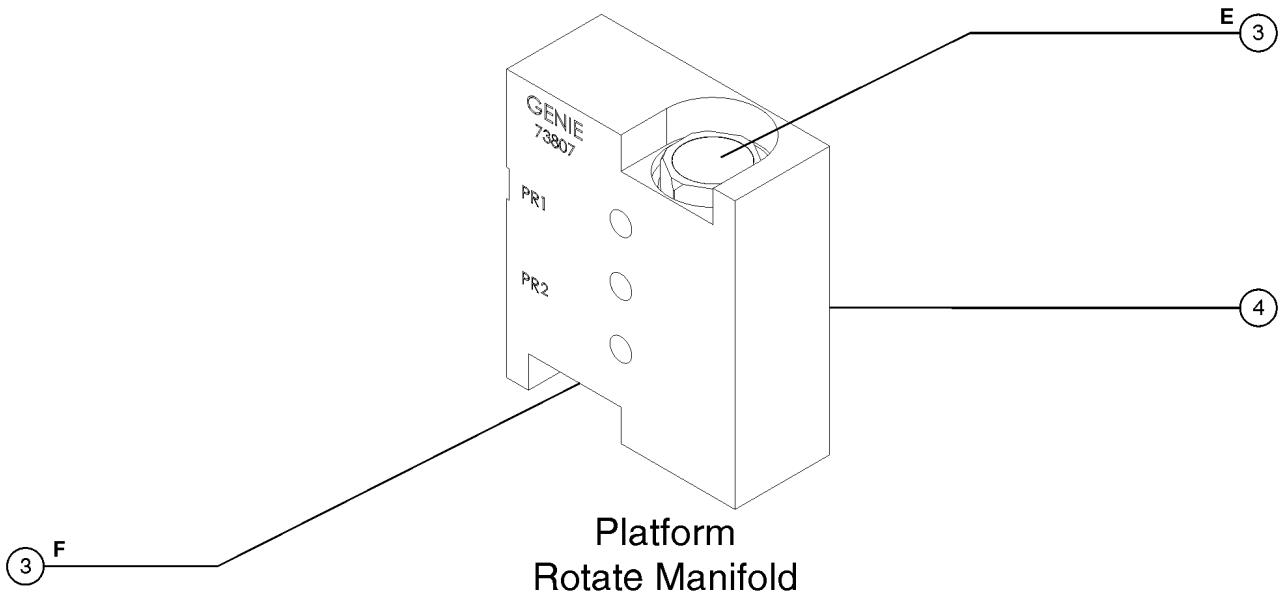
Item	Part No.	Description	Qty.
--	44225GT	SEAL KIT, VALVE	
27	44216GT	VALVE,SHUTTLE <i>CE, Differential sensing circuit, primary boom up/down</i>	
--	44235GT	SEAL KIT-FOR PN.44216 & 826779	
28	94618GT	VALVE,FLOW CONTROL,.4 GPM <i>BE, Platform rotate / jib boom circuit primary boom up/down</i>	
--	44228GT	SEAL KIT, VALVE	
29	101055GT	VALVE,NEEDLE,FINE ADJUSTMENT** <i>BN, Platform level circuit</i>	
--	44228GT	SEAL KIT, VALVE	
30	101114GT	VALVE RELIEF,2500PSI(88513)** <i>BH, Platform level circuit</i>	
--	44227GT	SEAL KIT, VALVE	
31	52907GT	VALVE-CHECK, #4 SAE, 5 PSI* <i>BK, Differential sensing circuit, platform level up</i>	
--	62341GT	SEAL KIT,52907,SIZE 4, 2 WAY	
32	52907GT	VALVE-CHECK, #4 SAE, 5 PSI* <i>BL, Differential sensing circuit, platform level down</i>	
--	62341GT	SEAL KIT,52907,SIZE 4, 2 WAY	
33	62815GT	VALVE,SOLENOID,2POS 3 WAY*** <i>CC, Primary boom retract (does not include a coil)</i>	
--	52371GT	SEAL KIT, VALVE	
33A	89863GT	COIL,10V DC,DEUTCH W/DIODE*** <i>(not a component of 62815)</i>	
34	44216GT	VALVE,SHUTTLE <i>BI, Platform level circuit</i>	
--	44235GT	SEAL KIT-FOR PN.44216 & 826779	
35	101958GT	VALVE,CHECK,DUAL PILOT,135 PSI <i>BJ, Platform level circuit</i>	
--	44229GT	SEAL KIT, VALVE	

*This Page Intentionally Left Blank*

703.1 Jib and Platform Rotate Manifolds



Jib Manifold



Platform Rotate Manifold

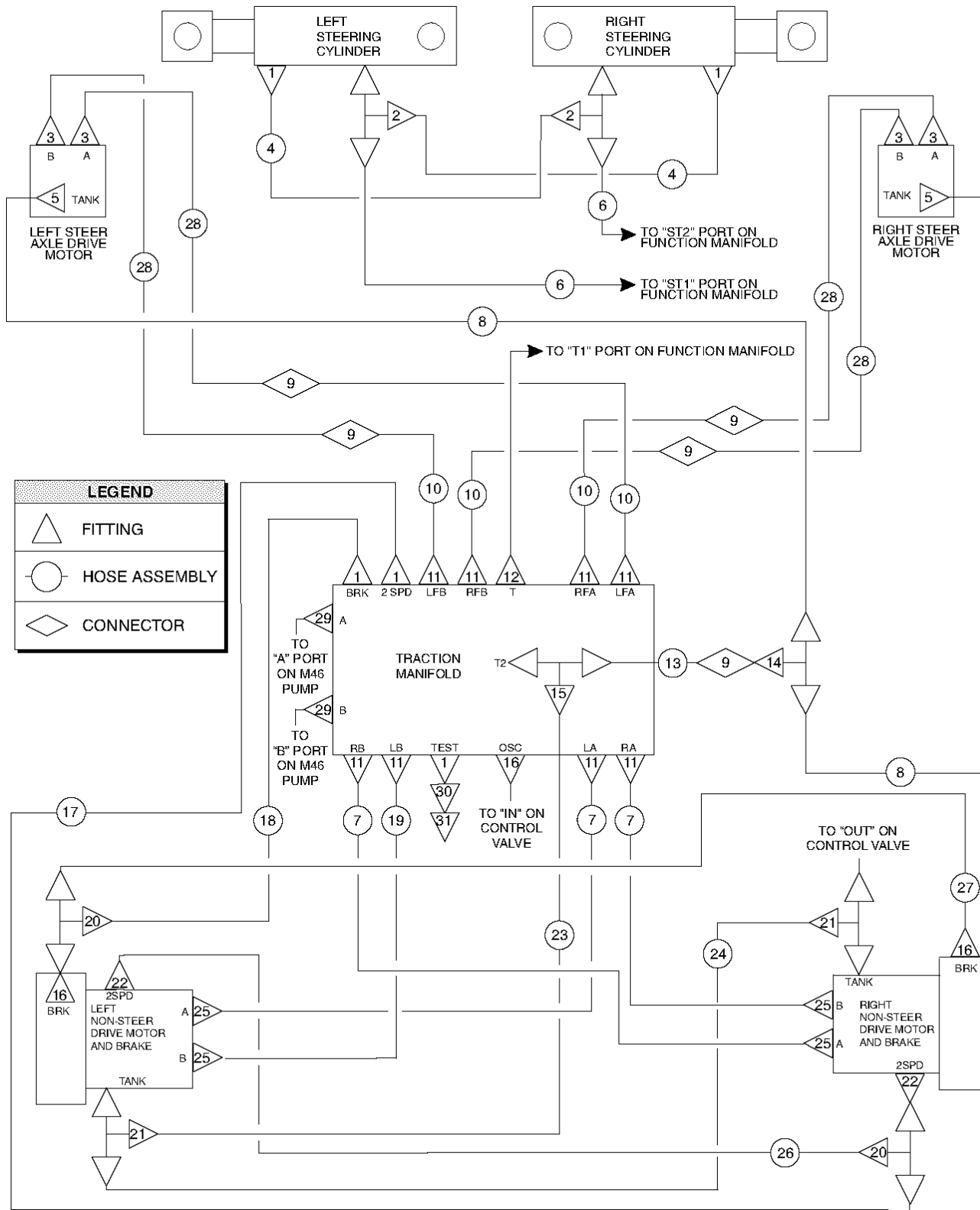
703.1 Jib and Platform Rotate Manifolds

Item	Part No.	Description	Qty.
1A	89862GT	VALVE-SOLENOID,2POS 3WAY,JIB** <i>G, Platform rotate left/right and jib boom up/down, for 88786, does not include the coil or nut, 104759 or 44174</i>	
--	104759GT	COIL,12VDC #8 DTSCH IP69 ECOIL	
--	44174GT	NUT-COIL SHORT	
--	89864GT	SEAL KIT,SOLENOID VALVE, SV07	
1B	52897GT	VALVE,SOLENOID, 2POS/3WAY*** <i>G, Platform rotate left/right and jib boom up/down, for 1256670, does not include the coil or nut, 104759 or 44174</i>	
--	104759GT	COIL,12VDC #8 DTSCH IP69 ECOIL	
--	44174GT	NUT-COIL SHORT	
--	52371GT	SEAL KIT, VALVE	
2	1256670GT	MANIFOLD,JIB SELECT W/QD PLUG <i>includes item 1, replaced 88786</i>	
--	104759GT	COIL,12VDC #8 DTSCH IP69 ECOIL	
--	44174GT	NUT-COIL SHORT	
--	52371GT	SEAL KIT, VALVE <i>for 52897</i>	
--	52897GT	VALVE,SOLENOID, 2POS/3WAY***	
3	62506GT	VALVE - COUNTERBALANCE**.....1 <i>E and F, Platform rotate circuit</i>	
--	43018GT	SEAL KIT (39345) <i>for 62506</i>	
4	73807GT	MANIFOLD,ROTATOR,CB***.....1 <i>includes item 3</i>	
--	43018GT	SEAL KIT (39345)	
--	62507GT	O-RING, ROTATOR MANIFOLD <i>for 62507</i>	



Item	Part No.	Description	Qty.
1	81013GT	PUMP,PIGGBACK,11CC,11 TOOTH*** .....1	1
--	81669GT	SEAL KIT,11 TOOTH PUMP***	
2	43683GT	O-RING,2-042 N674-70*** .....1	1
3	77788GT	PUMP,PISTON,49CC*** .....1	1
--	101294GT	KIT,CHARGE PUMP	
--	106835GT	CONTROLLER W/O COILS (77788) <i>(first time replacement requires 1285505GT)</i>	
--	106836GT	O-RING,STEM,EATON	
--	106837GT	NUT,STEM,EATON***	
--	107813GT	SPACER,EATON PUMP SHAFT SEAL** <i>check pump date code, for pumps after 031505</i>	
--	107814GT	SEAL,SHAFT,EATON PUMP***	
--	107815GT	SNAP RING,PUMP SHAFT SEAL ***	
--	107842GT	KIT,PUMP SHAFT SEAL W/INST*** <i>includes PNs 107812, 107813, 107814, 107815</i>	
--	128423GT	KIT,CHARGE PUMP HOUSING	
--	1285505GT	KIT,SOLENOID CONTROL SERVICE <i>includes two coils</i>	
--	1285506GT	SEAL RING,SOLENOID CONTROL <i>(for 1285505GT)</i>	
--	43683GT	O-RING,2-042 N674-70***	
--	58431GT	SEAL KIT,PUMP SHAFT (EATON)*** <i>check pump date code, if after 031505, must also order 107813 qty 1</i>	
--	82431GT	HOSE ASM-JCAF310-06-41	
4	33988GT	SCREW,SHC,3/8-16 X 1.....2	2
5	57201GT	WASHER,FLAT,313, HARDENED.....2	2
6	22788GT	SCREW,HHC,1/2-13 X 1.75.....2	2
7	13066GT	WASHER,FLAT,5 HARDENED.....2	2

801.1 Drive and Steer System

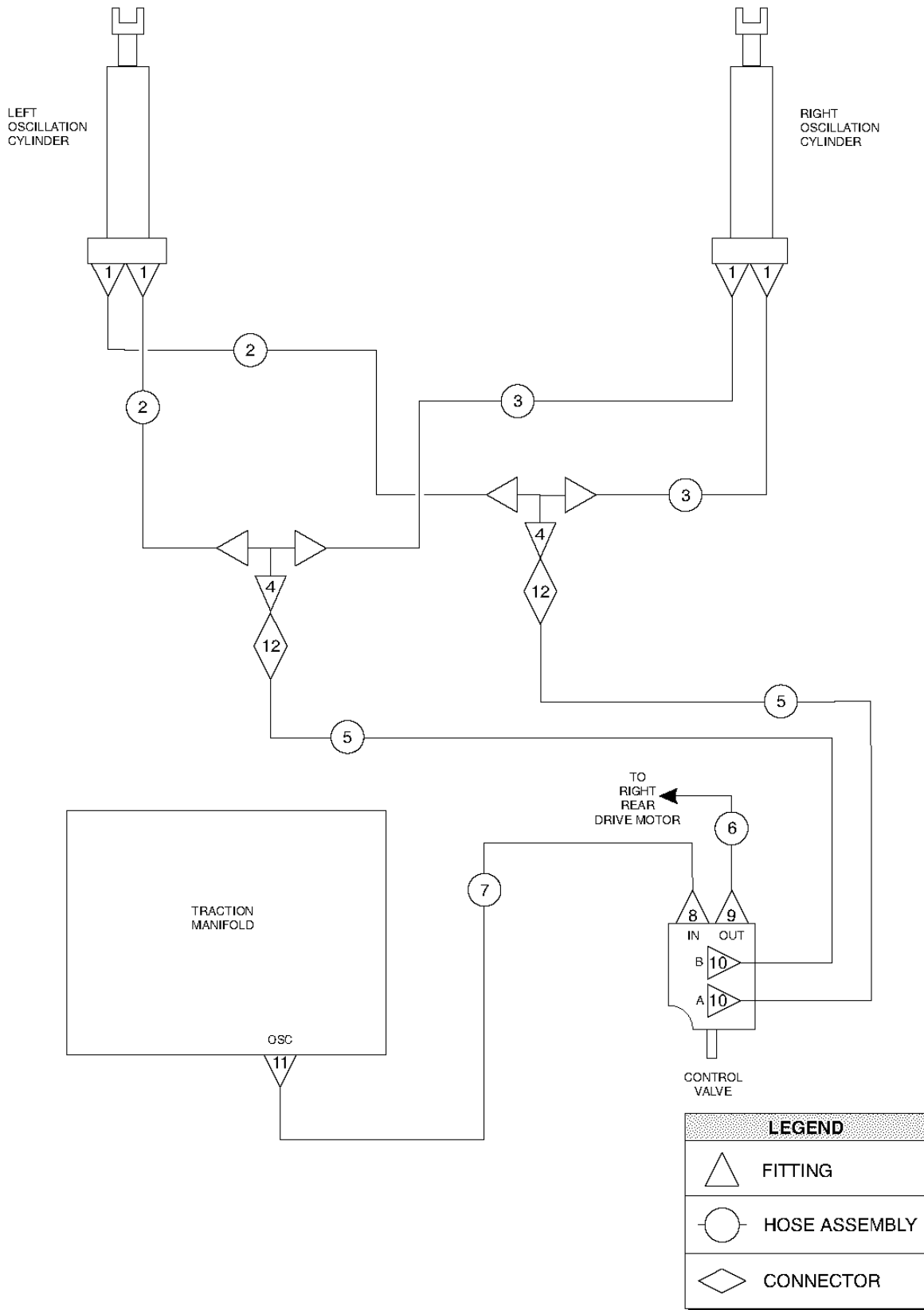


801.1 Drive and Steer System

Item	Part No.	Description	Qty.	Item	Part No.	Description	Qty.
--		<i>The hose lengths below reflect the length of the hose only. Refer to the 'Fittings Cross Reference' to match Genie part numbers to Parker part numbers.</i>		25	48947GT	ELBOW,90D,520220-8-12.....	4
1	48904GT	ELBOW,90D,520220-4-4.....	5	26	49119-5203GT	HOSE ASSY,1/4,STR FEM,STR FEM..... <i>Components: Genie part numbers 48800, 48800 and 48751 @ 50.3 inches</i>	1
2	48906GT	TEE,RUN,520428-4.....	2	27	49119-5778GT	HOSE ASSY,1/4,STR FEM,STR FEM..... <i>Components: Genie part numbers 48800, 48800 and 48751 @ 56 inches</i>	1
3	48946GT	CONN,520120-8-10.....	4	28	77312-3577GT	HOSE ASSY,DMANIF/LR&RR BRAKE... <i>Components: Genie part numbers 48826, 77307 and 48758 @ 32 inches</i>	4
4	49119-3203GT	HOSE ASSY,1/4,STR FEM,STR FEM..... <i>Components: Genie part numbers 48800, 48800 and 48751 @ 30.3 inches</i>	2	29	48960GT	FITTING,CONN,520120-12.....	2
5	48930GT	CONN,520120-6-8.....	2	30	49207GT	NIPPLE,DIAGNOSTIC,ORFS,FM,SWIV..	1
6	49117-14391GT	HOSE ASSY,1/4,90 FEM,STR FEM..... <i>Components: Genie part numbers 48800, 48802 and 48751 @ 142 inches</i>	2	31	48880GT	CAP,DIAGNOSTIC NIPPLE.....	1
7	61143-3963GT	HOSE ASSY,1/2,45 FEM STR FEM..... <i>Components: Genie part numbers 48822, 48826 and 56777 @ 37 inches</i>	3				
8	49133-5140GT	HOSE ASSY,T FITTING/DRIVEMOTOR..... <i>Components: Genie part numbers 48815, 48819 and 48753 @ 49 inches</i>	2				
9	77309GT	NUT,BULKHEAD,520118-8.....	5				
10	49110-7592GT	HOSE ASSY,D.MANIF/FR D.MOTORS... <i>Components: Genie part numbers 48822, 48822 and 48758 @ 74 inches</i>	4				
11	48933GT	CONN,520120-8***.....	8				
12	48948GT	CONN,520120-8-12.....	1				
13	77311-5906GT	HOSE ASSY,BRKT./D.MANIFOLD..... <i>Components: Genie part numbers 48822, 77307 and 48756 @ 56 inches</i>	1				
14	48939GT	TEE,BRANCH,520433-8.....	1				
15	48936GT	TEE,BRANCH,520429-8.....	1				
16	48905GT	CONN,520120-4***.....	3				
17	49117-6141GT	HOSE ASSY,1/4,90 FEM,STR FEM..... <i>Components: Genie part numbers 48800, 48802 and 48751 @ 59.5 inches</i>	1				
18	49117-5091GT	HOSE ASSY,1/4,90 FEM,STR FEM..... <i>Components: Genie part numbers 48800, 48802 and 48751 @ 49 inches</i>	1				
19	81812-3892GT	HOSE ASSY,1/2"..... <i>Components: Genie part numbers 48822, 48822 and 56777 @ 37 inches</i>	1				
20	48908GT	FITTING,TEE,RUN,SWIVEL520432-4....	2				
21	48935GT	TEE,RUN,520428-8.....	2				
22	48911GT	ELBOW,90D,520220-4-6***.....	2				
23	94464-4886GT	HOSE ASSY,1/2 STR FEM,STR FEM..... <i>Components: Genie part numbers 48808, 77703 and 39888 @ 47 inches</i>	1				
24	94464-6586GT	HOSE ASSY,1/2"..... <i>Components: Genie part numbers 48808, 77703 and 39888 @ 64 inches</i>	1				

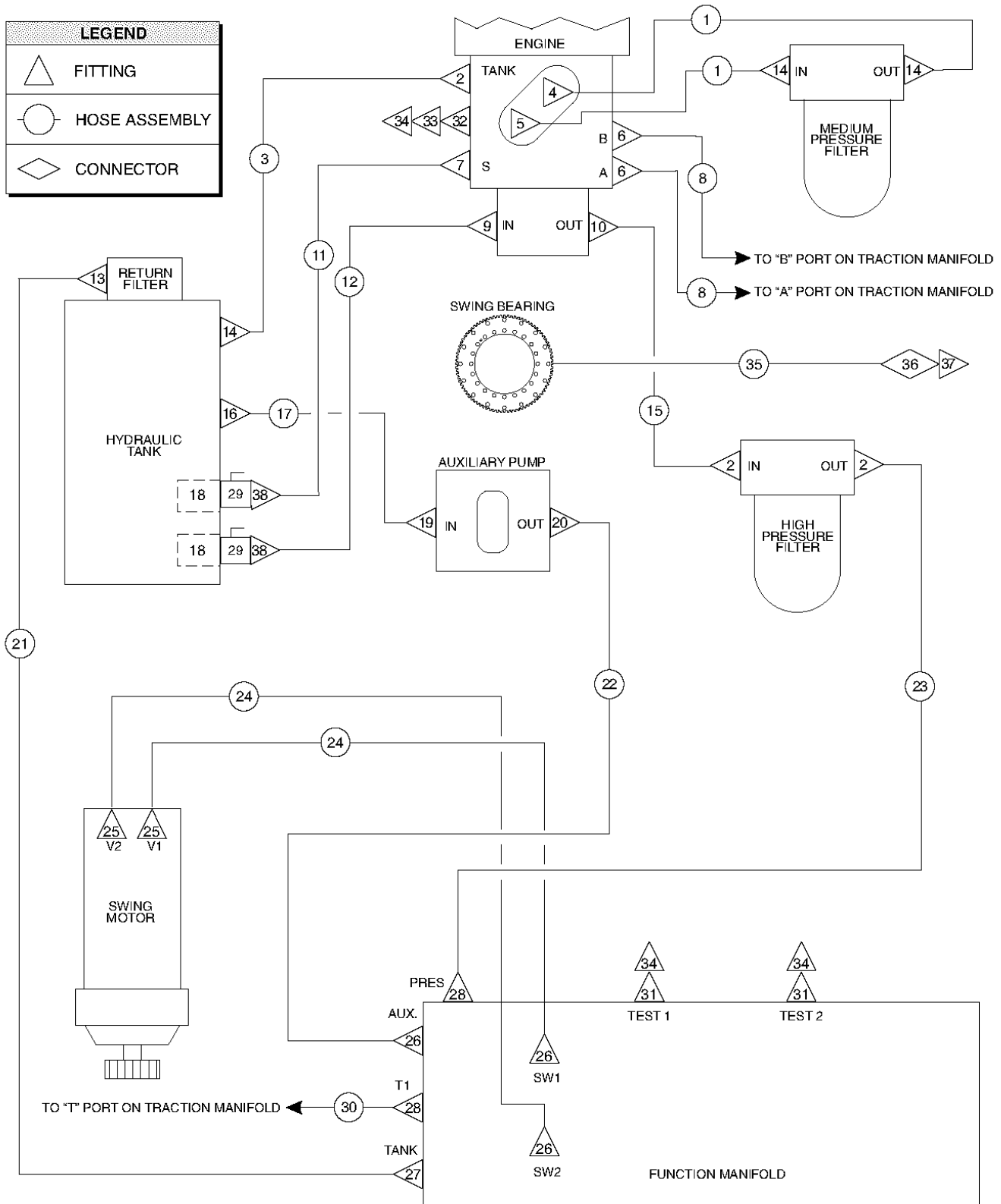


802.1 Oscillate System



Item	Part No.	Description	Qty.
--		<i>The hose lengths below reflect the length of the hose only. Refer to the 'Fittings Cross Reference' to match Genie part numbers to Parker part numbers.</i>	
1	48912GT	CONN,520120-4-6***.....	4
2	49117-2091-SGT	HOSE ASSY,1/4,90 FEM,STR FEM..... <i>Components: Genie part numbers 48800, 48802 and 48751 @ 19 inches</i>	2
3	49117-3191GT	HOSE ASSY,1/4,90 FEM,STR FEM..... <i>Components: Genie part numbers 48800, 48802 and 48751 @ 30 inches</i>	2
4	48891GT	FITTING,TEE,BRANCH,520433-4.....	2
5	88636-9073GT	HOSE ASSY 1/4,STR FEM,STR BULK... <i>Components: Genie part numbers 48800, 75628 and 48751 @ 88 inches</i>	2
--	75574GT	NUT,BULKHEAD,520118-4 <i>(item sold seperately)</i>	
6	94464-5086GT	HOSE ASSY,1/2"..... <i>Components: Genie part numbers 48808, 77703 and 39888 @ 49 inches</i>	1
7	49117-3791GT	HOSE ASSY,1/4,90 FEM,STR FEM**..... <i>Components: Genie part numbers 48800, 48802 and 48751 @ 36 inches</i>	1
8	48914GT	CONN,520120-4-8.....	1
9	48933GT	CONN,520120-8***.....	1
10	48911GT	ELBOW,90D,520220-4-6***.....	2
11	48905GT	CONN,520120-4***.....	1
12	75574GT	NUT,BULKHEAD,520118-4.....	2

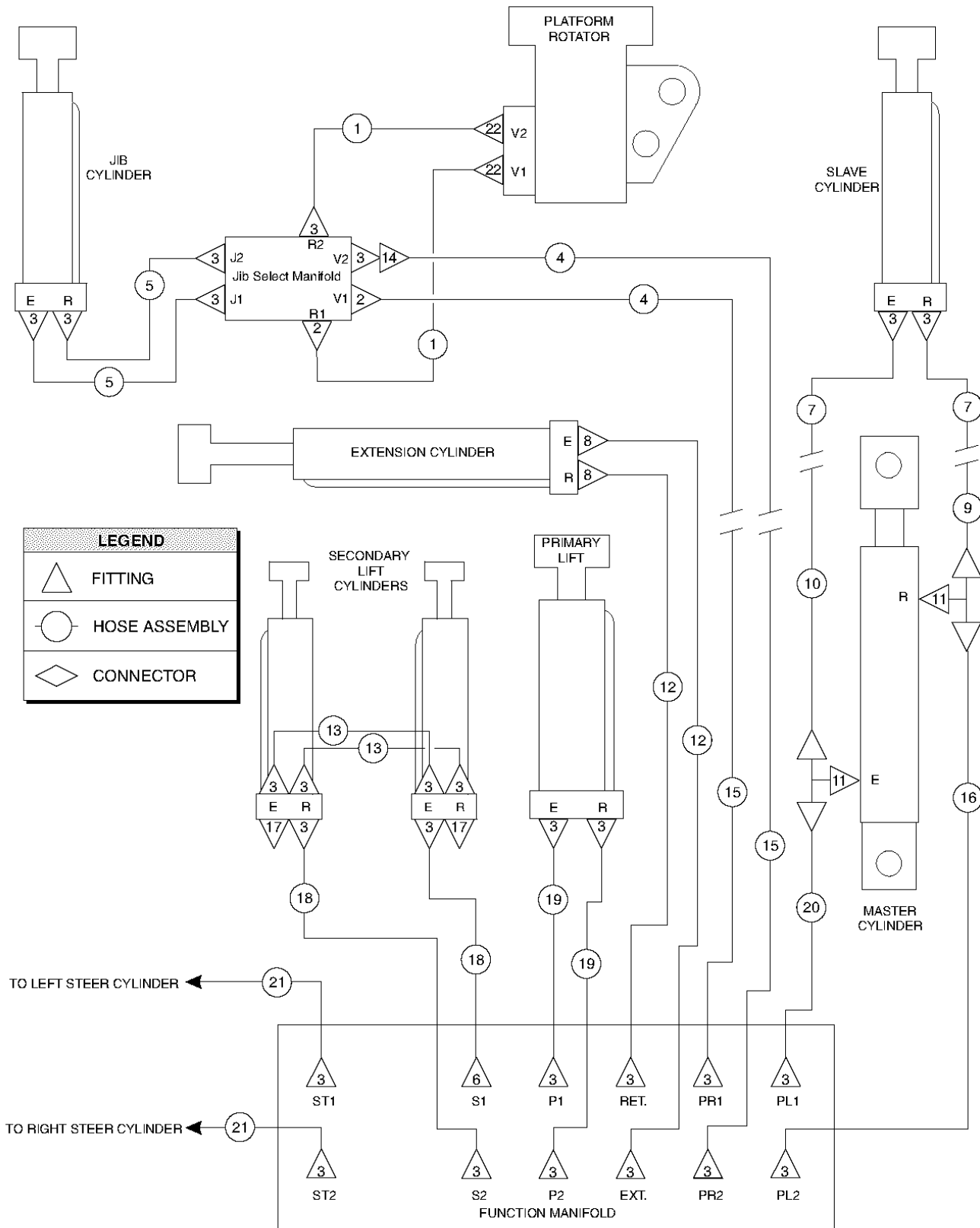
803.1 Turntable Components



803.1 Turntable Components

Item	Part No.	Description	Qty.	Item	Part No.	Description	Qty.
--		<i>The hose lengths below reflect the length of the hose only. Refer to the 'Fittings Cross Reference' to match Genie part numbers to Parker part numbers.</i>		24	49119-5078GT	HOSE ASSY,1/4,STR FEM,STR FEM*....2 <i>Components: Genie part numbers 48800, 48800 and 48751 @ 49 inches</i>	
1	49141-2350GT	HOSE ASSY,1/2,45 FEM,STR FEM.....2 <i>Components: Genie part numbers 48822, 48826 and 48756 @ 20.9 inches</i>		25	48904GT	ELBOW,90D,520220-4-4.....2	
2	48948GT	CONN,520120-8-12.....3		26	48905GT	CONN,520120-4***.....3	
3	49141-5863GT	HOSE ASSY,1/2,45 FEM,STR FEM**.....1 <i>Components: Genie part numbers 48822, 48826 and 48756 @ 56 inches</i>		27	48959GT	FITTING,ELBOW,90D,520220-12.....1	
4	48946GT	CONN,520120-8-10.....1		28	48933GT	CONN,520120-8***.....2	
5	48949GT	CONN,520120-8-16.....1		29	48996GT	VALVE,BALL,16 MSAE-16 FSAE***	
6	48978GT	ELBOW,45D,520320-12-16.....2		30	<del>49183-1082SGT</del>	HOSE ASSY,1/2,STR FEM,STR FEM.....1 <i>Components: Genie part numbers 48822, 48822 and 48756 @ 105 inches</i>	
7	48985GT	ELBOW,45D,520320-16.....1		31	48997GT	NIPPLE,DIAGNOSTIC,#4.....2	
8	94374-10830GT	HOSE ASSY,3/4,90 FEM,STR FEM.....2 <i>Components: Genie part numbers 48841, 48846 and 94358 @ 105 inches</i>		32	48914GT	CONN,520120-4-8.....1	
--	48767GT	SLEEVE,NYLON,1.42 ID.....20-inches		33	49207GT	NIPPLE,DIAGNOSTIC,ORFS,FM,SWIV..1	
9	48983GT	ELBOW,90D,520220-16.....1		34	48880GT	CAP,DIAGNOSTIC NIPPLE.....3	
10	48999GT	VALVE,CHK,#8PORT-#8MALEORFS.....1		35	88635-4024GT	HOSE ASSY 1/4,STR FEM,PIPETHRE..1 <i>Components: Genie part numbers 48805, 54954 and 48751 @ 38 inches</i>	
11	119993-3828GT	HOSE ASSY 1",STR FEM,STR FEM.....1 <i>Components: Genie part numbers 88938, 88941 and 88940 @ 36 inches</i>		36	48885GT	CONNECTOR,BULKHEAD,FEMALE-4...1	
--	28678-1600GT	SLEEVE,NYLON,2" I.D.,BULK(100').....1		37	94643GT	ZERK,GREASE,5/16-24,STRAIT.....1	
12	119993-4928GT	HOSE ASSY 1",STR FEM,STR FEM.....1 <i>Components: Genie part numbers 88938, 88941 and 88940 @ 47 inches</i>		38	48984GT	CONN,520120-16.....2	
--	28678-2600GT	SLEEVE,NYLON,2" I.D.,BULK(100').....1					
13	48977GT	CONN,520120-12-16.....1					
14	48932GT	FITTING,ELBOW,90D,520220-8***.....3					
15	75278-1829GT	HOSE ASSY,1/2,90 FEM,STR FEM.....1 <i>Components: Genie part numbers 48822, 48827 and 56777 @ 16 inches</i>					
16	48930GT	CONN,520120-6-8.....1					
17	70639-2878GT	HOSE ASSY,3/8,STR FEM,90D FEM.....1 <i>Components: Genie part numbers 70640, 77949 and 75631 @ 27 inches</i>					
18	147419GT	KIT,STRAINER REPLACEMENT.....2					
19	48916GT	FITTING,CONN,520120-6.....1					
20	48912GT	CONN,520120-4-6***.....1					
21	49150-3630GT	HOSE ASSY,3/4,90 FEM,STR FEM.....1 <i>Components: Genie part numbers 48841, 48846 and 48761 @ 33 inches</i>					
22	49119-5878GT	HOSE ASSY,1/4,STR FEM,STR FEM.....1 <i>Components: Genie part numbers 48800, 48800 and 48751 @ 57 inches</i>					
23	75278-8229GT	HOSE ASSY,1/2,90 FEM,STR FEM.....1 <i>Components: Genie part numbers 48822, 48827 and 56777 @ 80 inches</i>					

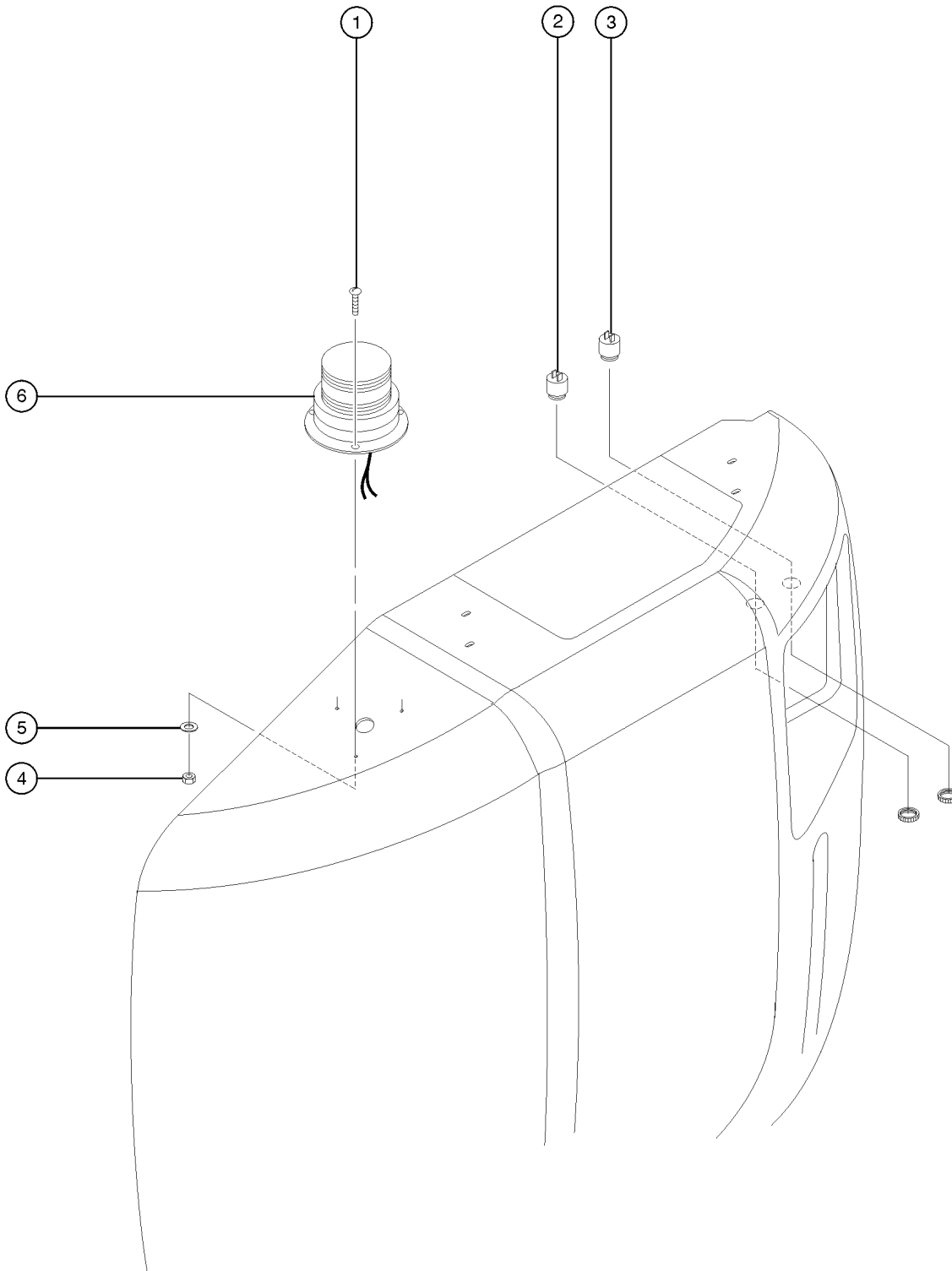
804.1 Boom Components



804.1 Boom Components

Item	Part No.	Description	Qty.	Item	Part No.	Description	Qty.
--		<i>The hose lengths below reflect the length of the hose only. Refer to the 'Fittings Cross Reference' to match Genie part numbers to Parker part numbers.</i>		20	49119-37678GT	HOSE ASSY,1/4,STR FEM,STR FEM.....1 <i>Components: Genie part numbers 48800, 48800 and 48751 @ 375 inches</i>	1
--	77103-3600GT	SLEEVE,NYLON,3.13 ID.....1	1	21	49117-14391GT	HOSE ASSY,1/4,90 FEM,STR FEM.....2 <i>Components: Genie part numbers 48800, 48802 and 48751 @ 142 inches</i>	2
--	77103-4800GT	SLEEVE,NYLON,3.13 ID.....1	1	22	48907GT	ELBOW,45D,520320-4.....2	2
1	139099GT	HOSE ASSY, 1/4", 22.00.....2 <i>Components: Genie part numbers 48800, 48800 and 48751 @ 20 inches</i>	2				
2	48904GT	ELBOW,90D,520220-4-4.....2	2				
3	48905GT	CONN,520120-4***.....27	27				
4	49121-35688GT	HOSE ASSY 1/4,STR FEM,STR MALE..2 <i>Components: Genie part numbers 48800, 48768 and 48751 @ 355 inches</i>	2				
5	48767-2600GT	SLEEVE,NYLON,1.42 ID.....1	1				
5	49119-5378GT	HOSE ASSY,1/4,STR FEM,STR FEM....2 <i>Components: Genie part numbers 48800, 48800 and 48751 @ 52 inches</i>	2				
6	48912GT	CONN,520120-4-6***.....1	1				
7	48767-700GT	SLEEVE,NYLON,1.42 ID.....1	1				
7	49121-2088GT	HOSE ASSY 1/4,STR FEM,STR MALE..2 <i>Components: Genie part numbers 48800, 48768 and 48751 @ 19 inches</i>	2				
8	48917GT	CONN,LONG,520122-6.....2	2				
9	49119-27378GT	HOSE ASSY,1/4,STR FEM,STR FEM.....1 <i>Components: Genie part numbers 48800, 48800 and 48751 @ 272 inches</i>	1				
10	49119-28778GT	HOSE ASSY,1/4,STR FEM,STR FEM.....1 <i>Components: Genie part numbers 48800, 48800 and 48751 @ 286 inches</i>	1				
11	48890GT	FITTING,TEE,BRANCH,520429-4***.....2	2				
12	49120-35381GT	HOSE ASSY 1/4, STR FEM,STR FEM....2 <i>Components: Genie part numbers 48800, 48810 and 48751 @ 352 inches</i>	2				
13	49119-2278GT	HOSE ASSY,1/4,STR FEM,STR FEM.....2 <i>Components: Genie part numbers 48800, 48800 and 48751 @ 21 inches</i>	2				
14	54132GT	ELBOW,SWIVEL 90D, 520221-4.....2	2				
15	49119-39378GT	HOSE ASSY,1/4,STR FEM,STR FEM.....2 <i>Components: Genie part numbers 48800, 48800 and 48751 @ 392 inches</i>	2				
16	49119-36178GT	HOSE ASSY,1/4,STR FEM,STR FEM.....1 <i>Components: Genie part numbers 48800, 48800 and 48751 @ 360 inches</i>	1				
17	48923GT	PLUG,090109A-6.....2	2				
18	49119-16178GT	HOSE ASSY,1/4,STR FEM,STR FEM.....2 <i>Components: Genie part numbers 48800, 48800 and 48751 @ 160 inches</i>	2				
19	49119-38578GT	HOSE ASSY,1/4,STR FEM,STR FEM.....2 <i>Components: Genie part numbers 48800, 48800 and 48751 @ 384 inches</i>	2				

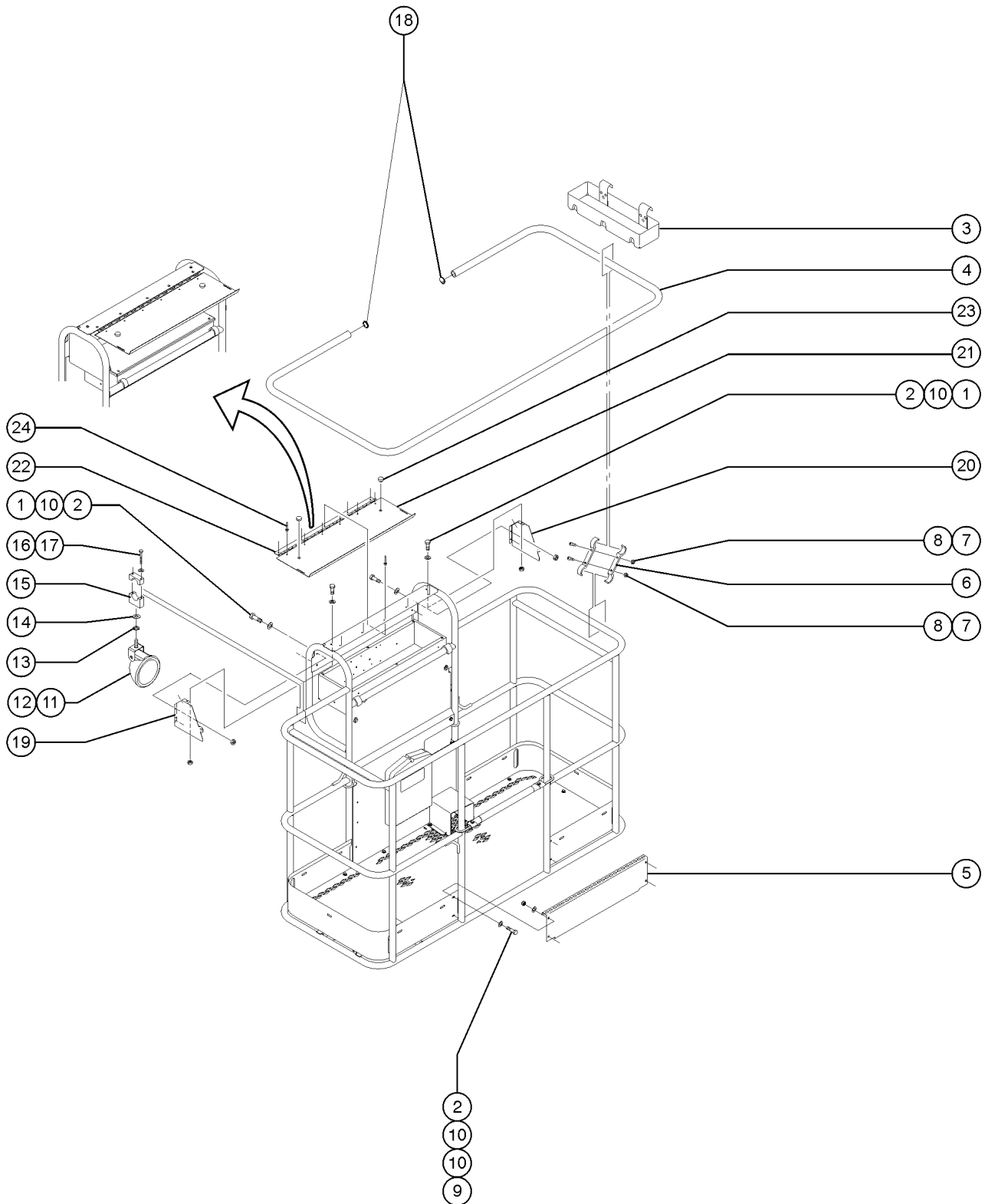
901.1 Alarm and Beacon Package



## 901.1 Alarm and Beacon Package

Item	Part No.	Description	Qty.
--	60047-SGT	ALARM PKG,ACC.Z45 IC	
1	49817GT	SCREW,PHILLIPS,PHM,10-32 X1.25	
2	45462GT	ALARM,CHIME TONE 5-25VDC*** .....1 <i>Does not include 72326 nut</i>	
--	72326GT	NUT - PLASTIC,RING FOR ALARMS.....1	
3	18963GT	ALARM,INTERMITTENT TONE 6-30V*...1 <i>Does not include 72326 nut</i>	
--	72326GT	NUT - PLASTIC,RING FOR ALARMS.....1	
4	6178GT	NUT,NYLOCK,10-32	
5	35461GT	WASHER,FLAT,MS,#8,Y	
6	56704GT	STROBE,FIREBOLT,12-80VDC,AMB**...1	
--	122019GT	FLASHTUBE,U SHAPED,360DEG,BULB	
--	226393GT	FLASHTUBE,STRAIGHT,360DEG,BULB	
--	72282GT	LENS,AMBER,STROBE,FIREBOLT	

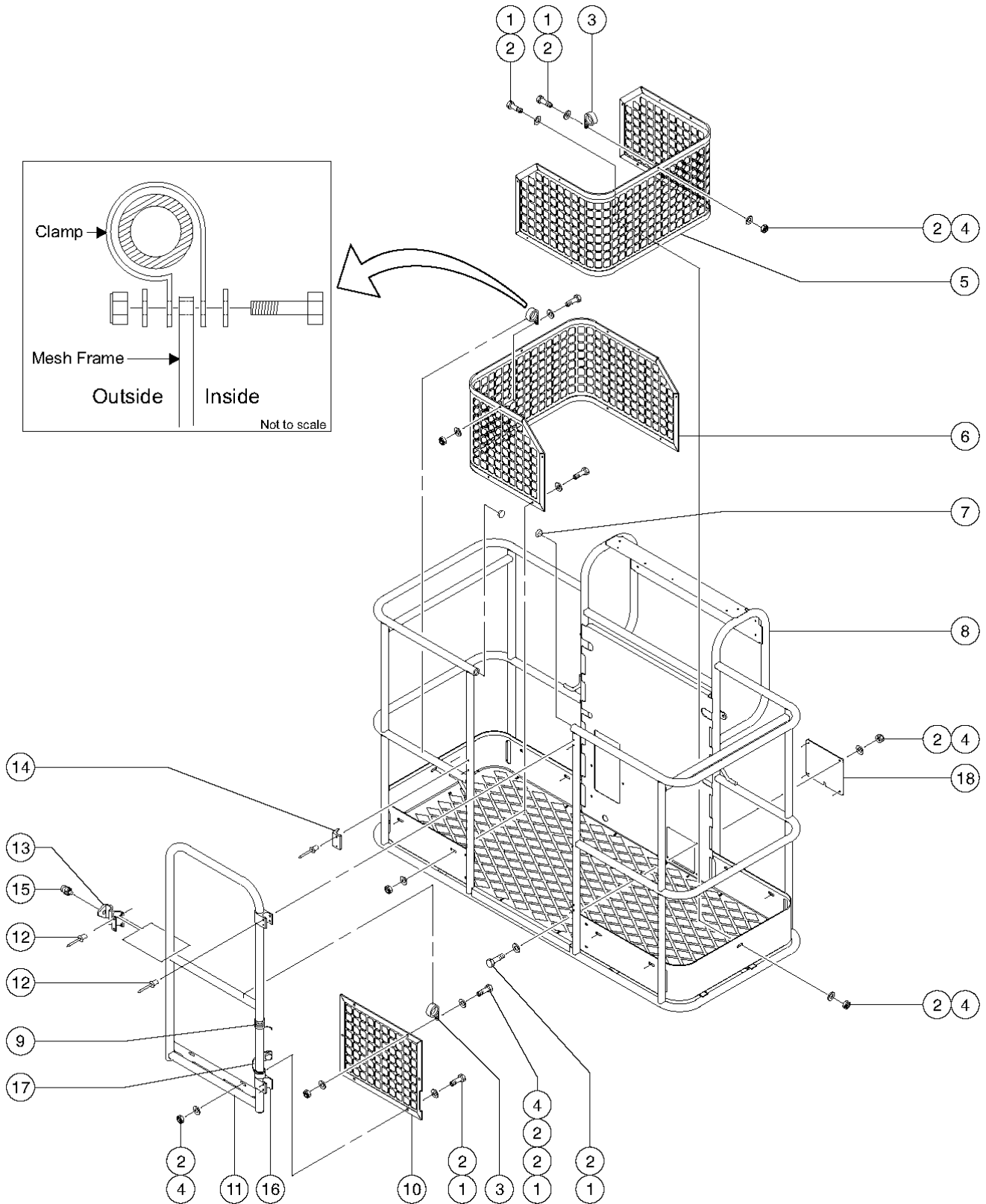
902.1 Platform Options



902.1 Platform Options

Item	Part No.	Description	Qty.	Item	Part No.	Description	Qty.
--	28322GT	OPTION,PLAT.PINCH GUARD,5 FT.		24	54486GT	RIVET,ALUM,ALUM,3/16BUTTONHEAD	
--	28323GT	OPTION,PLAT.PINCH GUARD,4 FT.					
--	53157-SGT	PINCH GUARD,6'(1.31")SERVICE**					
--	60922GT	OPTION,EURO TOEBOARD <i>includes item 2, 5, 9 and 10</i>					
--	88609-SGT	CONTROL BOX COVER ASSY*** <i>includes mounting fasteners</i>					
1	7339GT	SCREW, HHC, 1/4-20 X .5					
2	6091GT	NUT,NYLOCK,1/4-20					
3	9599-SGT	TOOL TRAY ACCESSORY***.....1					
4A	53808-SGT	AUX TOP RAIL,6'(1.25")SERVICE					
4B	53807-SGT	AUX TOP RAIL,8'(1.25")SERVICE					
4C	122278GT	AUX TOP RAIL,6',SWG GT, SRV					
4D	122279GT	AUX TOP RAIL,8',SWG GT, SRV					
5	94745PGT	TOEBOARD,ENTRY EUROPEAN PNTD**.....1					
6A	139958GT	KIT, AUX TOP RAIL SUPPORT <i>(to SN 730)</i>					
6B	122073GT	SUPPORT, RAILING.....20 <i>(from SN 731)</i>					
7A	4266GT	SCREW,HHC,1/4-20 X 2 <i>(to SN 730)</i>					
7B	122231GT	SCREW,BHSC,1/4-20 X 1					
8	6889GT	NUT,LP NYLOCK,1/4-20					
9	8914GT	SCREW,HHC,1/4-20 X .625					
10	6638GT	WASHER,FLAT,USS,1/4"Y					
11A	107857GT	LIGHT, 12 VOLT.....2					
--	147532GT	HARNES,DRIVE LIGHT OPTION					
--	35960GT	BULB,WORKLIGHT,12V 35W					
11B	107858GT	WORKLIGHT,48 VOLT					
--	147554GT	HARNES, 48V DRIVE LIGHTS					
12	13002GT	SCREW,HHC,5/16-18 X 1 GR5					
13	6886GT	WASHER,LOCK,.313					
14	5397GT	WASHER,FLAT,USS,5/16",Y					
15	35956GT	BRACKET,WORK LIGHT MOUNT 5/16".....2					
16	6145GT	SCREW,HHC,1/4-20 X 1.5					
17	6356GT	WASHER,LOCK,.25					
18	55753GT	BUMPER, PLASTIC, 1.25 O.D.....2					
19	88607PGT	COVER,CONTROL BOX LEFT SIDE***.....1					
20	88606PGT	COVER,CONTROL BOX RIGHT SIDE**.....1					
21	102785PGT	CONTROL BOX COVER,LID,PTD.....1					
22	111526GT	HINGE,PLAT CONTROL BOX COVER...1					
23	34619GT	BUMPER,RUBBER***.....2					

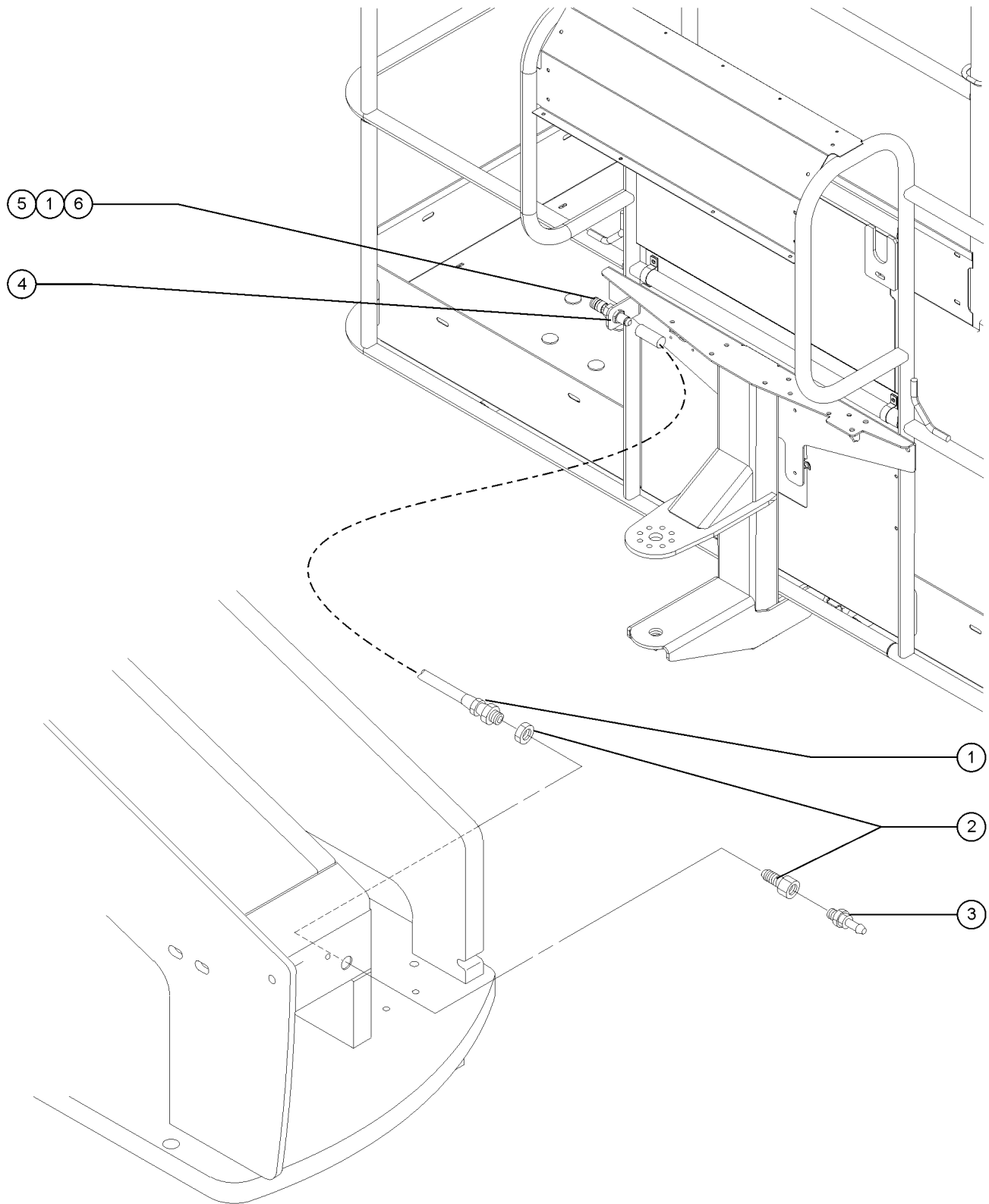
903.1 Half-height Mesh and Swing Gate Options



903.1 Half-height Mesh and Swing Gate Options

Item	Part No.	Description	Qty.
--	119295GT	OPTION,TALL SWING GATE	
1	8914GT	SCREW,HHC,1/4-20 X .625	
2	6638GT	WASHER,FLAT,USS,1/4"Y	
3	54932GT	CLAMP,1.25,#20 X 1/4,RUB CUSH	
4	6091GT	NUT,NYLOCK,1/4-20	
5	54458GT	MESH,HALF,LH,6'PLATFORM.....1	
6	54465GT	MESH,HALF,RH,6'PLATFORM.....1	
7	55753GT	BUMPER, PLASTIC, 1.25 O.D.....2	
8	52752-SGT	PLATFORM,1/2 MESH W/GATE,ANSI*.....1	
--	52753-SGT	PLAT.ASSY,6FT,1/2 MESH, CE	
9	42104GT	SPRING,SHORT PLATFORM GATE.....1	
10	54457GT	MESH,HALF,SWING GATE*** .....1	
11	128368GT	KIT,SWING GATE W/SPRING.....1	
--	128374GT	WELDMENT,SWING GATE,ALUMINUM	
--	42104GT	SPRING,SHORT PLATFORM GATE	
--	43392GT	BUMPER,BATTERY BOX & RAILS	
--	9596GT	HINGE CASTING <i>Special welding requirements for installation of this component. Strongly suggest ordering 128368 OR contact Genie Service for welding requirements.</i>	
12	7265GT	RIVET,STEEL,P, .25 X .375	
13	1487GT	GATE LATCH CASTING--DRILLED	
14	1488GT	RAILING CATCH CASTING--DRILLED	
15	33674GT	PIN,LOCK,SHORT***	
16	9596GT	HINGE CASTING.....2	
17	73047GT	HINGE RETAINER, SWING GATE.....1	
--	43392GT	BUMPER,BATTERY BOX & RAILS	
18	54165GT	PLATE,FOOT SWITCH COVER.....1	

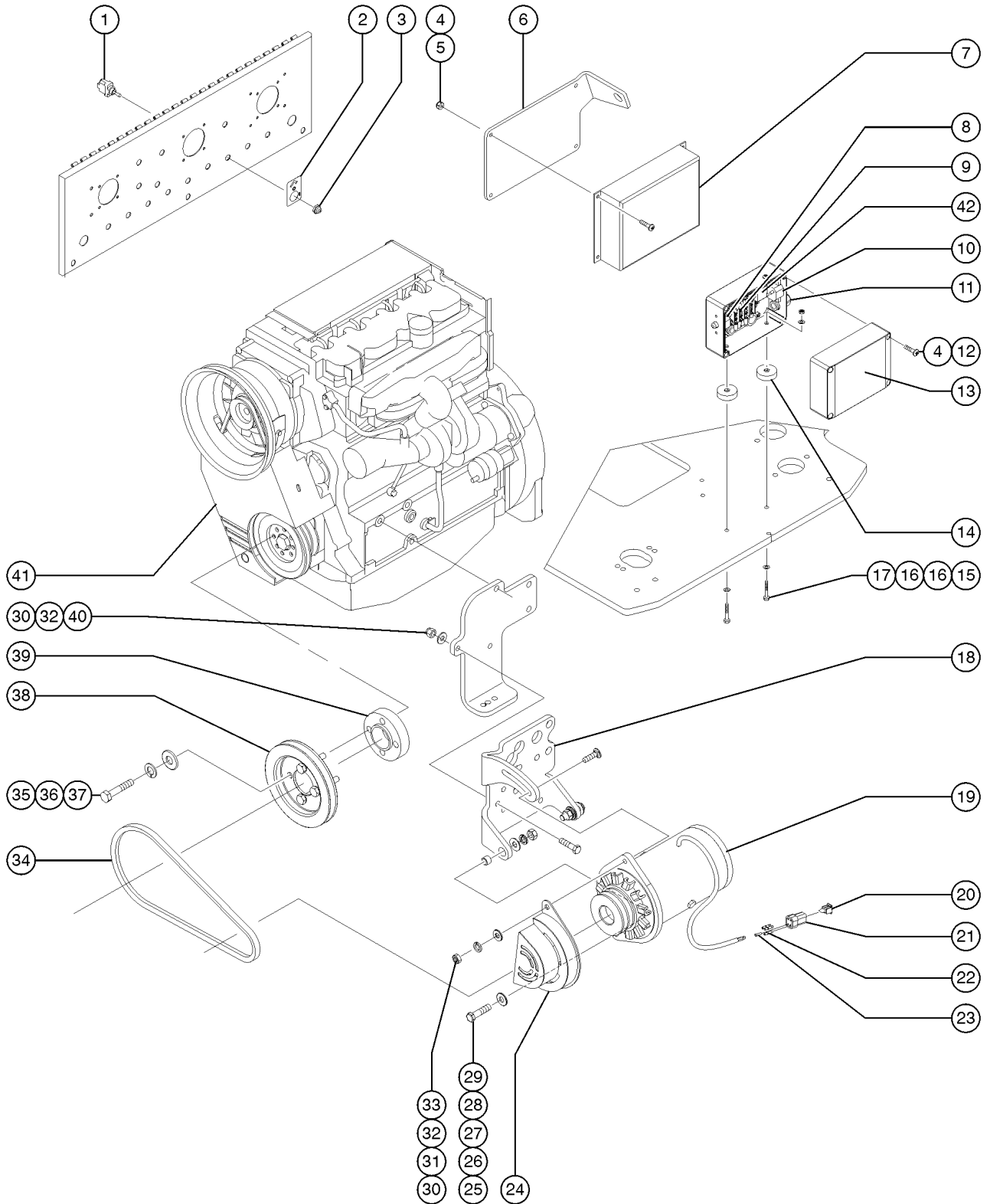
904.1 Air Line to Platform



904.1 Air Line to Platform

Item	Part No.	Description	Qty.
--	107583GT	AIR TO PLATFORM, Z51	
--	120498GT	AIR TO PLATFORM,Z51	
1	70644-8292GT	HOSE ASSY,3/8 STR FEM STR FEM* ....1	
--	13268GT	CLAMP,0.75,#12 X 1/4,RUB CUSH	
--	45454GT	CLAMP,RUB CUSH,0.75,#12 X 3/8*	
2	49212GT	FEMALE BULKHEAD CONNECTOR-8...1	
3	49214GT	MALE PIPE THD,1/4" SER,3/8"X18.....1	
4A	70642PGT	BRACKET,AIR HOSE TO PLAT PAINT....1	
4B	120473GT	BRACKET, AIR HOSE TO PLAT.....1	
5	49215GT	MPT,CPLR,1/4"SER,3/8"X18.....1	
6	33278GT	WASHER,FLAT,.75 HARDENED	

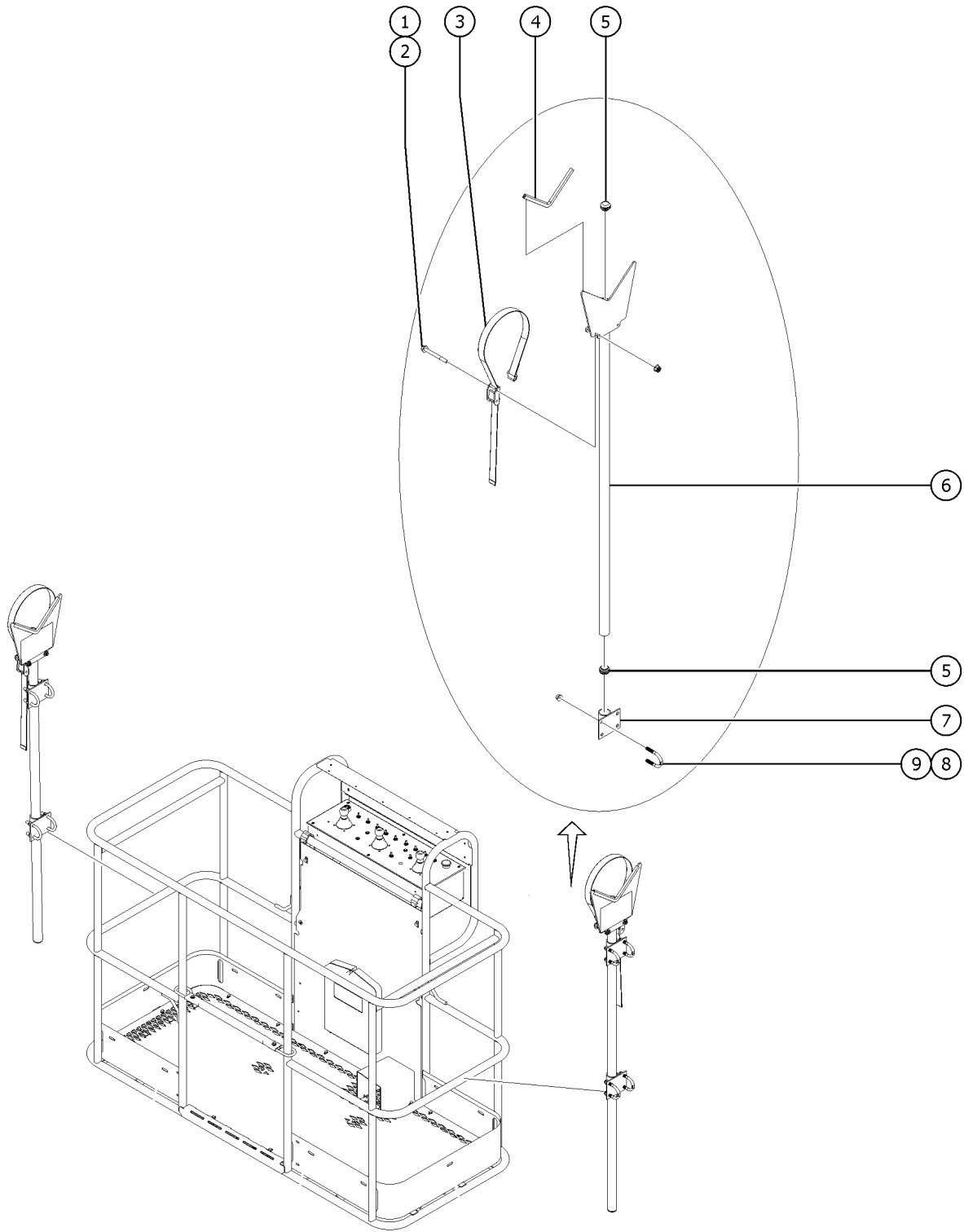
905.1 Belt Driven Generator



905.1 Belt Driven Generator

Item	Part No.	Description	Qty.	Item	Part No.	Description	Qty.
--	101939GT	HARNESS, BD GEN.110V/60HZ Z45P		31	6021GT	WASHER,LOCK,.375	
--	106030GT	HARNESS, BD GEN.110V/60HZ Z45D		32	5397GT	WASHER,FLAT,USS,5/16",Y	
--	106565GT	HARNESS, BD GEN.220V/50HZ Z45P		33	60790GT	BOLT, CARRIAGE, 3/8-16 X 1.50, G5	
--	106566GT	HARNESS, BD GEN.220V/50HZ Z45D		34	106535GT	BELT,AX33***.....1	
1	128204GT	SWITCH TOGGLE ASSY SPDT 2P MNT.....1		35	25927GT	SCREW,HHC,M10 X 55MM,GRD 8.8	
2	32728GT	DECAL,OPTION GENERATOR***.....1		36	22700GT	WASHER,LOCK,M10	
3	27246GT	BOOT,TOGGLE SWITCH,SHORT*.....1		37	22699GT	WASHER,FLAT,M10,ZINC PLTD.	
4	6178GT	NUT,NYLOCK,10-32		38	70389GT	PULLEY,DEUTZ.....1	
5	49826GT	SCREW,PHILLIPS,PHM,10-32 X.625		39	81069GT	SPACER,PULLEY,DEUTZ GEN.....1	
6	70648PGT	BRACKET,GEN.REGULATOR MT PAINT.....1		40	13918GT	SCREW,HHC,3/8-16 X 1.75,GRD.8.....2	
7	60738GT	VOLTAGE REGULATOR,110V.....1		41	106740GT	COVER,REWORK,DEUTZ GENERATOR.....1	
--	60739GT	VOLTAGE REGULATOR,220V					
8	60887GT	CIRCUIT BREAKER, 30 AMP.....1					
9	69776GT	TERMINAL,STRIP,4-POLE,600V***.....1					
10	61195GT	CIRCUIT BREAKER, 12.5 AMP.....1					
11	7056GT	CONN. SQZ, 1/2 NPT .38-50, SM.....1					
12	75041GT	SCREW,PHILLIPS,PHM,10-32 X 1					
13	8425GT	ENCLOSURE,FG ELEC.,STOCK,7X5X4.....1					
14	56093GT	WEAR PAD ROUND.....2					
15	6637GT	SCREW,HHC,1/4-20 X 1.75					
16	6638GT	WASHER,FLAT,USS,1/4"Y					
17	6889GT	NUT,LP NYLOCK,1/4-20					
18	119533PGT	FORMING,GENERATOR MOUNT,PTD.....1					
19A	60707GT	GENERATOR,3500W,120V,60HZ**.....1					
--	146062GT	PULLY,GNRTR,120V,60HZ(60707) for 60707 generator					
19B	89908GT	GENERATOR,3000W,220V,50HZ***					
--	102681GT	PULLY, GNRTR,220V,50HZ(89908) for 89908 generator					
20	60528GT	LOCK,PLUG 4 WAY,12-14GA.....1					
21	60527GT	CONN,PLUG 4 WAY,12-14GA.....1					
22	73712GT	TERM,SOCKET,DEUTSCH,12-14GA.....3					
23	60757GT	PLUG,SEAL,12-18 GA.....1					
24	106531GT	WELDMENT,GENERATOR FAN GUARD.....1					
25	128364GT	SCREW, HHC, 7/16-14 X 2, GR 5					
26	45400GT	SPACER TUBE,.50 LG.....1					
27	6097GT	WASHER,FLAT,USS,3/8",Y					
28	20912GT	WASHER,LOCK,.437,PLTD.					
29	11210GT	NUT,NYLOCK,7/16-14					
30	4828GT	NUT,NYLOCK,3/8-16					

906.1 Pipe Cradle Option



906.1 Pipe Cradle Option

Item	Part No.	Description	Qty.
A	85300GT	PIPE CRADLE ASSY. SERV (ONE)** <i>(ANSI &amp; CE only) (This is a single assembly. Qty 2 of 85300GT required to complete a set)</i>	
--	65630GT	INSTRUCTIONS-PIPE CRADLE,BOOMS	
1	824083GT	SCREW,HHF,1/4-20X2.5,8,ZAG.....4	
2	1277924GT	NUT,NYLOCK FLG,1/4-20,F,ZAG.....4	
3	56570GT	STRAP, CONDUIT HOLDER 60**** .....2	
4	19018-1100GT	TRIMLOCK,BLACK,5/32".....2	
5	55753GT	BUMPER, PLASTIC, 1.25 O.D.....4	
6	56525GT	WELDMENT, PIPE CRADLE.....2	
7	81368GT	WELDMENT,PIPE CRADLE MOUNT....4	
8	1251600GT	U-BOLT, FLATTENED, 1.5 X 3/8.....8	
9	1274322GT	NUT,NYLOCK FLG,3/8-16,G,ZAG.....16	

## Part Number Index

The Part Number Index is a numeric index of all part numbers included in this manual. The index shows what page(s) the part is used on.

Part Number	Page	Part Number	Page	Part Number	Page	Part Number	Page
100000GT	11	106585GT	69	119209GT	25	128045GT	43
101005GT	91	106676GT	45	119210GT	25	1280665GT	37
101005HGT	91	106740GT	121	119287GT	31	128066GT	31
101006GT	51	106804PGT	69	119295GT	117	128142GT	19
101010GT	43	106835GT	103	119344GT	53-54	128200GT	39-40, 85-86
101055GT	98	106836GT	103	119403GT	37	128201GT	39-40, 85-86
101080GT	49, 89	106837GT	103	119404GT	37	128202GT	39-40, 85-86
101114GT	98	106944PGT	69	119411GT	45	128204GT	85-86, 89, 121
101129PGT	53-54	106945GT	69	119533PGT	121	128304GT	67
101130PGT	51	106946GT	69	119534GT	89	128310GT	71
101137PGT	45, 51	106947GT	69	119536GT	73, 75, 81	128311GT	71
101138PGT	53-54	106972GT	61	119542GT	73, 75, 81	128364GT	121
101140P-SGT	53-54	107551GT	49	119549GT	45	128368GT	117
101174GT	91	107574PGT	31	119550GT	45	128374GT	117
101174HGT	91	107583GT	119	119611GT	49	128423GT	103
101175GT	91	107588GT	59	119612GT	49	128446GT	33
101175HGT	91	107590GT	59	119613GT	91	128454PGT	75, 81
101191GT	49	107618PGT	33	119628GT	45	128482GT	75, 81
101212GT	63	107619PGT	33	119641GT	89	128483GT	75, 81
101213GT	65	107620GT	33	119652GT	65	128510GT	75, 81
101277GT	97-98	107651GT	33	119784PGT	37	128511GT	75
101294GT	103	107727GT	59	119798GT	35	128513GT	81
101373GT	83	10775GT	85-86	119802GT	49, 57	128534GT	75, 81
101376GT	83	10777GT	86	119803GT	49, 57	1285505GT	103
101379GT	83	107803GT	45	119815PGT	31	1285506GT	103
101385GT	83	107805PGT	47	119867GT	49	128578GT	39-40, 85-86
101388GT	83	107807GT	57	119915GT	91	128580-SGT	39-40, 85-86
101391GT	83	107813GT	103	119966GT	21, 23	128581-SGT	39-40, 85-86
101512GT	79	107814GT	103	119978GT	25	128582-SGT	39-40, 85-86
101523GT	65	107815GT	103	119979GT	19	128584-SGT	85-86
101574GT	47	107816GT	97-98	119985GT	49	128601GT	67
101578GT	83	107842GT	103	119993-3828GT	109	128645GT	37
101584GT	21, 23	107857GT	115	119993-4928GT	109	128646GT	37
101592GT	53-54	107858GT	115	119994GT	75	128724GT	75, 81
101726GT	35	107859GT	59	12011GT	71	128862GT	71
101729GT	51, 53-54	107881GT	61	120269GT	35	128935GT	43, 54
101730GT	51, 53-54	107901GT	69, 73	120287GT	77	128995GT	67
101775GT	63	107914GT	25	120300GT	86	12906GT	45, 47
101815GT	33	107993GT	33, 39-40, 49	120353GT	86	13000GT	51, 77
101844GT	39-40	110150PGT	21, 23	120398GT	31	13002GT	115
101886GT	39-40, 49	110160GT	33, 49	120399GT	31	13064GT	15, 17, 21, 23, 33, 47
101939GT	121	110180GT	97-98	120457GT	85-86	13066GT	103
101958GT	98	110194GT	93-95	120473GT	119	13268GT	35, 119
102158GT	21	110200GT	94-95	120479GT	71	133278GT	11
102588GT	53-54	110273GT	97-98	120481GT	71	13482GT	83
102681GT	121	110305GT	61	120483GT	71	13585GT	85-86
102785PGT	115	110306GT	61	120498GT	119	139099GT	111
102992GT	83	110307GT	61	121846GT	43	13918GT	45, 67, 121
104030GT	86	110308GT	61	121847GT	89	139318GT	37
104759GT	101	110309GT	63	121848GT	49, 79	139330GT	23
10597GT	25, 35, 63	110310GT	61	122019GT	113	139331GT	54
10598GT	53-54	110315GT	13	122073GT	115	139338GT	86
106030GT	49, 121	110345GT	35	122125GT	49	139391GT	93-95
106065GT	35	110382GT	57	122231GT	115	139508GT	93-95
106069GT	45	110386GT	65	122278GT	115	139509GT	93-95
106098GT	21, 23	110388GT	85-86	122279GT	115	139510GT	93-95
106117GT	21, 23	110483PGT	45	122755GT	83	139511GT	94-95
106118GT	21, 23	110671GT	77	12343GT	43, 71	139512GT	93-95
106119GT	21, 23	110789GT	79	12344GT	89	139513GT	93-95
106120GT	21, 23	110941PGT	45	1251600GT	123	139514GT	93-95
106121GT	21, 23	111051GT	71	1254826GT	53-54	139515GT	93-95
106122GT	21, 23	111052GT	71	1255653GT	53-54	139516GT	93-95
106123GT	21, 23	111053GT	71	1256267GT	59, 63	139517GT	93-95
106124GT	21, 23	111526GT	115	1256670GT	101	139518GT	93-95
106125GT	21, 23	111668GT	53-54	1257052GT	67	139519GT	93-95
106126GT	21, 23	11210GT	121	1258159GT	59	139520GT	94-95
106151GT	21, 23	114114GT	11	1267807GT	51	139521GT	94-95
106427GT	33, 61	114220GT	11	1268229GT	51	139522GT	94-95
106531GT	121	114246GT	89	1269501GT	91	139523GT	94-95
106535GT	121	119058GT	83	1274322GT	123	139524GT	94-95
106540PGT	73	119061GT	39-40	1277924GT	123	139525GT	94-95
106564GT	49	119062GT	39-40	128000GT	91	139526GT	94-95
106565GT	121	119063GT	39-40	128001GT	91	139527GT	94-95
106566GT	121	119064GT	39-40	128023GT	53-54	139533GT	54
106581GT	69, 73	119117GT	51	128029GT	47		

Part Number Index (continued)

Part Number	Page	Part Number	Page	Part Number	Page	Part Number	Page
139595GT	54	21149GT	15, 17	30138GT	45, 65, 67	44743GT	83
139596GT	54	21175GT	33	30221GT	63	44981GT	11, 13
139598GT	91	21496GT	27, 29	30222GT	73, 75, 77	44986GT	11
139621GT	51	21577GT	21, 23	30255GT	65, 67, 73, 75	45071GT	19, 25, 59
139622GT	51	21604GT	79	30370GT	63	45074GT	15, 17
139624GT	53-54	21679GT	43	30438GT	51	45226GT	15, 17, 19, 25,
139666GT	53-54	21818GT	89	30785-500GT	29		63, 65, 67, 73, 75
139701GT	71	22025GT	33	30785-600GT	27	45363GT	45, 47
139709GT	51	22558GT	51, 53-54	30973GT	45	45383GT	85-86
139861GT	33	22578GT	53-54	30997GT	43	45384GT	39-40, 85-86
139865GT	33	22639GT	113	31060GT	11	45385GT	89
139868GT	33	22699GT	121	31406GT	93-95	45400GT	121
139958GT	115	22700GT	53-54, 121	31523GT	53-54	45454GT	53-54, 119
139965GT	17, 23	22712GT	11	32339GT	77	45462GT	39-40, 113
139966GT	17, 23	22761GT	83	32675GT	15, 17	45748GT	79
139967GT	17, 23	22788GT	15, 17, 103	32681GT	27, 29	45782GT	53-54
139968GT	17, 23	22844GT	49	32695GT	51	47092GT	97-98
139969GT	23	22846GT	83	32698GT	53-54	47377GT	73
139970GT	23	22956GT	39-40, 85-86	32728GT	11, 13, 121	4828GT	19, 25, 33, 37,
139971GT	23	22976GT	17	32975GT	97-98		45, 47, 51, 53-
139972GT	23	22983GT	17	33024GT	53-54		54, 59, 63, 65,
14033GT	25, 27, 29, 37	22983GT	17	33239GT	53-54		69, 71, 73, 75,
14297GT	69, 71	23371GT	77	33278GT	77, 119		79, 81, 83, 85-
14416GT	37	23374GT	77	33432GT	15, 17		86, 121
146051GT	21, 23	23404GT	43	33521GT	94-95	48767-2600GT	111
146052GT	21, 23	23541GT	89	33550GT	83	48767-700GT	111
146062GT	121	23768GT	61	33555GT	45	48767GT	109
146478GT	85-86	24040GT	51, 53-54	33674GT	117	48880GT	105, 109
147031GT	49	24514GT	83	33952GT	11	48885GT	109
147033GT	17, 23	25067GT	33	33988GT	103	48890GT	111
147034GT	17, 23	25284GT	19, 45, 63	34052GT	43	48891GT	107
147094GT	39-40	25388GT	37	34053GT	43	48904GT	33, 105, 109, 111
147210GT	33	25683GT	19, 73, 75	34054GT	43	48905GT	105, 107, 109,
147211GT	33	25685GT	79	34055GT	43		111
147212GT	33	25817GT	15, 17, 19, 57	34125GT	65, 67	48906GT	105
147223GT	35	25926GT	53-54	34276GT	63	48907GT	111
147225GT	49	25927GT	121	34619GT	51, 79, 115	48908GT	105
147243GT	54	25994GT	11	35461GT	113	48911GT	105, 107
147283GT	73, 75	27126GT	57	35586GT	53-54	48912GT	107, 109, 111
147369GT	77	27204GT	11, 13	35675GT	73, 75	48914GT	107, 109
147419GT	35, 109	27205GT	11, 13	35956GT	115	48916GT	109
147513GT	79	27206GT	11, 13	35960GT	115	48917GT	111
147532GT	49, 115	27207GT	11, 13	36198GT	19	48923GT	111
147554GT	115	27246GT	39-40, 85-86,	36294GT	77	48930GT	105, 109
147661GT	89		121	36872GT	57	48932GT	109
1487GT	117	27287GT	89	37003GT	53-54	48933GT	105, 107, 109
1488GT	117	27377GT	45	37097GT	15, 17	48935GT	105
15243GT	39-40	27497GT	73, 75	37950GT	51	48936GT	105
162239GT	11	27506GT	57	38620GT	65, 67	48939GT	105
162240GT	11	27564GT	11	38859GT	47	48946GT	105, 109
162441GT	11	27807GT	94-95	39346GT	97-98	48947GT	105
162442GT	11	27836GT	94-95	40434GT	11, 13	48948GT	105, 109
16584GT	51	28131GT	49	42078GT	47	48949GT	109
1697-400GT	61	28159GT	11, 13	42104GT	117	48959GT	109
17712GT	33, 47	28161GT	11	42439GT	57	48960GT	105
18503GT	51	28164GT	11	4266GT	27, 45, 61, 115	48977GT	109
18504GT	57, 69	28165GT	11	42941-75GT	61	48978GT	109
18596GT	15, 17	28171GT	11, 13	43018GT	73, 75, 97-98,	48983GT	109
18720GT	59, 63	28174GT	11, 13		101	48984GT	109
18963GT	113	28175GT	11	43181GT	49	48985GT	109
19018-1100GT	123	28176GT	11	43392GT	117	48996GT	109
19274GT	49, 89	28177GT	11	43595GT	11	48997GT	97-98, 109
19418GT	15, 17	28181GT	11	43683GT	103	48999GT	109
19440GT	19	28235GT	13	43955GT	49	49110-7592GT	105
19506GT	39-40	28236GT	11	43956GT	37	49117-14391GT	105, 111
20193GT	15, 17	28322GT	115	43960GT	61, 83	49117-2091-SGT	107
20224GT	93-95, 97-98	28323GT	115	44168GT	97-98	49117-3191GT	107
20262GT	83	28678-1600GT	109	44174GT	101	49117-3791GT	107
20912GT	21, 23, 121	28678-2600GT	109	44178GT	97-98	49117-5091GT	105
21130GT	27, 29, 53-54	29080GT	65	44216GT	98	49117-6141GT	105
21141GT	35	29559GT	51	44224GT	97-98	49119-16178GT	111
21142GT	15, 17	29560GT	53-54	44225GT	97-98	49119-2278GT	111
21143GT	15, 17	29605GT	47	44227GT	97-98	49119-27378GT	111
21144GT	15, 17	29868GT	37	44228GT	97-98	49119-28778GT	111
21146GT	15, 17	29883GT	47	44229GT	97-98	49119-3203GT	105
21148GT	15, 17	30080GT	11	44235GT	98	49119-36178GT	111

## Part Number Index (continued)

Part Number	Page	Part Number	Page	Part Number	Page	Part Number	Page
49119-37678GT	111	52774-SGT	47	56925GT	77	62273GT	93-95
49119-38578GT	111	52866GT	51	57075GT	85-86	62337GT	97-98
49119-39378GT	111	52897GT	101	57201GT	103	62341GT	97-98
49119-5078GT	109	52906GT	97-98	58222GT	45	62346GT	97-98
49119-5203GT	105	52907GT	97-98	58223GT	45	62392GT	91
49119-5378GT	111	52943GT	93-95	58256GT	53-54	62420GT	51
49119-5778GT	105	52969GT	11, 13	58320GT	21, 23	62506GT	101
49119-5878GT	109	53157-SGT	115	58431GT	103	62507GT	101
49120-35381GT	111	5365GT	29, 53-54, 79	58438GT	15, 17	6272GT	43
49121-2088GT	111	53807-SGT	115	58490GT	35	62815GT	97-98
49121-35688GT	111	53808-SGT	115	58589GT	15, 17	62948GT	11, 13
49133-5140GT	105	53952GT	51	58919GT	69	6326GT	59, 69
49141-2350GT	109	5397GT	19, 25, 27, 29,	58920GT	69	63375GT	85-86
49141-5863GT	109		33, 35, 37, 45,	58927GT	69	63463GT	51
49150-3630GT	109		47, 61, 69, 71,	60037GT	47	6356GT	27, 29, 35, 37,
49183-10692-SGT	109		73, 75, 77, 83,	60042-SGT	83		73, 75, 77, 83,
49207GT	93-95, 105, 109		85-86, 115, 121	60047-SGT	113		85-86, 115
49212GT	119	54063GT	65, 67, 97-98	60160PGT	83	63766GT	83
49214GT	119	54065GT	73, 75	6019GT	37, 45, 65, 67,	65449GT	94-95
49215GT	119	54073GT	47		73, 75, 83, 86	65630GT	123
49407GT	53-54	54132GT	111	6021GT	15, 17, 19, 25,	65789GT	73, 75
49411GT	51, 53-54	54145-800GT	33		27, 29, 33, 35,	65790GT	67
49612GT	93-95	54156GT	59		37, 45, 61, 63,	65791GT	19
49613GT	93-95	54157GT	61, 67		65, 81, 121	6584GT	29, 53-54
49768GT	27, 29	54165GT	117	60334GT	45	66356GT	85-86
49772GT	61	54204GT	35	6033GT	15, 17, 25, 53-	6637GT	29, 65, 67, 121
49816GT	47, 53-54	54207PGT	33, 51		54, 59, 61, 63	6638GT	19, 21, 23, 25,
49817GT	113	54239GT	61, 65, 67	6036GT	47		27, 29, 35, 37,
49819GT	43	54244-SGT	57	60435GT	39-40		39-40, 43, 45,
49820GT	39-40, 89	54247-SGT	83	60443GT	89		47, 51, 57, 61,
49826GT	121	54255GT	39-40, 89	60526GT	39-40, 89		65, 67, 69, 71,
49915GT	51	54259GT	89	60527GT	39-40, 121		73, 75, 77, 81,
49924GT	53-54	54271GT	71	60528GT	39-40, 121		83, 85-86, 115,
50294GT	83	54324GT	35	60707GT	121		117, 121
50328-SGT	19	54325GT	35	60738GT	121	66812GT	39-40, 85-86
50416PGT	35	54333GT	35	60739GT	121	66813GT	85-86
50455GT	59	54363GT	45	60757GT	39-40, 121	66815GT	85-86
50479-SGT	61	54365GT	43, 54, 89	60790GT	121	66816GT	85-86
50480GT	73, 75	54432GT	57	60857GT	45, 51	66818GT	39-40, 85-86
50517-SGT	61	54437GT	35	60887GT	121	6708GT	19, 25
50519GT	33	54457GT	117	6090GT	35, 37, 39-40,	67631GT	53-54
50542GT	63	54458GT	117		45, 51, 73, 75,	6782GT	45, 77
50543GT	73, 75	54465GT	117		77, 83	6833GT	47, 61
50546GT	65, 67, 73, 75	54486GT	115	6091GT	35, 37, 43, 45,	6878GT	71
50548PGT	61	54510-SGT	77		47, 51, 57, 61,	6884GT	47
50552GT	65, 67	54525GT	43		65, 67, 69, 71,	6886GT	115
50560GT	19	54530GT	65		75, 77, 79, 81,	6888GT	19, 21, 23, 25,
50576GT	33	54534GT	43		115, 117		35, 37, 43, 45,
50581PGT	45, 51	54542GT	19, 25	60922GT	115		51, 61, 71, 79, 81
50584GT	65, 67	54563GT	51	6095GT	33, 35, 51, 53-	6889GT	21, 23, 37, 47,
50696PGT	51	54567GT	19		54, 61		115, 121
50698GT	65, 67	54569GT	67	6097GT	21, 23, 45, 51,	6935GT	37, 85-86, 89
50742GT	19	54572GT	93-95		53-54, 61, 65,	69776GT	121
50761GT	51	54692GT	85-86		67, 79, 121	70375GT	53-54
50787-SGT	53-54	54815GT	93-95	61110GT	53-54	70381GT	53-54
50901GT	19	54817P-SGT	83	61143-3963GT	105	70385GT	51
50947GT	19	54830GT	69	61195GT	121	70389GT	121
50952-SGT	61	54932GT	117	61225GT	53-54	70452GT	51, 53-54
50965PGT	47	54994GT	73, 75	61306-SGT	73, 75	70460PGT	53-54
50974GT	45	55067GT	77	6145GT	47, 57, 115	70461PGT	51
51063GT	33	55753GT	47, 63, 115, 117,	6146GT	29, 33, 45, 47,	70534GT	63
52087GT	15, 17		123		53-54, 79	7056GT	37, 85-86, 89,
5224GT	19, 73, 75, 81	56029GT	89	61726GT	79		121
52371GT	97-98, 101	56030GT	89	6175GT	15, 17, 19, 37,	70575PGT	37
52607GT	11	56057GT	43		45, 47, 61, 63	70602GT	35
52704-SGT	15, 17	56093GT	121	6178GT	33, 43, 45, 47,	70603PGT	37
52705-SGT	15, 17	56525GT	123		54, 61, 65, 67,	70606GT	45
52707-SGT	25	56561GT	89		86, 89, 113, 121	70616PGT	19
52720GT	93-95	56562GT	89	61801GT	39-40	70639-2878GT	109
52723GT	93-95	56570GT	123	61972GT	79	70642PGT	119
52724GT	94-95	56680GT	33	61974GT	79	70644-82992GT	119
52726GT	93-95	56704GT	113	61975GT	79	70645GT	49, 57
52731GT	19	56848GT	39-40, 85-86	61987GT	79	70646GT	49, 57
52752-SGT	117	56849GT	61	6198GT	33, 35, 51, 53-54	70648PGT	121
52753-SGT	117	56912GT	19, 25, 35, 73,	61998PGT	79	70671GT	63
52760GT	73, 75		75, 81, 83	62263GT	93-95	70675PGT	37

Part Number	Page	Part Number	Page	Part Number	Page	Part Number	Page
70685PGT	61	77351GT	89	88356-11103GT	33	T111453GT	29
72043GT	93-95	77353GT	35	88356-11165GT	61	T112563GT	85-86
72255GT	53-54	77354GT	35	88356-11205GT	61, 65, 67	T112626GT	91
72282GT	113	77362GT	63	88370PGT	61	T114678GT	53-54
72326GT	39-40, 85-86, 113	77363GT	73, 75	88516GT	77		
72442GT	11, 13	77364GT	63, 73, 75	88606PGT	115		
7265GT	117	77365GT	35	88607PGT	115		
73047GT	117	77375GT	65, 67	88609-SGT	115		
73233GT	83, 89	77376GT	65, 67	88635-4024GT	33, 109		
7339GT	61, 115	77402GT	53-54	88636-9073GT	107		
73477PGT	83	77409GT	19	88637GT	39-40		
73575GT	83	77410GT	65, 67	88676GT	59, 63		
73587GT	83	77419GT	49	88721-79200GT	39-40, 49		
73634GT	79	77430GT	43	88722-79200GT	39-40, 49		
73711GT	89	77521GT	59	88723-78200GT	39-40, 49		
73712GT	121	77524GT	47	88724GT	49		
73713GT	89	77788GT	103	88725GT	49		
73714GT	39-40	79456GT	67, 75, 81	88752GT	15, 17		
73717GT	39-40, 89	80543GT	85-86	88832GT	49		
73723GT	89	80605GT	79	88917GT	35		
73736GT	39-40, 89	81013GT	103	8914GT	43, 85-86, 115, 117		
73739GT	83	81069GT	121	8915GT	45, 57, 73, 75, 81		
73749GT	39-40	81096GT	85-86	89310GT	93-95		
73751GT	39-40	81175GT	73, 75	89575GT	43		
73753GT	39-40	81368GT	123	89780GT	53-54		
73754GT	39-40	81458GT	86	89791GT	53-54		
73803GT	89	81487PGT	89	89792GT	53-54		
73805GT	39-40	81488GT	85-86, 89	89862GT	101		
73807GT	101	81550GT	89	89863GT	97-98		
73900GT	83	81551GT	89	89864GT	101		
74006GT	85-86	81578GT	47	89908GT	121		
74052GT	85-86	81640GT	75, 81	94195GT	77		
74099GT	15, 17	81669GT	103	94374-10830GT	109		
74389GT	19	81691GT	29	94391-SGT	79		
74712GT	33	8177GT	35, 53-54, 59, 61, 63	94464-4886GT	105		
74911GT	43	81812-3892GT	105	94464-5086GT	107		
74913GT	43	82238GT	11, 13	94464-6586GT	105		
74917GT	43	82240GT	13	94485GT	53-54		
74920GT	43	82366GT	11, 13	94506GT	39-40, 85-86		
74921GT	43	824050GT	33	94526GT	35		
74922GT	43	824051GT	33	94529GT	61		
74923GT	43	824052GT	33	94530GT	61		
74924GT	43	824083GT	123	94531PGT	61		
74990GT	94-95	824164GT	65, 67, 73, 75	94549GT	79, 89		
75041GT	45, 121	82431GT	103	94593GT	43		
75073GT	45, 47	82472GT	13	94614GT	97-98		
75076GT	45, 47	82473GT	13	94616GT	97-98		
75278-1829GT	109	82479GT	39-40, 85-86	94617GT	97-98		
75278-8229GT	109	82487GT	13	94618GT	98		
75443GT	91	82544GT	13	94643GT	79, 109		
75444GT	91	82545GT	13	94662GT	15, 17, 21, 23		
75445GT	91	82548GT	13	94663GT	15, 17, 21, 23		
75446GT	91	8255GT	33, 35, 45, 63, 65, 67, 75, 81	94670GT	15, 17, 21, 23		
75447GT	91	825796GT	15, 17	94671GT	15, 17, 21, 23		
75448GT	91	82604GT	13	94682GT	49		
75449GT	91	82646GT	13	94745PGT	115		
75574GT	107	826779GT	97-98	9596GT	117		
77014GT	63	82918GT	11	9599-SGT	115		
77048GT	86	82924GT	13	96008-SGT	39-40		
77051GT	77	83098GT	91	97128GT	33, 61, 65, 67		
77066GT	35	83131GT	39-40	97548GT	11		
77069GT	35	8357GT	51	97602GT	11		
77071GT	35	84134GT	93-95	97815GT	13		
77072GT	35	84135GT	93-95	97869GT	11, 13		
77103-3600GT	111	8425GT	121	97870GT	11, 13		
77103-4800GT	111	8516GT	51, 53-54, 61, 63, 73, 75	97890GT	11		
77106GT	65	85239GT	39-40	T107284GT	29		
7713GT	61, 69, 83	85300GT	123	T107827GT	57		
77181GT	81	88203GT	59	T107883GT	73, 75		
77245PGT	53-54	88269GT	45	T107884GT	73, 75		
77246GT	33	88296GT	21, 23	T108075GT	73, 75		
77303GT	59	88337GT	19	T108109GT	49		
77309GT	105	88338GT	19	T108153GT	49, 85-86		
77311-5906GT	105			T110482GT	89		
77312-3577GT	105			T111107GT	89		

## Part Description Index

The Part Description Index is an alphabetical index of all part descriptions included in this manual. The index shows what page(s) the part is used on.

**A**

ADAPTER CABLE, JS100 JOYSTICK.....49  
 Air Cleaner Bracket.....51  
 AIR CLEANER,NELSON\*\*\*.....51  
 AIR INTAKE TUBE ASSY.....53-54  
 AIR TO PLATFORM, Z51.....119  
 AIR TO PLATFORM,Z51.....119  
 ALARM PKG,ACC.Z45 IC.....113  
 ALARM,CHIME TONE 5-25VDC\*\*\*.....39-40,  
 113  
 ALARM,INTERMITTENT TONE 6-30V\*.....113  
 ALARM,WARBLE TONE 5-30 VDC\*\*\*.....85-86  
 ALTERNATOR, DEUTZ F3L10/F4L10\*.....53-  
 54  
 ANGLE,RELAY MNT,W/NUTSERTS,PNT.....43  
 ASSEMBLY, AUX POWER UNIT, 12VD.....35  
 ASSEMBLY, ENGINE TRAY.....45, 57  
 ASSEMBLY, MED. PRESS. FILTER.....51  
 ASSEMBLY,FOOT SWITCH.....83  
 ASSEMBLY,FOOT SWITCH\*\*\*.....83, 89  
 ASSEMBLY,PRIMARY BOOM,Z45 JIB.....67  
 ASSEMBLY,TERMINAL RAIL.....43  
 ASSY, CIRCUIT BREAKER 15A.....39-40  
 ASSY,ALC500 BOARD HEATER.....89  
 ASSY,LS,LOAD SENSE,38.5 IN.....49, 79  
 ASSY,RELAY SOCKET, AUTO.....43  
 AUX TOP RAIL,6'(1.25")SERVICE.....115  
 AUX TOP RAIL,6',SWG GT, SRV.....115  
 AUX TOP RAIL,8'(1.25")SERVICE.....115  
 AUX TOP RAIL,8',SWG GT, SRV.....115  
 AXLE ASSY,FRONT,WIDE Z45/Z51.....19  
 AXLE ASSY,REAR,WIDE Z45/Z51.....25

**B**

BACKING PLATE, HOSE BLOCK, JIB.....75, 81  
 BACKING PLATE, PULLTUBE.....71  
 BACKING, HOSE CLAMP PTD.....69  
 BALL STUD\*.....45  
 BAR,AXLE ROTATION STOP\*\*\*.....25  
 BASE, W/1 N.O. CONTACTS\*\*\*.....85-86  
 BASE,W/2 NC CONTACTS\*\*\*.....39-40  
 BASE,W/3 NC CONTACTS.....39-40, 85-86  
 BATTERY CABLE,1/0,BLACK,102".....49, 57  
 BATTERY CABLE,1/0,BLK,91".....51  
 BATTERY CABLE,1/0,RED,105".....51  
 BATTERY CABLE,1/0,RED,94".....49, 57  
 BATTERY CABLE,BLK,#2,5/16,3/8".....49, 57  
 BATTERY CABLE,RED#2,5/16,5/16.....49, 57  
 BATTERY HOLD DOWN.....57  
 BATTERY, 12V,900 CCA.....51, 57  
 BEARING KIT (45553) TORQUE HUB.....15, 17  
 BEARING KIT, OMNI.....17  
 BEARING KIT,4HP.....21, 23  
 BEARING KIT,OMNI\*\*\*.....23  
 BEARING NUT\*\*\*.....21, 23  
 BEARING,1.00IDX1.25ODX1.00L.....15, 17, 19,  
 57  
 BEARING,1.25 ID X 1.5 OD X .75.....73  
 BEARING,1.25IDX1.50ODX1.50L.....19  
 BEARING,1.25IDX1.50DX1.00L.....63  
 BEARING,1.5IDX1.75ODX1.5L.....19, 25, 59  
 BEARING,1.75IDX2.00ODX1.50LG.....63  
 BEARING,2.0IDX2.25ODX1.50L.....59, 63  
 BEARING,FL,1.25IDX1.41ODX1.50L.....73, 75,  
 77

BEARING,FL,1.25IDX1.50DX1.25L.....73, 75  
 BEARING,FL,1.5IDX1.75ODX1.10LG.....59  
 BEARING,GARLOCK,12FDU12.....79  
 BEARING,POLYGON,20DU12.....19, 73, 75  
 BEARING,SWING CHASSIS.....33  
 BELLCRANK ASSY,JIB,Z45/25.....73, 75  
 BELT,AX33\*\*\*.....121  
 BELT,V, DEUTZ DIESEL ENGINE.....53-54  
 BLOCK,CABLE CLAMP,2/0 DOUBLE.....45  
 BOLT, CARRIAGE, 3/8-16 X 1.50, G5.....121  
 BOLT,CARRIAGE,1/4-20 X .75,G2.....71  
 BOLT,CARRIAGE,1/4-20 X 1.00,G2.....67, 75,  
 81  
 BOLT,CARRIAGE,1/4-20 X 2.75,G2.....75, 81  
 BOOM REST WELDMENT.....61  
 BOOT(BELLOWS),E-STOP,BLACK.....85-86  
 BOOT, ROCKER JOYSTICK 75565.....91  
 BOOT,JOYSTICK.....91  
 BOOT,PLUG 4 WAY.....83  
 BOOT,TOGGLE SWITCH,SHORT\*.....39-40,  
 85-86, 121  
 BOX,INSTRUCTION STORAGE.....83  
 BRACKET, AIR HOSE TO PLAT.....119  
 BRACKET, ANGLE.....35  
 BRACKET, CIRCUIT BREAKER.....54  
 BRACKET,AIR HOSE TO PLAT PAINT.....119  
 BRACKET,DRIVE SENSOR,ENABLE PT.....33  
 BRACKET,FRONT DRIVE HOSES,LH.....19  
 BRACKET,FRONT DRIVE HOSES,RH.....19  
 BRACKET,GEN.REGULATOR MT PAINT.....121  
 BRACKET,GENERATOR MOUNT,PAINT.....33,  
 51  
 BRACKET,HIGH PRESSURE FILTER.....45  
 BRACKET,HOSE CLAMP PAINTED\*\*\*.....61  
 BRACKET,HOSE CLAMP\*\*\*.....73, 75, 81  
 BRACKET,LATCH MOUNT,RH\*\*.....57  
 BRACKET,MANIFOLD MOUNT PAINTED.....37  
 BRACKET,MID PRES OIL FILTER,PA.....51  
 BRACKET,MUFFLER,DEUTZ 3 CYL PN.....53-  
 54  
 BRACKET,OSC HOSE BULKHEAD,PAINT.....19  
 BRACKET,OSCILLATING VALVE.....29  
 BRACKET,POWER TO PLAT, DOM.....85-86  
 BRACKET,POWER TO PLAT,DOM.....86  
 BRACKET,POWER TO PLAT,UK.....86  
 B R A C K E T , R U B B E R  
 BUMPER,ENGCOVER.....45  
 B R A C K E T , S O L E N . M O U N T  
 BRACE,PNTD.....53-54  
 BRACKET,SOLENOID MOUNT PAINT.....53-  
 54  
 BRACKET,WORK LIGHT MOUNT 5/16".....115  
 BRACKET-PANEL-WIRE MOUNTING 99.....43  
 BRAKE KIT, SWING DRIVE.....33  
 BREATHER CAP,RFM165.....35  
 BRKT,AIR CLEANER ORIENTATION\*\*.....51  
 BULB,WORKLIGHT,12V 35W.....115  
 BULKHEAD,TANK SIDE,PAINTED.....37  
 BUMPER, PLASTIC, 1.25 O.D.....47, 63, 115,  
 117, 123  
 BUMPER,BATTERY BOX & RAILS.....117  
 BUMPER,RUBBER\*\*\*.....51, 79, 115  
 BUMPER,RUBBER,COVERS.....45  
 BUMPER,RUBBER-1 X 1.25.....45  
 BUSHING,STRAIN RELIEF,875/30.....37  
 BUTTON,PUSH,BLACK W/SEAL\*\*\*.....85-86

BUTTON,PUSH,RED MUSHROOM  
 HEAD.....39-40, 85-86

**C**

CABLE COVER,JIB PAINTED.....73  
 CABLE TRACK, NP400, 31 LINK.....71  
 CABLE TRACK,PLASTIC,36 LINK.....69  
 CAP,DIAGNOSTIC NIPPLE.....105, 109  
 CAP,DISENGAGE,4HP/4HB\*\*\*.....21, 23  
 CAP,DISENGAGE,OMNI\*\*\*.....17, 23  
 CAP,DISENGAGE-45553 TORQUE HUB.....15,  
 17  
 CAP,FUEL,DIESEL,1/8"VENT(GRN).....35  
 CAPACITOR,3 MF,50VDC.....43  
 CAPACITOR,TIME DELAY.....49  
 CHANNEL,CABLE TRCK COVR PAINTD.....69  
 CHECK VALVE KIT,77066.....35  
 CIRCUIT BKR 10A TYPE 2 METAL.....43, 54  
 CIRCUIT BREAKER, 12.5 AMP.....121  
 CIRCUIT BREAKER, 30 AMP.....121  
 CLAMP, ARCTIC HOSE.....69, 73  
 CLAMP, JIB HOSE/CABLE, Z45/51.....71  
 CLAMP, PRI, HOSE/CABLE, Z45/51.....67  
 CLAMP,0.50,#8 X 1/4,RUB CUSH.....47, 61  
 CLAMP,0.75,#12 X 1/4,RUB CUSH.....35, 119  
 CLAMP,1.25,#20 X 1/4,RUB CUSH.....117  
 CLAMP,1.63,#26 X 3/8,RUB CUSH.....81  
 CLAMP,1.75,#28 X 3/8,RUB CUSH\*.....77  
 CLAMP,CABLE & HOSE,PLASTIC.....65  
 CLAMP,EXHAUST,2.00 PLATED.....51  
 CLAMP,HOSE Z-45 PRIMARY.....69  
 CLAMP,HOSE,8.50 DIA\*\*\*.....53-54  
 CLAMP,HOSE,ALUMINUM.....65  
 CLAMP,JIB HOSE Z45.....69, 73  
 CLAMP,JIB HOSE/CABLE,ARCTIC.....75  
 CLAMP,JIB HOSE/CABLE,Z45/51.....75, 81  
 CLAMP,MUFFLER,2 1/4" ID.....51  
 CLAMP,RUB CUSH,0.75,#12 X 3/8".....53-54,  
 119  
 CLAMP,RUBBER CUSHIONED-2 5/32.....73,  
 75  
 CLAMP,TWO HOSE.....73, 75, 81  
 CLAMP,TWO HOSE,ARCTIC.....75  
 CLAMPING BLOCK,CABLE.....61  
 CLAMPING BLOCK,HOSE\*\*\*.....61  
 CLEVIS YOKE-1/4-28,PLTD W/PIN.....27, 29,  
 53-54  
 COIL, SOLENOID VALVE, 12V 2PIN.....93-95  
 COIL,10V DC,DEUTCH W/DIODE\*\*\*.....97-98  
 COIL,12VDC #8 DTSCH IP69 ECOIL.....101  
 COIL,GREEN W/ 2 PIN CONNECTOR\*.....93-  
 95  
 COLLAR,JOYSTICK,CENTER.....91  
 COMPR.LINK,MACHINED,GND CONTR\*..73,  
 75  
 CONN PLUG 12 WAY ENDCAP DT BK.....39-  
 40  
 CONN PLUG 12 WAY ENDCAP DT BR.....39-  
 40  
 CONN PLUG 12 WAY ENDCAP DT GR.....39-  
 40  
 CONN PLUG 12 WAY ENDCAP DT GY.....39-  
 40  
 CONN PLUG 4 WAY ENDCAP DT.....83  
 CONN RECEIPT,FLANGED.....89  
 CONN,520120-12-16.....109



## Part Description Index (continued)

FUEL LINE, DEUTZ F3L 2011F.....53-54  
 FUEL TANK ASSY, 17 GAL PLASTIC.....35  
 FUSE,13 AMP,220V PLUG.....37

**G**

GASKET, UK POWER TO PLAT.....86  
 GASKET, UK RECEPTACLE.....85-86  
 GASKET,COVER,GFCI,WEATHERPROOF.85-86  
 GASKET,EXHAUST.....51  
 GASKET,GROUND CONTROL BOX\*\*\*.....39-40  
 GASKET,PLATFORM CONTROL BOX.....85-86, 89  
 GASKET,RETURN FILTER-77353.....35  
 GATE LATCH CASTING--DRILLED.....117  
 GAUGE-SIGHT,LHA-LGTB\*\*\*.....35  
 GENERATOR,3000W,220V,50HZ\*\*\*.....121  
 GENERATOR,3500W,120V,60HZ\*\*.....121  
 GROMMET,RUBBER 3 X .19 X 3.5.....77  
 GROUND CONTROL BOX ASSY W/DEC\*.....39-40

**H**

HARN JOYSTICK ADAPTOR JS100.....91  
 HARNESS KIT,Z45/51 PLAT BOX.....49, 85-86  
 HARNESS, 48V DRIVE LIGHTS.....115  
 HARNESS, BD GEN.110V/60HZ Z45D.....49, 121  
 HARNESS, BD GEN.110V/60HZ Z45P.....121  
 HARNESS, BD GEN.220V/50HZ Z45D.....121  
 HARNESS, BD GEN.220V/50HZ Z45P.....121  
 HARNESS, LOAD SENSE.....49  
 HARNESS,12/3,12V TO PLAT.....39-40, 49, 89  
 HARNESS,18/19 BOOM CABLE #1.....39-40, 49, 89  
 HARNESS,18/19,BOOM CABLE #2.....39-40, 49  
 HARNESS,ALARM OPTION,Z45.....49  
 HARNESS,BASE DD/PD.....49  
 HARNESS,CONTROL BOX HEATER.....89  
 HARNESS,DRIVE LIGHT OPTION.....49, 115  
 HARNESS,ENGINE,DEUTZ.....39-40, 49  
 HARNESS,GAUGE OPT.,Z45 DEUTZ.....49  
 HARNESS,GEN GROUND.....49  
 HARNESS,IC FUNCTION MANIFOLD.....33, 39-40, 49  
 HARNESS,JIB SELECT MANIFOLD.....49, 89  
 HARNESS,LS,D.E. Z45.....33, 49  
 HARNESS,LS,PRIM/EXT.....49  
 HARNESS,LS,PRIM/EXT/SEC.....49  
 HARNESS,PBOX JOYSTICKS.....49  
 HARNESS,PBOX WIRING\*\*\*.....49  
 HARNESS,PLATFORM,Z45/25,IC,JIB.....49  
 HARNESS,PLUG,NON-LOAD WEIGHING...49  
 HARNESS,PROX KILL.....49  
 HEAT SHIELD,DEUTZ STARTER.....51  
 HINGE CASTING.....117  
 HINGE RETAINER, SWING GATE.....117  
 HINGE,.375X.120THK.,SLOTTED.....45, 47  
 HINGE,PLAT CONTROL BOX COVER.....115  
 HORN,12VDC,SPADE TERMINALS\*\*\*.....47  
 HOSE ASM-JCAF310-06-41.....103  
 HOSE ASSY 1",STR FEM,STR FEM.....109  
 HOSE ASSY 1/4, STR FEM,STR FEM.....111  
 HOSE ASSY 1/4,STR FEM,PIPETHRE.....33, 109  
 HOSE ASSY 1/4,STR FEM,STR BULK.....107

HOSE ASSY 1/4,STR FEM,STR MALE.....111  
 HOSE ASSY, 1/4", 22.00.....111  
 HOSE ASSY,1/2 STR FEM,STR FEM.....105  
 HOSE ASSY,1/2".....105, 107  
 HOSE ASSY,1/2,45 FEM STR FEM.....105  
 HOSE ASSY,1/2,45 FEM,STR FEM.....109  
 HOSE ASSY,1/2,45 FEM,STR FEM\*\*.....109  
 HOSE ASSY,1/2,90 FEM,STR FEM.....109  
 HOSE ASSY,1/2,STR FEM,STR FEM.....109  
 HOSE ASSY,1/4,90 FEM,STR FEM.....105, 107, 111  
 HOSE ASSY,1/4,90 FEM,STR FEM\*\*.....107  
 HOSE ASSY,1/4,STR FEM,STR FEM.....105, 109, 111  
 HOSE ASSY,1/4,STR FEM,STR FEM\*.....109  
 HOSE ASSY,3/4,90 FEM,STR FEM.....109  
 HOSE ASSY,3/8 STR FEM STR FEM\*.....119  
 HOSE ASSY,3/8,STR FEM,90D FEM.....109  
 HOSE ASSY,BRKT./D.MANIFOLD.....105  
 HOSE ASSY,D.MANIF/FR D.MOTORS.....105  
 HOSE ASSY,D.MANIF/LR&RR BRAKE.....105  
 HOSE ASSY,T FITTING/DRIVEMOTOR.....105  
 HOSE COVER,LOWER LEVEL,BOT,PAI.....61  
 HOSE COVER,LOWER LEVEL, TOP,PAI.....61  
 HOSE COVER,UPPER ARM,PAINTED.....61  
 HOSE END,BARB,1/4 MNPTX5/16,ST.....35  
 HOSE GUIDE, JIB.....75, 81  
 HOSE,3/8",FUEL,30R7.....61  
 HOSE,AIR CLEANER.....53-54  
 HOUR METER,10-80 VOLTS\*\*\*.....39-40

**I**

INJECTOR, FUEL(DEUTZ F3L2011F).....53-54  
 INPUT CARRIER, SUB-ASSEMBLY.....21, 23  
 INSTRUCTIONS-PIPE CRADLE,BOOMS...123  
 ISOLATOR,ENGINE VIBRATION\*\*\*.....51, 53-54

**J**

JIB BOOM ASSY W/WORD DECAL.....75, 81  
 JOYSTICK,1 AXIS ROCKER,DEUTSCH.....91  
 JOYSTICK,1 AXIS,DEUTSCH.....91  
 JOYSTICK,2 AXIS,DEUTSCH.....91  
 JOYSTICK,DUAL AXIS W/KNOB.....91  
 JOYSTICK,SINGLE AXIS W/KNOB.....91  
 JOYSTICK,SINGLE AXIS W/STEER.....91  
 JUMPER COMB, 2-WAY,WIELAND.....43

**K**

KEEPER,LATCH (45363).....45, 47  
 KEYSWITCH,3 POS W/KEYS,LOCKING....39-40  
 KEYSWITCH,3 POS. W/KEYS\*\*\*.....39-40  
 KIT CB 10A T2 RPM SOLENOID 2W.....54  
 KIT, AUX TOP RAIL SUPPORT.....115  
 KIT, BOOM BEARING.....59  
 KIT, FOOTSWITCH, Z45 & Z51.....83  
 KIT, HEAT GUARD, DEUTZ STARTER.....51  
 KIT, ISOLATION, 3 JOYSTICK.....91  
 KIT,CHARGE PUMP.....103  
 KIT,CHARGE PUMP HOUSING.....103  
 KIT,COVER,TORQUE HUB,45553\*\*\*.....15, 17  
 KIT,ELEMENT\*\*.....35  
 KIT,FBA STYLE COUPLER,SAE8.....53-54  
 KIT,LOAD SENSE MECH,Z45 JIB.....79  
 KIT,OP SWITCH,DEUTZ.....53-54  
 KIT,OSCILLATE LINKAGE.....29  
 KIT,PRIMER BULB.....53-54

KIT,PUMP SHAFT SEAL W/INST\*\*\*.....103  
 KIT,SOLENOID CONTROL SERVICE.....103  
 KIT,STRAINER REPLACEMENT.....35, 109  
 KIT,SWING GATE W/SPRING.....117  
 KIT,TORQUE HUB COVER(101584)\*\*.....21, 23  
 KNOB,JOYSTICK, 62390/62391.....91  
 KNOB,ROCKER JOYSTICK 75665.....91

**L**

LANYARD,LYNCH PIN ASSY.....57  
 LANYARD,PLATFORM CONTROL BOX.....89  
 LATCH,DRAW,ADJUSTABLE.....57  
 LATCH,FLEXIBLE.....45, 47  
 LENS,AMBER,STROBE,FIREBOLT.....113  
 LEVEL SENSOR,LS60,YL,2.5X4.5.....57  
 LEVER, GOVERNOR ACTUATOR.....53-54  
 LIFT/DRIVE CUTOFF, Z45/Z51C.....49  
 LIGHT, 12 VOLT.....115  
 LIGHT,LED IND. RED 12V NH.....39-40, 85-86  
 LINING KIT, BRAKE, 4HP\*\*\*.....21, 23  
 LINING KIT,BRAKE,OMNI\*\*\*.....23  
 LINK,NYLATRAK KS6-5.4\*\*\*.....69  
 LOAD PAD,ENGINE TRAY SUPPORT.....33  
 LOAD SUPPORT WITH BEARINGS.....79  
 LOCK,PLUG 12 WAY,14-18GA,GRN.....39-40  
 LOCK,PLUG 4 WAY,12-14GA.....39-40, 121  
 LOCK,RECEP 12 WAY, 14-18GA.....39-40, 89  
 LOCK,RECEP 4 WAY,12-14GA.....39-40, 89  
 LOCK,RECEP 4 WAY,14-18GA.....89  
 LOCKNUT,ELEC,1/2".....37, 85-86, 89  
 LOWER LEVEL ARM ASSY\*\*\*.....61  
 LOWER SECONDARY ARM ASSY\*\*\*.....61  
 LS ROT.HEAD W/O LEVER (ZCE01).....33, 61  
 LUG,WHEEL STUD,5/8-18,W1/4HB\*\*.....15, 17

**M**

MALE PIPE THD,1/4" SER,3/8"X18.....119  
 MANIFOLD ASSY, Z45/Z51 4WD.....93-95  
 MANIFOLD KIT, SW DRIVE.....33  
 MANIFOLD,FUNCTION,IC.....97-98  
 MANIFOLD,JIB SELECT W/QD PLUG.....101  
 MANIFOLD,ROTATOR,CB\*\*\*.....101  
 MANIFOLD,TURNABLE ROTATION\*\*\*.....33  
 MANUAL BOX W/DECALS\*\*\*.....83  
 MARKING TAGS,# 1-10,WIELAND.....43  
 MARKING TAGS,# 11-20,WIELAND.....43  
 MARKING TAGS,# 21-30,WIELAND.....43  
 MARKING TAGS,# 31-40,WIELAND.....43  
 MARKING TAGS,# 41-50,WIELAND\*\*.....43  
 MESH,HALF,LH,6"PLATFORM.....117  
 MESH,HALF,RH,6"PLATFORM.....117  
 MESH,HALF,SWING GATE\*\*\*.....117  
 MICROSWITCH,13482 FOOTSWITCH.....83  
 MIDPIVOT ASSY Z45C\*\*\*.....61  
 MODULE,IGNITION/START,12/24V.....43  
 MODULE,LOAD SENSE 2007.....43  
 MOTOR,12VDC,77066.....35  
 MOTOR,HYD,25CC FIXED\*\*\*.....15, 17  
 MOTOR,PISTON,LC30,1 DEG,13T.....21, 23  
 MOUNT,SWITCH.....79  
 MPT,CPLR,1/4"SER,3/8"X18.....119  
 MUFFLER,CAT/SPARK,DEUTZ.....51  
 MUFFLER,DEUTZ.....51  
 MUFFLER,SPARK ARRESTOR,DEUTZ.....51

**N**

NIPPLE,DIAGNOSTIC,#4.....97-98, 109

NIPPLE,DIAGNOSTIC,ORFS,FM,SWIV.....93-95, 105, 109  
 NUT - PLASTIC,RING FOR ALARMS...39-40, 85-86, 113  
 NUT HEX M5-0.8 CLASS 8 ZINC.....86  
 NUT, LP NYLOCK, 3/8-16.....61, 69, 83  
 NUT, SOLENOID VALVE.....94-95  
 NUT,BULKHEAD,520118-4.....107  
 NUT,BULKHEAD,520118-8.....105  
 NUT,HEX,1/4-28.....27, 29  
 NUT,LOCKING-LG.FLANGE,1/4-20.....57, 69  
 NUT,LOCKING-LG.FLANGE,5/16-18.....51  
 NUT,LP NYLOCK,1/4-20...21, 23, 37, 47, 115, 121  
 NUT,NYLOCK FLG,1/4-20,F,ZAG.....123  
 NUT,NYLOCK FLG,3/8-16,G,ZAG.....123  
 NUT,NYLOCK,1/2-13.....33, 35, 51, 53-54  
 NUT,NYLOCK,1/4-20.....35, 37, 43, 45, 47, 51, 57, 61, 65, 67, 69, 71, 75, 77, 79, 81, 115, 117  
 NUT,NYLOCK,10-24.....29, 53-54, 79  
 NUT,NYLOCK,10-32.....33, 43, 45, 47, 54, 61, 65, 67, 86, 89, 113, 121  
 NUT,NYLOCK,3/4-10,GRD.8.....77  
 NUT,NYLOCK,3/8-16.....19, 25, 33, 37, 45, 47, 51, 53-54, 59, 63, 65, 69, 71, 73, 75, 79, 81, 83, 85-86, 121  
 NUT,NYLOCK,5/16-18.....45, 77  
 NUT,NYLOCK,6-32.....89  
 NUT,NYLOCK,7/16-14.....121  
 NUT,RETAINER (96008).....39-40  
 NUT,SOLENOID VALVE COIL.....93-95  
 NUT,STEM,EATON\*\*\* .....103  
 NUT-COIL SHORT.....101  
 NUTSERT,1/4-20,STEEL CAD PLTD.....43

**O**

O-RING KIT (ORFS FITTINGS).....93-95  
 O-RING, ROTATOR MANIFOLD.....101  
 O-RING, TORQUE HUB.....15, 17  
 O-RING,.103 X 4.737,VITON, 75D.....21  
 O-RING,2-010,VITON.....21, 23  
 O-RING,2-042 N674-70\*\*\* .....103  
 O-RING,2-044 BUNA\*\*\* .....15, 17  
 O-RING,2-157,VITON\*\*\* .....21, 23  
 O-RING,END COVER,4HP/4HB\*\*\* .....21, 23  
 O-RING,END COVER,OMNI\*\*\* .....17, 23  
 O-RING,FILTER ASSY (60334)\*\*\* .....45  
 O-RING,PIPE PLUG KIT,OMNI\*\*\* .....17, 23  
 O-RING,STEM,EATON.....103  
 OIL TEMP SENSOR, DEUTZ F4L2011.....53-54  
 OPTION,EURO TOEBOARD.....115  
 OPTION,PLAT.PINCH GUARD,4 FT.....115  
 OPTION,PLAT.PINCH GUARD,5 FT.....115  
 OPTION,TALL SWING GATE.....117  
 ORIFICE DISC,.046",GREEN.....97-98  
 ORIFICE, 0.025".....94-95  
 ORIFICE, 0.025"(74129)\* .....94-95  
 ORIFICE, 0.030".....94-95  
 ORIFICE, 0.052".....94-95  
 OUTLET,110V GFCI\*\*\* .....85-86

**P**

PAD,REST,1"THICK,W/STUDS\* .....61  
 PCB ASSY.....89  
 PIN,0.75DIAX5.75LG,CHAMFER.....79  
 PIN,1.00DIAX15.56LG,CHAMFER.....45  
 PIN,1.25 DIA X 3.19 LG, PLATE.....63

PIN,1.25DIAX14.45LG,2HOLE.....73, 75  
 PIN,1.25DIAX3.37LG,1HOLE.....63  
 PIN,1.25DIAX3.75LG,1HOLE.....19  
 PIN,1.25DIAX5.25LG,1HOLE.....73, 75  
 PIN,1.25DIAX6.36LG,2RING.....65, 67, 73, 75  
 PIN,1.25DIAX7.00LG,1HOLE.....73, 75  
 PIN,1.25DIAX7.88LG,1HOLE.....73, 75  
 PIN,1.25DIAX8.12LG,1HOLE.....19  
 PIN,1.25DIAX8.88LG,1HOLE.....73, 75  
 PIN,1.25DIAX9.38LG,THREADED.....65, 67  
 PIN,1.50DIAX13.88LG,2HOLE.....59  
 PIN,1.50DIAX20.00LG,CHAMFER.....19, 25  
 PIN,1.50DIAX4.25LG,GR/H.....15, 17  
 PIN,1.50DIAX7.50LG,1HOLE\*\*\* .....59  
 PIN,1.75DIAX11.88LG,CHAMFER.....63  
 PIN,1.75DIAX9.25LG,1HOLE.....63  
 PIN,2.00DIAX10.88LG,CHAMFER.....59  
 PIN,2.00DIAX12.88LG,CHAMFER\*\*\* .....59  
 PIN,2.00DIAX24.00LG,CHAMFER\*\*\* .....59, 63  
 PIN,CLEVIS,1 X 2.5 LG.....19  
 PIN,LOCK,SHORT\*\*\* .....117  
 PINCH GUARD,6'(1.31")SERVICE\*\* .....115  
 PLAT ASSY, COMP, 4', CE/UK/UK.....83  
 PLAT ASSY, COMP, 5', CE/UK/UK.....83  
 PLAT ASSY, COMP, 6', CE/UK/UK.....83  
 PLAT. CONTROL BOX W/DECAL\*\*\* .....85-86  
 PLAT. FLOOR, 5FT, PAINTED.....83  
 PLAT.ASSY,6FT,1/2 MESH, CE.....117  
 PLATE,AIR INTAKE ADAPTER,PAINT.....45, 51  
 PLATE,COVER SPACER,PAINTED.....47  
 PLATE,FOOT SWITCH COVER.....117  
 PLATE,JIB,ROTATE MANIFOLD.....77  
 PLATE,PLAT HEAT,ALC500 GEN II.....89  
 PLATE,SWING LOCK,PAINTED.....33  
 PLATE,TANK SIDE,PAINTED.....35  
 PLATE,UK POWER TO PLATFORM.....85-86  
 PLATE,WASHER,FLAT,RETAINING,PT.....31  
 PLATE,WASHER,PLAT,RETAINING.....31  
 PLATFORM ASSEMBLY,4FT,CE/UK.....83  
 PLATFORM ASSEMBLY,5FT,CE/UK.....83  
 PLATFORM CONTROL BOX,PAINTED.....89  
 PLATFORM RAIL ASSY,6FT,CE/UK.....83  
 PLATFORM WELDMENT,4 FT.....83  
 PLATFORM,1/2 MESH W/GATE,ANSI\* .....117  
 PLUG AND CAP KIT-SERVICE,ORFS\* .....93-95  
 PLUG, TYPE F, 230A, 50HZ, 16A, IP44.....37  
 PLUG,090109A-6.....111  
 PLUG,FUSED,250V,13AMP,U.K.\*\* .....37  
 PLUG,NYLON .50 BLACK DOMED.....39-40, 85-86  
 PLUG,NYLON .875 BLACK DOMED.....39-40  
 PLUG,NYLON 1.12 BLACK DOMED.....89  
 PLUG,ORIFICE, 0.052 (40033).....94-95  
 PLUG,ORIFICE,0.030 (50684).....94-95  
 PLUG,PWR,UK,16AMP,3PIN,BLK.....37  
 PLUG,SANTOPRENE .5 BLACK DOME.....39-40, 85-86  
 PLUG,SEAL,12-18 GA.....39-40, 121  
 PRIMARY BOOM ASSY.....71  
 PRIMARY BOOM ASSY,Z51.....65  
 PROTECTOR,SLEW BOLT.....33  
 PULLEY,DEUTZ.....121  
 PULLY,GNRTR,220V,50HZ(89908).....121  
 PULLY,GNRTR,120V,60HZ(60707).....121  
 PUMP ASSY (77066).....35

PUMP,FUEL 2011 DEUTZ \*\*\* .....53-54  
 PUMP,INJECTION,DEUTZ F3L2011F.....53-54  
 PUMP,PIGGBACK,11CC,11 TOOTH\*\*\* .....103  
 PUMP,PISTON,49CC\*\*\* .....103

**R**

RAILING CATCH CASTING--DRILLED.....117  
 RECEPACLE, 120VAC, 20A, GFCI.....85-86  
 Ref: Swing Drive Assy.....33  
 RELAY,12VDC,70AMP,SEALED.....53-54  
 RELAY,SPDT,12V(AUTO) PLUG IN\*\* .....43  
 RELAY,SPDT,12V(AUTO)\*\* .....49, 89  
 RELAY,TIME DELAY,2 SEC,10A.....43  
 RELAY,TIME DELAY,2 SEC,30A.....89  
 REPAIR END BRKT SET,NP400-7\*\*\* .....71  
 REPAIR LINK END SET (42763)\* .....69  
 REPAIR LINK,7 LINKS NP400-7\*\*\* .....71  
 REPAIR LINK,7 LINKS\*\*\* .....69  
 REPAIR LINK,NP400-7\*\*\* .....71  
 RESISTOR,10 OHM,25 WATT.....89  
 RESISTOR,20 OHMS,25W,ADJ\*\*\* .....43  
 RESISTOR,7.5 OHM,25 WATT,1PCNT.....43  
 RETAINER,GAS SPRING\*\*\* .....45  
 RETAINER,SPRING,1.21 X .375.....79  
 RETAINING PIN, ASSY.....33  
 RIVET,ALUM,ALUM,3/16BUTTONHEAD....115  
 RIVET,STEEL,P,.25 X .375.....117  
 RIVET,STL,STL,P,.125 X .25.....43  
 ROCKER ASSY,MAGNETIC 75565.....91  
 ROCKER,RETAINER, 75565.....91  
 ROD END,.250 X 2.75 LG.....79  
 ROD END,.375 X 2.25\*\*\* .....19, 45, 63  
 ROD END,.375 X 3.69...15, 17, 19, 25, 63, 65, 67, 73, 75  
 ROD END,.5 X 3.75,ZAG.....59, 63  
 ROD END,BALL JOINT 1/4-28.....29  
 ROD,DISCONNECT 4HP/4HB\*\*\* .....21, 23  
 ROD,DISCONNECT,OMNI\*\*\* .....17, 23  
 ROLLER ARM,LIMIT SWITCH\*\*\* .....33, 61, 65, 67  
 ROTATOR,PLAT,JIB\*\*\* .....77  
 ROTATOR,PLAT,Z45J/Z51J.....77  
 RUE RING,1.00.....19

**S**

S60 ASSEMBLY, GBOX.....49  
 SCREW PH M5-0.8X20 DIN 7500CE.....86  
 SCREW T-SWITCH PH/PH 6-32X1/4.....39-40, 85-86  
 SCREW, HHC, 1-8 X 4, GRID .2.....31  
 SCREW, HHC, 1/4-20 X .5.....61, 115  
 SCREW, HHC, 7/16-14 X 2, GR 5.....121  
 SCREW, PHM, #6-32 X .625 ZINC.....91  
 SCREW,BHHS,1/4-20 X .5,Y/ZINC.....71  
 SCREW,BHHS,1/4-20 X .75.....69, 71  
 SCREW,BHSC,1/4-20 X .88,Y/ZINC.....69  
 SCREW,BHSC,1/4-20 X 1.....115  
 SCREW,BLEEDER,M5X0.8.....77  
 SCREW,FHM,6-32 X .75.....85-86  
 SCREW,FHS,3/8-16 X 1.75.....33, 47  
 SCREW,HHC,1-8 X 3 GRD.5.....47  
 SCREW,HHC,1/2-13 X 1.25 GR5.....25, 35, 63  
 SCREW,HHC,1/2-13 X 1.5.....35, 53-54, 59, 61, 63  
 SCREW,HHC,1/2-13 X 1.75.....15, 17, 103  
 SCREW,HHC,1/2-13 X 3.....53-54  
 SCREW,HHC,1/2-13 X 3.5.....51

## Part Description Index (continued)

SCREW,HHC,1/4-20 X .625.....43, 85-86, 115, 117	SCREW,SHC,M10X1.5X30 GR 12.9.....53-54	SOLENOID,THROTTLE ACTUATOR DSL.....53-54
SCREW,HHC,1/4-20 X .75.....35, 37, 39-40, 45, 51, 73, 75, 77, 83	SCREW,SHM,PHP, #12 X .75.....89	SOLENOID-STARTR DEUTZF4L1011F*.....51
SCREW,HHC,1/4-20 X 1.....19, 21, 23, 25, 35, 37, 43, 45, 51, 61, 71, 79, 81	SCREW,SHS,10-24 X .625.....29, 53-54	SPACER,TUBE,.50 LG.....121
SCREW,HHC,1/4-20 X 1.25.....45, 57, 73, 75, 81	SEAL AND BRG KIT,4.5K ROTATOR.....77	SPACER,EATON PUMP SHAFT SEAL**.....103
SCREW,HHC,1/4-20 X 1.5.....47, 57, 115	SEAL AND BRG KIT,4.5K ROTATOR*.....77	SPACER,ENGINE MOUNT.....51, 53-54
SCREW,HHC,1/4-20 X 1.75.....29, 65, 67, 121	SEAL DT SERIES-12W.....39-40	SPACER,HOSE CLAMP,RUBBER.....71
SCREW,HHC,1/4-20 X 2.....27, 45, 61, 115	SEAL KIT (101523)***.....65	SPACER,NYLON,.718 X .526 X.219.....85-86
SCREW,HHC,1/4-20 X 2.5.....47	SEAL KIT (101775)***.....63	SPACER,NYLON,2.00 X 1.33 X.310.....65, 67
SCREW,HHC,1/4-20 X 2.75.....77	SEAL KIT (39345).....73, 75, 97-98, 101	SPACER,NYLON,2.01 X 1.28 X.135.....65, 67
SCREW,HHC,1/4-20 X 3.....43, 71	SEAL KIT (54994).....73, 75	SPACER,PULLEY,DEUTZ GEN.....121
SCREW,HHC,3/4-10 X 9.5 GR 8 YE.....77	SEAL KIT (W1B) TORQUE HUBS.....15, 17	SPACER,SLEW RING,MACHINED.....33
SCREW,HHC,3/8-16 X .75.....33, 35, 45, 63, 65, 67, 75, 81	SEAL KIT CYL.Z45(54569).....67	SPRING CLIP,1/4-20,.025-.15X.54,ZAG.....19, 25, 35, 73, 75, 81, 83
SCREW,HHC,3/8-16 X .75,GR 8.....77	SEAL KIT, 88337.....19	SPRING CLIP,10-24,.025-.125X.468,ZAG.....83
SCREW,HHC,3/8-16 X 1.....15, 17, 19, 37, 45, 47, 61, 63	SEAL KIT, BRAKE, 4HP.....21, 23	SPRING CLIP,3/8-16,.05-.20X.73,ZAG.....37
SCREW,HHC,3/8-16 X 1.25 GRD 5.....37, 45, 65, 67, 73, 75, 83, 86	SEAL KIT, GEARBOX, 4HP.....21, 23	SPRING,COMP,1" OD,232 LB/IN.....79
SCREW,HHC,3/8-16 X 1.50,GR5.....51, 53-54, 61, 63, 73, 75	SEAL KIT, OMNI.....17	SPRING,JOYSTK CENTR,62390/91.....91
SCREW,HHC,3/8-16 X 1.75,GRD.8.....45, 67, 121	SEAL KIT, SOLENOID VALVE.....93-95	SPRING,SHORT PLATFORM GATE.....117
SCREW,HHC,3/8-16 X 2.....19, 73, 75, 81	SEAL KIT, SWING DRIVE.....33	SPRING,SWITCH CENTERING,75565.....91
SCREW,HHC,3/8-16 X 2.25.....19, 25	SEAL KIT, VALVE.....93-95, 97-98, 101	STANDOFF,1/4X1/4 M-F 6-32 S/S.....89
SCREW,HHC,3/8-16 X 2.75.....25, 27, 29, 37	SEAL KIT, VALVE, #10.....93-95	STANDOFF,6-32 X 3/8L X 1/4 HEX.....89
SCREW,HHC,3/8-16 X 3.....59, 69	SEAL KIT, VALVE, #4.....94-95	STARTER, 12V.....51
SCREW,HHC,3/8-16 X 3.25.....79	SEAL KIT,11 TOOTH PUMP***.....103	STARTER,DEUTZ,F4L1011F/F3L1011.....51
SCREW,HHC,5/16-18 X 1 GR5.....115	SEAL KIT,147259.....73, 75	STRAP, CONDUIT HOLDER 60****.....123
SCREW,HHC,5/16-18 X 1.25.....51, 77	SEAL KIT,52907,SIZE 4, 2 WAY.....97-98	STROBE,FIREBOLT,12-80VDC,AMB**.....113
SCREW,HHC,5/8-11 X 1.75 GRD.8.....47	SEAL KIT,BRAKE,OMNI***.....23	STRUT,GAS,200 LB***.....45
SCREW,HHC,5/8-11 X 2.75 GR8 BO.....33	SEAL KIT,CONTROL VALVE.....27, 29	SUPPORT, RAILING.....115
SCREW,HHC,5/8-11 X 4.00 GR8 BO.....33	SEAL KIT,CYL,Z45 (54567).....19	SUPPORT,SENSOR,JOYSTICK.....91
SCREW,HHC,5/8-11 X 6.50 GR8 BO.....33	SEAL KIT,ELEVATE (88203).....59	SVC KIT,UK RECEPT.REPLACEMENT.....85-86
SCREW,HHC,7/16-14 X 1.25.....21, 23	SEAL KIT,GEARBOX,OMNI***.....23	SWING DRIVE ASSEMBLY.....33
SCREW,HHC,M10 X 55MM,GRD 8.8.....121	SEAL KIT,MANIFOLD TO MOTOR.....33	SWITCH SHIELD,ROCK JOYSTK75565.....91
SCREW,HHC,M10 X 80 GR 8.8.....53-54	SEAL KIT,MASTER & SLAVE CYL.....63, 73, 75	SWITCH TOGGLE ASSY DPDT 2P MOM...39-40, 85-86
SCREW,HHC,M14 X 40MM,GR 8.8.....51, 53-54	SEAL KIT,MOTOR,LC/KC***.....21, 23	SWITCH TOGGLE ASSY DPDT 3P MOM...39-40, 85-86
SCREW,HHC,M6 X 20MM,GR8.8.....53-54	SEAL KIT,PUMP SHAFT (EATON)***.....103	SWITCH TOGGLE ASSY SPDT 2P MNT...85-86, 89, 121
SCREW,HHF,1/4-20X2.5,8,ZAG.....123	SEAL KIT,SOLENOID VALVE.....93-95	SWITCH TOGGLE ASSY SPDT 3P MOM...39-40, 85-86
SCREW,PHIL,10-24 X .75.....83	SEAL KIT,SOLENOID VALVE, SV07.....101	SWITCH TOGGLE DPDT 2P MOM SHDR.....39-40, 85-86
SCREW,PHIL,8-32X.50,SELF TAP.....85-86	SEAL KIT,SUNSTRAND.....15, 17	SWITCH TOGGLE DPDT 3P MOM SHDR.....39-40, 85-86
SCREW,PHIL,PHM,10-24X1.5 ZINC.....79	SEAL KIT,SWING DRIVE***.....33	SWITCH TOGGLE SPDT 2P MNT SHDR...85-86
SCREW,PHIL,PHM,10-32 X .5,SSTL.....43, 54, 89	SEAL KIT,SWING MOTOR***.....33	SWITCH TOGGLE SPDT 3P MOM SHDR.....39-40, 85-86
SCREW,PHIL,PHM,6-32 X 1/4 SS.....89	SEAL KIT-FOR PN.44216 & 826779.....98	SWITCH TOGGLE DPDT 2P MOM SHDR.....39-40, 85-86
SCREW,PHILLIPS,PHM,10-32 X .5.....43	SEAL RING,SOLENOID CONTROL.....103	SWITCH TOGGLE DPDT 3P MOM SHDR.....39-40, 85-86
SCREW,PHILLIPS,PHM,10-32 X .75.....47, 53-54	SEAL, CONNECTOR (DT JOYSTICKS).....91	SWITCH TOGGLE DPDT 3P MOM SHDR.....39-40, 85-86
SCREW,PHILLIPS,PHM,10-32 X 1.....45, 121	SEAL, FILTER ASSY (60334)***.....45	SWITCH TOGGLE SPDT 2P MNT SHDR...85-86
SCREW,PHILLIPS,PHM,10-32 X 2.0.....61, 65, 67	SEAL, FILTER LID.....35	SWITCH TOGGLE SPDT 3P MOM SHDR.....39-40, 85-86
SCREW,PHILLIPS,PHM,10-32 X.625.....121	SEAL,SHAFT,EATON PUMP***.....103	SWITCH, OIL PRESSURE 1.5 BAR.....53-54
SCREW,PHILLIPS,PHM,10-32 X1.25.....113	SENSOR,LEVEL 3 DEG**.....57	SWITCH,LIMIT,W/RLLR ARM,NO/NC*.....61, 65, 67
SCREW,PHILLIPS,PHM,6-32 X .5.....39-40, 89	SERV KIT,CAP,SERIES 1CB VALVE.....19	SWITCH,LIMIT,W/RLLR ARM,NO/NC*.....61
SCREW,PHILLIPS,RHM,10-32 X 1.5.....33	SERVICE KIT,5FT JIB.....73	SWITCH,LIMIT,W/RLR ARM,NO/NC.....33
SCREW,PHM,10-32X3/4,ST TYPE F.....86	SERVICE KIT,5FT JIB.....81	SWITCH,LOAD LIMIT.....79, 89
SCREW,SHC,1/2-13 X 3.00.....33	SERVICE KIT,DEUTZ DIPSTICK,Z45.....54	SWITCH,THERMOSTAT 85F OPEN.....89
SCREW,SHC,1/2-13 X 4.50 ZINC.....33	SET SCREW***.....21, 23	
SCREW,SHC,3/8-16 X 1.....103	SHEET,RUBBER,AIR INTAKE.....53-54	
SCREW,SHC,5/8-11 X 1.63.....21, 23	SHIM,AXLE ROTATION STOP,12GA.....25	
SCREW,SHC,5/8-11 X 1.75.....15, 17	SHIM,AXLE ROTATION STOP,22GA.....25	
SCREW,SHC,5/8-11 X 2.75,A574.....33	SHIM,WEAR PAD,5 X 1.5,14GA.....65, 67	
SCREW,SHC,5/8-11 X 4,A574.....33	SHIM,WEAR PAD,5X 1.5 16GA.....65	
SCREW,SHC,5/8-11 X 6.5.....33	SHUTDOWN SOLENOID,12V, DEUTZ.....53-54	
	SLEEVE,CONNECTOR,DT JOYSTICKS.....91	
	SLEEVE,NYLON,1.42 ID.....109, 111	
	SLEEVE,NYLON,2" I.D.,BULK(100).....109	
	SLEEVE,NYLON,3.13 ID.....111	
	SLIDING MIDRAIL KIT,PTD.....83	
	SNAP RING,EXTERNAL,1.25,ZAG.....65, 67, 73, 75	
	SNAP RING,EXTERNAL,1.50,ZAG.....15, 17	
	SNAP RING,PUMP SHAFT SEAL***.....103	
	SOLENOID CABLE ASSY***.....53-54	
	SOLENOID,77066.....35	

## T

T-BOX, 2.75 x 4.5 x 2.0.....85-86
TANK,HYDRAULIC ASSEMBLY***.....35
TAPE,WARNING,BLK/YEL, 50***.....83
TEE,BRANCH,520429-8.....105
TEE,BRANCH,520433-8.....105
TEE,RUN,520428-4.....105
TEE,RUN,520428-8.....105
TERM RELAY,N-INSULATE 14-16 GA.....43
TERM,AMP MTE,SOC,22-26 GA BULK.....91
TERM,DEUTSCH, PIN #12-14.....89
TERM,NI PIN, 14-16GA,BULK.....89

- TERM,NI PIN,S&F,16-18GA,REEL.....89  
 TERM,NI SOC,S&F,16-18GA,REEL.....39-40  
 TERM,RELAY N-INSULATED 10-12 G.....43  
 TERM,SOCKET,DEUTSCH,12-14GA.....121  
 TERMINAL BLOCK END PLATE.....43  
 TERMINAL BLOCK, WIELAND\*\*\*.....43  
 TERMINAL,MOLEX 16 GAUGE\*\*\*.....89  
 TERMINAL,STRIP,4-POLE,600V\*\*\*.....121  
 THREADED ROD,(1/4-20),8.5".....57  
 THREADED ROD,1/4-28 X 5 IN.....29  
 THREADED ROD,1/4-28 X 6 IN\*\*\*.....27  
 THROTTLE LINKAGE,DIESEL \*\*\*.....53-54  
 THRUST CAP (20193).....15, 17  
 TIE ROD WELDMENT.....19  
 TOEBOARD,ENTRY EUROPEAN PNTD\*\*.....115  
 TOEBOARD,PLTFM ENTRY EUR,PNTD\*.....83  
 TOOL TRAY ACCESSORY\*\*\*.....115  
 TOOL,TERMINAL CRIMPER,MOLEX\*\*\*.....89  
 TOOL,TERMINAL EXTRACTOR,MOLEX.....89  
 TORQUE HUB,35:1\*\*\*.....15, 17  
 TRIMLOCK,BLACK,3/16 X 4 INCHES.....61  
 TRIMLOCK,BLACK,5/32".....123  
 TUBE, CABLETRACK ARM, Z51M.....71  
 TUBE,AIR CLEANER INLET.....51  
 TUBE,CABLE TRACK ARM.....69  
 TUBE,CHASSIS SPACER.....31  
 TUBE,CHASSIS SPACER PAINTED.....31  
 TUBE,FUEL PICKUP,3/8NPTX1/4PT.....35  
 TUBE,PROP ROD,18.63",W/CAP.....47
- U**
- U-BOLT, FLATTENED, 1.5 X 3/8.....123  
 U-BOLT, KIT 5/16-18 X 2.5 \*\*\*.....51  
 UBOLT,FLATTENED,1.5DIA X 3/8 UNC.....83  
 UPPER LEVEL ARM ASSY,SERV\*\*\*.....61  
 UPPER PIVOT W/BEARING-Z45/25\*\*.....63  
 UPPER SECONDARY ARM ASSY-Z45\*\*.....61
- V**
- VALVE.....93-95  
 VALVE - COUNTERBALANCE\*\*.....101  
 VALVE BLOCK, SWING DRIVE.....33  
 VALVE RELIEF,2500PSI(88513)\*\*.....98  
 VALVE, CHECK.....94-95  
 VALVE, CHECK, 5PSI.....94-95  
 VALVE, COMPENSATOR, 80 PSI.....97-98  
 VALVE, DIRECTION CONTROL, 2X2.....93-95  
 VALVE, FLOW DIVIDE/COMBINE 1:1.....93-95  
 VALVE, FLOW DIVIDE/COMBINE 2:1.....94-95  
 VALVE, RELIEF, 250PSI.....93-95  
 VALVE, SHUTTLE, 3X3.....93-95  
 VALVE, SOLENOID, 2X3, 12V.....93-95  
 VALVE,BALL,16 MSAE-16 FSAE\*\*\*.....109  
 VALVE,CB.CBBC-LHN@1000\*\*\*.....65, 67, 97-98  
 VALVE,CHECK\*\*\*.....94-95  
 VALVE,CHECK,5 PSI.....94-95  
 VALVE,CHECK,5 PSI\*\*.....97-98  
 VALVE,CHECK,DUAL PILOT,135 PSI.....98  
 VALVE,CHK,#8PORT-#8MALEORFS.....109  
 VALVE,CNTRBAL 3500PSI,ATM VEN.....59  
 VALVE,COUNTERBALANCE,1000 ATM.....19  
 VALVE,COUNTERBALANCE,3500\*\*\*.....73, 75  
 VALVE,COUNTERBALANCE,3800 PSI.....63  
 VALVE,COUNTERBALANCE,3800 PSI\*.....73, 75
- VALVE,COUNTERBALANCE,1500 PSI\*\*.....65, 67  
 VALVE,DIFF SENSING,160 PSI.....97-98  
 VALVE,FLOW CONTROL,4 GPM.....98  
 VALVE,FLOW DIVIDER/COMBINER.....93-95  
 VALVE,FLOW REGULATOR 0.1 GPM.....97-98  
 VALVE,FLOW REGULATOR, 2.0 GPM\*.....97-98  
 VALVE,NEEDLE,FINE ADJUSTMENT\*\*.....98  
 VALVE,PRES CMP/FLW CTRL,1.0GPM.....93-95  
 VALVE,PRES CMP/FLW CTRL,2.6GPM.....93-95  
 VALVE,PRIO FLOW REG,1.5 GPM.....97-98  
 VALVE,PROP,3 POS,4-WAY\*\*\*.....97-98  
 VALVE,PROPORTIONAL 3 POS 4 WY\*.....97-98  
 VALVE,RELIEF 250 PSI\*\*\*.....93-95  
 VALVE,RELIEF,2100 PSI\*\*\*.....97-98  
 VALVE,SHUTTLE.....97-98  
 VALVE,SOLENOID 3 POS.4 WAY\*\*\*.....97-98  
 VALVE,SOLENOID, 2 POS, 3 WAY.....93-95  
 VALVE,SOLENOID,2POS/3WAY\*\*\*.....101  
 VALVE,SOLENOID,2POS 3 WAY\*\*\*.....97-98  
 VALVE,SOLENOID,3POS 4WAY.....97-98  
 VALVE-CHECK, #4 SAE, 5 PSI\*.....97-98  
 VALVE-DIRECT. CONTRL-2POS. 2WA.....93-95  
 VALVE-FLOW REGULATOR 1.0GPM.....93-95  
 VALVE-FLOW REGULATOR 2 GPM.....93-95  
 VALVE-RELIEF,3200 PSI.....97-98  
 VALVE-SOLENOID,2POS 3WAY,JIB\*\*.....101  
 VLV,MAN,3 POS/4 WAY,CLOSE CTR\*.....27, 29  
 VOLTAGE REGULATOR,110V.....121  
 VOLTAGE REGULATOR,220V.....121
- W**
- WASHER,1/2 PLATE(1/2X2.25X3/16.....51, 53-54  
 WASHER,FENDER, 25 X 1.25 X.062.....45, 47  
 WASHER,FLAT,.5 HARDENED.....103  
 WASHER,FLAT,.625 HARDENED.....15, 17, 21, 23, 33, 47  
 WASHER,FLAT,.75 HARDENED.....77, 119  
 WASHER,FLAT,1.56 X 2.5 X .061.....15, 17  
 WASHER,FLAT,3/8X1.5X.06.....79  
 WASHER,FLAT,313, HARDENED.....103  
 WASHER,FLAT,M10,ZINC PLTD.....121  
 WASHER,FLAT,M14.....51, 53-54  
 WASHER,FLAT,M6 PLTD.....53-54  
 WASHER,FLAT,MS,#10,Y.....29, 33, 45, 47, 53-54, 79  
 WASHER,FLAT,MS,#8,Y.....113  
 WASHER,FLAT,USS,1",Y.....47  
 WASHER,FLAT,USS,1/2",Y.....33, 35, 51, 53-54, 61  
 WASHER,FLAT,USS,1/4"Y.....19, 21, 23, 25, 27, 29, 35, 37, 39-40, 43, 45, 47, 51, 57, 61, 65, 67, 69, 71, 73, 75, 77, 81, 83, 85-86, 115, 117, 121  
 WASHER,FLAT,USS,3/8",Y.....21, 23, 45, 51, 53-54, 61, 65, 67, 79, 121  
 WASHER,FLAT,USS,5/16",Y.....19, 25, 27, 29, 33, 35, 37, 45, 47, 61, 69, 71, 73, 75, 77, 83, 85-86, 115, 121  
 WASHER,LOCK,.25.....27, 29, 35, 37, 73, 75, 77, 83, 85-86, 115
- WASHER,LOCK,.313.....115  
 WASHER,LOCK,.375.....15, 17, 19, 25, 27, 29, 33, 35, 37, 45, 61, 63, 65, 81, 121  
 WASHER,LOCK,437,PLTD.....21, 23, 121  
 WASHER,LOCK,.625 PLTD.....47  
 WASHER,LOCK,0.5".....15, 17, 25, 53-54, 59, 61, 63  
 WASHER,LOCK,1".....47  
 WASHER,LOCK,IND,LAMP RETAINER.....39-40, 85-86  
 WASHER,LOCK,M10.....53-54, 121  
 WASHER,LOCK,M6.....53-54  
 WASHER,SHIM .0151 THK.....79  
 WASHER,SHIM,1.27 X 2.13 X .062.....65, 67, 73, 75  
 WASHER,THRUST,1.5 X 3.5 X .187.....15, 17  
 WASHER,THRUST,TORQUE HUB.....15, 17  
 WASHER,VIBRATION ISOLATING.....51, 53-54  
 WEAR PAD ROUND.....121  
 WEAR PAD,3 X 1.5 X.625 W/NUTS.....75, 81  
 WEAR PAD,5 X 1.5 X .625 W/NUTS.....45, 65, 67  
 WEAR PAD,5 X 1.5 X .75 W/NUTS.....65, 67  
 WEAR PAD,6 X 1.5 X.50,W/INSERT.....61  
 WEAR PAD,EXTENSION BOOM.....65, 67  
 WEAR PAD,EXTENSION CYLINDER.....65, 67  
 WEAR PAD,MID PIVOT\*\*\*.....61  
 WEAR PAD,PRIMARY BOOM,JIB 5.5X3X1.....61, 67  
 WEAR PAD,TANK SIDE BUMPER.....47  
 WELDING CABLE #2 BLACK.....51  
 WELDING CABLE #2 RED.....51  
 WELDMENT, CABLETRACK TRAY,Z51M.....71  
 WELDMENT, PIPE CRADLE.....123  
 WELDMENT,5 FT PLATFORM.....83  
 WELDMENT,BULKHEAD,ENG SIDE IC.....45  
 WELDMENT,CABLE TRACK TRAY.....69  
 WELDMENT,EXT. BOOM,Z45 JIB.....67  
 WELDMENT,GENERATOR FAN GUARD.....121  
 WELDMENT,MID PIVOT,MACHINED\*\*\*.....61  
 WELDMENT,PIPE CRADLE MOUNT.....123  
 WELDMENT,PLATFORM SUPPORT.....77, 79  
 WELDMENT,ROTATOR MOUNT.....79  
 WELDMENT,SWING GATE,ALUMINUM.....117  
 WELDMNT,6 FT PLATFORM.....83  
 WELDMNT,EXTENSION BOOM,JIB,Z51.....65  
 WHEEL & TIRE ASSY,LR/RF,FF.....15, 17, 21, 23  
 WHEEL & TIRE ASSY,LR/RF,FF,NM.....15, 17, 21, 23  
 WHEEL & TIRE ASSY,RR/LF,FF.....15, 17, 21, 23  
 WHEEL & TIRE ASSY,RR/LF,FF,NM.....15, 17, 21, 23  
 WHEEL DRIVE W/ BRAKE,57:1\*\*\*.....23  
 WHEEL DRIVE W/BRAKE 57:1.....21, 23  
 WHEEL DRIVE, NON BRAKE, 35.9:1.....17  
 WHEEL STUD, 4HP, 5/8-18\*\*\*.....21, 23  
 WHEEL STUD,5/8-18,OMNI\*\*\*.....17, 23  
 WIRE CABLE,12/3 CON.TPE JKT.....49  
 WIRE CABLE,14/3 CON.TPE JKT\*.....37  
 WIRE CABLE,16/4 CON.TPE JKT.....61, 83  
 WIRE LOOM,1"DIA.SLIT,HI TEMP.....49  
 WIRE LOOM,1.25 DIA.....49  
 WIRING KIT,JIB TIME DELAY IC.....49  
 WORKLIGHT,48 VOLT.....115

Part Description Index (continued)

**Y**

YOKE ASSY,LH,4WD,Z45/25,IC.....15, 17

YOKE ASSY,RH,4WD,Z45/25,IC.....15, 17

**Z**

ZERK,GREASE,5/16-24,STRAIT.....79, 109

***This Page Intentionally Left Blank***

## Fitting Cross References

Genie PN	Parker PN	Description	Genie PN	Parker PN	Description
12342	6-4 F5OX-S	CONNECTOR,STRAIGHT THREAD TO FLARE TUBE	42794	1 CR-S	ELBOW,90°,MALE PIPE
13757	4 R6X-S	RUN TEE,SWIVEL NUT,ORFS	42795	BV-0839	BALL VALVE
19685	12-10 C5OX-S	ELBOW,90°,STRAIGHT THREAD TO FLARE TUBE	42796	BV-0838	BALL VALVE
22664	12-10 C5OX	ELBOW,90°,STRAIGHT THREAD TO FLARE TUBE	42874	6-8 CLO-S	ELBOW,90°,MALE PIPE TO ORFS
27431	8-12 F5OX-S	CONNECTOR,STRAIGHT THREAD TO FLARE TUBE	42912	13943-6-4	HOSE END,90° FEMALE SWIVEL,JIC
28678	AS-B-33	SLEEVE,NYLON,1.81" ID	42920	BV-0840	BALL VALVE,90°
39871	6 WETX-WLN-S	UNION,90° BULKHEAD W/NUT,FLARE TUBE	42932	AS-B-17	SLEEVE,NYLON,1.22" ID
39872	4 R5OX-S	RUN TEE,STRAIGHT THREAD	42936	10243-2-4	HOSE END,FEMALE PIPE
39873	6 C5OX-S	ELBOW,90°,STRAIGHT THREAD TO FLARE TUBE	42953	1/2 DD-S	ELBOW,90°,FEMALE PIPE
39874	8-6 C5OX-S	ELBOW,90°,STRAIGHT THREAD TO FLARE TUBE	42956	6 WELO-WLNL-S	UNION,90° BULKHEAD W/NUT,ORFS
39875	4-6 C5OX-S	ELBOW,90°,STRAIGHT THREAD TO FLARE TUBE	45349	8 V5OX-S	ELBOW,45°,STRAIGHT THREAD TO FLARE TUBE
39876	6-8 C5OX-S	ELBOW,90°,STRAIGHT THREAD TO FLARE TUBE	45351	4 V5OX-S	ELBOW,45°,STRAIGHT THREAD TO FLARE TUBE
39877	4 F5OX-S	CONNECTOR,STRAIGHT THREAD TO FLARE TUBE	47223	10343-6-6	HOSE END,MALE,JIC
39878	6 F5OX-S	CONNECTOR,STRAIGHT THREAD TO FLARE TUBE	47419	PS690503-6-6	SWIVEL,90°,STRAIGHT THREAD TO 37° FLARE
39879	4-8 F5OX-S	CONNECTOR,STRAIGHT THREAD TO FLARE TUBE	48750	421-4	HOSE,1/4 INCH ID
39880	6-10 F5OX-S	CONNECTOR,STRAIGHT THREAD TO FLARE TUBE	48751	481TC-4	HOSE,1/4 INCH ID
39881	4-6 F5OX-S	CONNECTOR,STRAIGHT THREAD TO FLARE TUBE	48752	482TC-4	HOSE,1/4 INCH ID
39882	4-HP5ON-S	PLUG,STRAIGHT THREAD	48753	451TC-6	HOSE,3/8 INCH ID
39883	8-8 FTX-S	CONNECTOR,MALE PIPE TO FLARE TUBE	48754	482TC-6	HOSE,3/8 INCH ID
39885	269HB 12-12	ELBOW,90°,BEADED HOSE BARB TO MALE PIPE	48755	381-6	HOSE,3/8 INCH ID
39886	431-6	HOSE,3/8 INCH ID	48756	451TC-8	HOSE,1/2 INCH ID
39887	540N-2	HOSE,1/8 INCH ID	48757	482TC-8	HOSE,1/2 INCH ID
39888	801-8	HOSE,1/2 INCH ID	48758	381-8	HOSE,1/2 INCH ID
39889	801-12	HOSE,3/4 INCH ID	48759	381-10	HOSE,5/8 INCH ID
39890	10643-6-6	HOSE END,FEMALE SWIVEL,JIC	48760	451TC-10	HOSE,5/8 INCH ID
39891	13943-6-6	HOSE END,90° FEMALE SWIVEL,JIC	48761	482TC-12	HOSE,3/4 INCH ID
39892	13743-6-6	HOSE END,45° FEMALE SWIVEL,JIC	48762	451TC-12	HOSE,3/4 INCH ID
39894	30682-8-8	HOSE END,FEMALE SWIVEL,JIC	48763	772-12	HOSE,3/4 INCH ID
39895	30682-10-12	HOSE END,FEMALE SWIVEL,JIC	48764	881-16	HOSE,1 INCH ID
42286	8-8 CTX-S	ELBOW,90°,MALE PIPE TO FLARE TUBE	48765	772-16	HOSE,1 INCH ID
42756	8-12 CLO-S	ELBOW,90,MALE PIPE TO ORFS	48766	AS-B-15	SLEEVE,NYLON,1.06" ID
42757	8-12 FLO-S	CONNECTOR,MALE PIPE TO ORFS	48767	AS-B-22	SLEEVE,NYLON,1.42" ID
42758	4 JLO-S	UNION TEE,ORFS	48770	881-8	HOSE,1/2 INCH ID
42759	4-4 FLO-S	CONNECTOR,MALE PIPE TO ORFS			
42760	6-8 FLO-S	CONNECTOR,MALE PIPE TO ORFS			
42761	1J143-6-4	HOSE END,90° FEMALE SWIVEL,SEAL LOK			
42762	1J743-6-4	HOSE END,45° FEMALE SWIVEL,SEAL LOK			
42768	1JO43-4-4	HOSE END,MALE,SEAL LOK			
42776	601-8	HOSE,1/2 INCH ID			
42777	1J743-16-16	HOSE END,45° FEMALE SWIVEL,SEAL LOK			
42786	16 CLO-S	ELBOW,90°,MALE PIPE TO ORFS			
42787	16 R6LO-S	RUN TEE,SWIVEL NUT,ORFS			
42788	16-8 TRLO-BL-S	REDUCER,TUBE END TO SWIVEL,ORFS			
42789	6-6 CLO-S	ELBOW,90°,MALE PIPE TO ORFS			
42790	8-10 V5OLO-S	ELBOW,45°,STRAIGHT THREAD TO ORFS			
42791	3/4 CD-S	ELBOW,90°,MALE TO FEMALE PIPE			
42792	3/4 X 1/2 PTR-S	REDUCER,MALE TO FEMALE PIPE			
42793	1/2 CR-S	ELBOW,90°,MALE PIPE			

## Fitting Cross References (Continued)

Genie PN	Parker PN	Description	Genie PN	Parker PN	Description
48771	881-10	HOSE,5/8 INCH ID	48847	13943-12-12	HOSE END,90° FEMALE SWIVEL,JIC
48772	381-4	HOSE,1/4 INCH ID	48848	10543-12-12	HOSE END,MALE,STRAIGHT THREAD
48773	AS-B-13	SLEEVE,NYLON,.86" ID	48849	1JC71-12-12	HOSE END,FEMALE SWIVEL,SEAL LOK
48800	1JC43-4-4	HOSE END,FEMALE SWIVEL,SEAL LOK	48850	1JS71-12-12	HOSE END,FEMALE SWIVEL,SEAL LOK
48801	1J743-4-4	HOSE END,45° FEMALE SWIVEL,SEAL LOK	48851	1J171-12-12	HOSE END,90° FEMALE SWIVEL,SEAL LOK
48802	1J943-4-4	HOSE END,90° FEMALE SWIVEL,SEAL LOK	48852	1J771-12-12	HOSE END,45° FEMALE SWIVEL,SEAL LOK
48804	1JM43-4-4	HOSE END,MALE,SEAL LOK, NO O-RING	48853	1J971-12-12	HOSE END,90° FEMALE SWIVEL,SEAL LOK
48805	10643-4-4	HOSE END,FEMALE SWIVEL,JIC	48854	1JC43-16-16	HOSE END,FEMALE SWIVEL,SEAL LOK
48806	13943-4-4	HOSE END,90° FEMALE SWIVEL,JIC	48855	1J943-16-16	HOSE END,90° FEMALE SWIVEL,SEAL LOK
48807	1JS43-4-4	HOSE END,FEMALE SWIVEL,SEAL LOK	48856	1J171-16-16	HOSE END,90° FEMALE SWIVEL,SEAL LOK
48808	3JC82-8-8	HOSE END,FEMALE SWIVEL,SEAL LOK	48857	1J971-16-16	HOSE END,90° FEMALE SWIVEL,SEAL LOK
48809	3JC82-12-12	HOSE END,FEMALE SWIVEL,SEAL LOK	48859	1JS43-8-4	HOSE END,FEMALE SWIVEL,SEAL LOK
48810	1JC43-6-4	HOSE END,FEMALE SWIVEL,SEAL LOK	48867	PD36BTL	DIAGNOSTIC NIPPLE,SEAL-LOK SWIVEL
48811	1J943-6-4	HOSE END,90° FEMALE SWIVEL,SEAL LOK	48873	6 PNLO-S	PLUG,TUBE END,ORFS
48812	1JC43-6-6	HOSE END,FEMALE SWIVEL,SEAL LOK	48874	6 PNTX-S	PLUG,FLARE TUBE
48813	1J143-6-6	HOSE END,90° FEMALE SWIVEL,SEAL LOK	48875	6 R6LO-S	RUN TEE,SWIVEL NUT,ORFS
48814	1J543-6-6	HOSE END,90° FEMALE SWIVEL,SEAL LOK	48877	4 F5OLO-SW/.025	CONNECTOR,STRAIGHT THREAD TO ORFS, W/.025 ORI
48815	1J743-6-6	HOSE END,45° FEMALE SWIVEL,SEAL LOK	48878	16-12 C5OLO-S	ELBOW,90°,STRAIGHT THREAD TO ORFS
48816	1J943-6-6	HOSE END,90° FEMALE SWIVEL,SEAL LOK	48879	8 C6LO-S	ELBOW,90°,SWIVEL NUT ORFS
48817	1JS43-6-8	HOSE END,FEMALE SWIVEL,SEAL LOK	48880	PD6-285	CAP,DIAGNOSTIC NIPPLE
48818	1J943-8-4	HOSE END,90° FEMALE SWIVEL,SEAL LOK	48881	6 HLO-S	UNION,ORFS
48819	1JC43-8-6	HOSE END,FEMALE SWIVEL,SEAL LOK	48883	8 P5ON-S	PLUG,STRAIGHT THREAD
48820	1J743-8-6	HOSE END,45° FEMALE SWIVEL,SEAL LOK	48884	8M18F87OMLO-S	CONNECTOR,METRIC,STRAIGHT THREAD TO ORFS
48821	1J943-8-6	HOSE END,90° FEMALE SWIVEL,SEAL LOK	48885	4 WGTX-WLN-S	CONNECTOR,BULKHEAD,FEMALE PIPE TO FLARE TUBE
48822	1JC43-8-8	HOSE END,FEMALE SWIVEL,SEAL LOK	48886	4 F5OLO-SW/2MM	CONNECTOR,MACHINED STRAIGHT THREAD TO ORFS
48823	1JS43-8-8	HOSE END,FEMALE SWIVEL,SEAL LOK	48887	4 CTX-S	ELBOW,90°,MALE PIPE TO FLARE TUBE
48824	1J143-8-8	HOSE END,90° FEMALE SWIVEL,SEAL LOK	48888	10-12 V5OLO-S	ELBOW,45°,STRAIGHT THREAD TO ORFS
48825	1J543-8-8	HOSE END,90° FEMALE SWIVEL,SEAL LOK	48890	4 S5OLO-S	BRANCH TEE,STRAIGHT THREAD TO ORFS
48826	1J743-8-8	HOSE END,45° FEMALE SWIVEL,SEAL LOK	48891	4 S6LO-S	BRANCH TEE,SWIVEL NUT TO ORFS
48827	1J943-8-8	HOSE END,90° FEMALE SWIVEL,SEAL LOK			
48828	1JC43-10-8	HOSE END,FEMALE SWIVEL,SEAL LOK			
48829	1JS43-10-8	HOSE END,FEMALE SWIVEL,SEAL LOK			
48830	1J743-10-8	HOSE END,45° FEMALE SWIVEL,SEAL LOK			
48831	1J943-10-8	HOSE END,90° FEMALE SWIVEL,SEAL LOK			
48833	1JC43-10-10	HOSE END,FEMALE SWIVEL,SEAL LOK			
48834	1J943-10-10	HOSE END,90° FEMALE SWIVEL,SEAL LOK			
48835	1JS43-10-12	HOSE END,FEMALE SWIVEL,SEAL LOK			
48836	1JC43-12-8	HOSE END,FEMALE SWIVEL,SEAL LOK			
48837	1JS43-12-8	HOSE END,FEMALE SWIVEL,SEAL LOK			
48838	1J743-12-8	HOSE END,45° FEMALE SWIVEL,SEAL LOK			
48839	1J943-12-8	HOSE END,90° FEMALE SWIVEL,SEAL LOK			
48840	1J943-12-10	HOSE END,90° FEMALE SWIVEL,SEAL LOK			
48841	1JC43-12-12	HOSE END,FEMALE SWIVEL,SEAL LOK			
48842	1JO43-12-12	HOSE END,MALE,SEAL LOK			
48843	1J143-12-12	HOSE END,90° FEMALE SWIVEL,SEAL LOK			
48844	1J543-12-12	HOSE END,90° FEMALE SWIVEL,SEAL LOK			
48845	1J743-12-12	HOSE END,45° FEMALE SWIVEL,SEAL LOK			
48846	1J943-12-12	HOSE END,90° FEMALE SWIVEL,SEAL LOK			

## Fitting Cross References (Continued)

Genie PN	Parker PN	Description	Genie PN	Parker PN	Description
48892	6 C6LO-S	ELBOW,90°,SWIVEL NUT ORFS	48938	8 R6LO-S	RUN TEE,SWIVEL NUT,ORFS
48893	6 F5OHAO-S	UNION,STRAIGHT THREAD	48939	8 S6LO-S	BRANCH TEE,SWIVEL NUT TO ORFS
48894	8 WLO-WLNL-S	UNION,BULKHEAD,ORFS	48940	8 WJLO-WLNL-S	RUN TEE, BULKHEAD,ORFS
48895	DT-370-MSMO-5	VALVE,CHECK	48941	8-4 TRLO-S	REDUCER,TUBE END TO SWIVEL,ORFS
48896	6 JLO-S	UNION,TEE,ORFS	48942	8-6 C5OLO-S	ELBOW,90°,STRAIGHT THREAD TO ORFS
48897	DT-750-MSMS-5	VALVE,CHECK	48943	8-6 F5OLO-S	CONNECTOR,STRAIGHT THREAD TO ORFS
48898	DT-750-MOMS-5	VALVE,CHECK	48944	8-8 FLO-S	CONNECTOR,MALE PIPE TO ORFS
48899	DT-620-MOMS-5	VALVE,CHECK	48945	8 FTX-S	CONNECTOR,MALE PIPE TO FLARE TUBE
48900	4-6 F5OLO-SW/.035	CONNECTOR,STRAIGHT THREAD TO ORFS, W/.035 ORI	48946	8-10 F5OLO-S	CONNECTOR,STRAIGHT THREAD TO ORFS
48902	16-1 AOE4G-S	ELBOW,90° LONG,FEMALE PIPE TO STRAIGHT THREAD	48947	8-12 C5OLO-S	ELBOW,90°,STRAIGHT THREAD TO ORFS
48903	1 FF-S	NIPPLE,PIPE	48948	8-12 F5OLO-S	CONNECTOR,STRAIGHT THREAD TO ORFS
48904	4 C5OLO-S	ELBOW,90°,STRAIGHT THREAD TO ORFS	48949	8-16 F5OLO-S	CONNECTOR,STRAIGHT THREAD TO ORFS
48905	4 F5OLO-S	CONNECTOR,STRAIGHT THREAD TO ORFS	48950	10 C5OLO-S	ELBOW,90°,STRAIGHT THREAD TO ORFS
48906	4 R5OLO-S	RUN TEE,STRAIGHT THREAD	48951	10 CC5OLO-S	ELBOW,90° LONG,STRAIGHT THREAD TO ORFS
48907	4 V5OLO-S	ELBOW,45°,STRAIGHT THREAD TO ORFS	48952	10 F5OLO-S	CONNECTOR,STRAIGHT THREAD TO ORFS
48908	4 R6LO-S	RUN TEE,SWIVEL NUT,ORFS	48953	10 R5OLO-S	RUN TEE,STRAIGHT THREAD
48909	4 WJLO-WLNL-S	RUN TEE, BULKHEAD,ORFS	48954	10 S5OLO-S	BRANCH TEE,STRAIGHT THREAD TO ORFS
48910	4 GTX-S W/.030	CONNECTOR,FEMALE PIPE TO FLARE TUBE	48955	10 R6LO-S	RUN TEE,SWIVEL NUT,ORFS
48911	4-6 C5OLO-S	ELBOW,90°,STRAIGHT THREAD TO ORFS	48956	10-4 TRLO-BL-S	REDUCER,TUBE END TO SWIVEL,ORFS
48912	4-6 F5OLO-S	CONNECTOR,STRAIGHT THREAD TO ORFS	48957	10-6 TRLO-BL-S	REDUCER,TUBE END TO SWIVEL,ORFS
48913	4-6 F5OLO-SW/.030	CONNECTOR,STRAIGHT THREAD TO ORFS, W/.030 ORI	48958	10-12 F5OLO-S	CONNECTOR,STRAIGHT THREAD TO ORFS
48914	4-8 F5OLO-S	CONNECTOR,STRAIGHT THREAD TO ORFS	48959	12 C5OLO-S	ELBOW,90°,STRAIGHT THREAD TO ORFS
48915	6 C5OLO-S	ELBOW,90°,STRAIGHT THREAD TO ORFS	48960	12 F5OLO-S	CONNECTOR,STRAIGHT THREAD TO ORFS
48916	6 F5OLO-S	CONNECTOR,STRAIGHT THREAD TO ORFS	48961	12 R5OLO-S	RUN TEE,STRAIGHT THREAD
48917	6 FF5OLO-S	CONNECTOR,LONG,STRAIGHT THREAD TO ORFS	48962	12 S5OLO-S	BRANCH TEE,STRAIGHT THREAD TO ORFS
48918	6 R5OLO-S	RUN TEE,STRAIGHT THREAD	48963	12 V5OLO-S	ELBOW,45°,STRAIGHT THREAD TO ORFS
48919	6 S5OLO-S	BRANCH TEE,STRAIGHT THREAD TO ORFS	48964	12 R6LO-S	RUN TEE,SWIVEL NUT,ORFS
48920	6 V5OLO-S	ELBOW,45°,STRAIGHT THREAD TO ORFS	48965	12 CLO-S	ELBOW,90°,MALE PIPE TO ORFS
48921	6 FLO-S	CONNECTOR,MALE PIPE TO ORFS	48966	12 FLO-S	CONNECTOR,MALE PIPE TO ORFS
48922	6-6 FLO-S	CONNECTOR,MALE PIPE TO ORFS	48967	12 JLO-S	UNION TEE,ORFS
48923	6 P5ON-S	PLUG,STRAIGHT THREAD	48968	12 WLO-WLNL-S	UNION,BULKHEAD,ORFS
48925	6 WELO-S	UNION,90° BULKHEAD,ORFS	48969	12 WJLO-WLNL-S	RUN TEE, BULKHEAD,ORFS
48926	6-4 C5OLO-S	ELBOW,90°,STRAIGHT THREAD TO ORFS	48970	12 WELO-WLNL-S	UNION,90° BULKHEAD W/NUT,ORFS
48927	6-4 F5OLO-S	CONNECTOR,STRAIGHT THREAD TO ORFS			
48928	6-4 V5OLO-S	ELBOW,45°,STRAIGHT THREAD TO ORFS			
48929	6-8 C5OLO-S	ELBOW,90°,STRAIGHT THREAD TO ORFS			
48930	6-8 F5OLO-S	CONNECTOR,STRAIGHT THREAD TO ORFS			
48931	6-10 F5OLO-S	CONNECTOR,STRAIGHT THREAD TO ORFS			
48932	8 C5OLO-S	ELBOW,90°,STRAIGHT THREAD TO ORFS			
48933	8 F5OLO-S	CONNECTOR,STRAIGHT THREAD TO ORFS			
48934	8 FF5OLO-S	CONNECTOR,LONG,STRAIGHT THREAD TO ORFS			
48935	8 R5OLO-S	RUN TEE,STRAIGHT THREAD			
48936	8 S5OLO-S	BRANCH TEE,STRAIGHT THREAD TO ORFS			
48937	8 V5OLO-S	ELBOW,45°,STRAIGHT THREAD TO ORFS			

## Fitting Cross References (Continued)

Genie PN	Parker PN	Description	Genie PN	Parker PN	Description
48971	12 G5G5JG5-S	TEE,FEMALE STRAIGHT THREAD	49612	PKT02586	O-RING KIT (ORFS FITTINGS)
48972	12 XHL6-S	ADAPTER, 37° MALE TO SWIVEL ORFS	49613	PKT06276	PLUG AND CAP KIT-SERVICE,ORFS
48973	12-1/2 F5OG-S	ADAPTER,FEMALE PIPE TO STRAIGHT THREAD	49728	10143-12-12	HOSE END, MALE PIPE
48974	12-10 C5OLO-S	ELBOW,90°,STRAIGHT THREAD TO ORFS	49729	16-1 F5OG-S	ADAPTER,FEMALE PIPE TO STRAIGHT THREAD
48975	12-10 F5OLO-S	CONNECTOR,STRAIGHT THREAD TO ORFS	49814	12-8 FLO-S	CONNECTOR,MALE PIPE TO ORFS
48976	12-16 C5OLO-S	ELBOW,90°,STRAIGHT THREAD TO ORFS	49829	DT-500-MOMF-5	VALVE,CHECK
48977	12-16 F5OLO-S	CONNECTOR,STRAIGHT THREAD TO ORFS	49831	881-12	HOSE,3/4 INCH ID
48978	12-16 V5OLO-S	ELBOW,45°,STRAIGHT THREAD TO ORFS	49834	16 JLO-S	UNION TEE,ORFS
48980	12-16 FLO-S	CONNECTOR,MALE PIPE TO ORFS	49838	12-8 TRLO-BL-S	REDUCER,TUBE END TO SWIVEL,ORFS
48983	16 C5OLO-S	ELBOW,90°,STRAIGHT THREAD TO ORFS	49840	8 JLO-S	UNION TEE,ORFS
48984	16 F5OLO-S	CONNECTOR,STRAIGHT THREAD TO ORFS	49844	10-8 TRLO-BL-S	REDUCER,TUBE END TO SWIVEL,ORFS
48985	16 V5OLO-S	ELBOW,45°,STRAIGHT THREAD TO ORFS	49854	8 P5ON-S	PLUG,STRAIGHT THREAD
48986	16 FLO-S	CONNECTOR,MALE PIPE TO ORFS	49855	1JC43-16-12	HOSE END,FEMALE SWIVEL,SEAL LOK
48988	16 CD45-S	ELBOW,45°,MALE TO FEMALE PIPE	49859	4 P5ON-S	PLUG,STRAIGHT THREAD
48989	12 CD45-S	ELBOW,45°,MALE TO FEMALE PIPE	49861	4 FF5OLO-S	CONNECTOR,LONG,STRAIGHT THREAD TO ORFS
48990	8 CD45-S	ELBOW,45°,MALE TO FEMALE PIPE	49867	12-3/4 F5OG-S	ADAPTER,FEMALE PIPE TO STRAIGHT THREAD
48991	16-12 FLO-S	CONNECTOR,MALE PIPE TO ORFS	51152	6 R6X-S	RUN TEE,SWIVEL NUT,ORFS
48992	16-12 V5OLO-S	ELBOW,45°,STRAIGHT THREAD TO ORFS	51153	6-4 TRTX-S	REDUCER,TUBE END TO SWIVEL,ORFS
48993	XV501-12	BALL VALVE	51154	4-4 GTX	CONNECTOR,FEMALE PIPE TO FLARE TUBE
48994	XV501-16	BALL VALVE	51264	881-12	HOSE,3/4 INCH ID
48995	XV510P-12	BALL VALVE	51265	8 JLO-S	UNION TEE,ORFS
48996	XV510P-16	BALL VALVE	51508	6 BTX-S	NUT,FLARE TUBE
48997	PD341	DIAGNOSTIC NIPPLE, STRAIGHT THREAD	51580	12-8 TRLO-BL-S	TUBE END REDUCER,ORFS
48998	PD 361	DIAGNOSTIC NIPPLE, STRAIGHT THREAD	51628	6 R6X-S	RUN TEE,SWIVEL NUT,ORFS
48999	DT-500-MOMS-5	VALVE,CHECK	51735	3/8 HHP	PLUG,PIPE THREAD
49201	10 V5OLO-S	ELBOW,45°,STRAIGHT THREAD TO ORFS	51803	1J943-6-8	HOSE END,90° FEMALE SWIVEL,SEAL LOK
49202	1JC43-12-10	HOSE END,FEMALE SWIVEL,SEAL LOK	53023	125HBL-5-4	FITTING,HOSE BARB TO MALE PIPE
49203	10-8 V5OLO-S	ELBOW,45°,STRAIGHT THREAD TO ORFS	53497	PKT02585	O-RING KIT
49205	6 F5OHAO-S	UNION,STRAIGHT THREAD	53499	1JC71-16-16	HOSE END,FEMALE SWIVEL,SEAL LOK
49207	PD34BTL	DIAGNOSTIC NIPPLE,SEAL-LOK SWIVEL	53500	3-904	O-RING,STRAIGHT THREAD,-4
49209	8M18F870MX-S	CONNECTOR,METRIC,STRAIGHT THREAD TO FLARE TUBE	53501	3-906	O-RING,STRAIGHT THREAD,-6
49212	8 WGTX-WLN-S	CONNECTOR,BULKHEAD,FEMALE PIPE TO FLARE TUBE	53502	3-908	O-RING,STRAIGHT THREAD,-8
49213	30682-8-8	HOSE END,FEMALE SWIVEL,JIC	53503	3-910	O-RING,STRAIGHT THREAD,-10
49216	831-8	HOSE,1/2 INCH ID			
49217	33982-8-8	HOSE END,90° FEMALE SWIVEL,JIC			
49219	PS-B-35	SLEEVE,NYLON,2.19" ID			
49418	4-6 V5OLO-S	ELBOW,45°,STRAIGHT THREAD TO ORFS			
49511	DT370-MOMS-5	VALVE,CHECK			
49512	1 DD-S	ELBOW,90°,FEMALE PIPE			
49513	1 FF-S	NIPPLE,PIPE			
49514	10 HP5ON-S	PLUG,STRAIGHT THREAD			
49515	12-16 CLO-S	ELBOW,90°,MALE PIPE TO ORFS			
49517	6 HP5ON-S	PLUG,STRAIGHT THREAD			
49519	16-12 F5OLO-S	CONNECTOR,STRAIGHT THREAD TO ORFS			
49520	4 VTX-S	ELBOW,45°,MALE PIPE TO FLARE TUBE			
49530	16 C6LO-S	ELBOW,90°,SWIVEL NUT ORFS			

## Fitting Cross References (Continued)

Genie PN	Parker PN	Description	Genie PN	Parker PN	Description
53535	3-912	O-RING,STRAIGHT THREAD,-12	61083	24 F5OLO-S	CONNECTOR,STRAIGHT THREAD TO ORFS
53536	4-PNLO-S	PLUG,TUBE END,ORFS	61086	20 R5OLO-S	RUN TEE,STRAIGHT THREAD
53537	6 PNLO-S	PLUG,TUBE END,ORFS	61090	24-20 F5OLO-S	CONNECTOR,STRAIGHT THREAD TO ORFS
53538	8 PNLO-S	PLUG,TUBE END,ORFS	61091	1J943 24-24	HOSE END,90° FEMALE SWIVEL,SEAL LOK
53539	10 PNLO-S	PLUG,TUBE END,ORFS	61093	1J978-12-12	HOSE END,90° FEMALE SWIVEL,JIC
53540	12 PNLO-S	PLUG,TUBE END,ORFS	61095	1JS43-20-16	HOSE END,FEMALE SWIVEL,SEAL LOK
53946	129HB-5-4	FITTING,90° HOSE BARB TO MALE PIPE	61100	811-24	HOSE,11/2 INCH ID
53951	8-1/4F50G-S	ADAPTER,FEMALE PIPE TO STRAIGHT THREAD	61130	1JS43-24-24	HOSE END,FEMALE SWIVEL,SEAL LOK
53980	6 S6LO-S	BRANCH TEE,SWIVEL NUT TO ORFS	61131	1JS78 12-12	HOSE END,FEMALE SWIVEL,SEAL LOK
54132	4 C6LO-S	ELBOW,90°,SWIVEL NUT ORFS	61132	1J778-12-12	HOSE END,45° FEMALE SWIVEL,JIC
54135	11343-16-16	HOSE END,MALE SWIVEL,PIPE	61152	139HB-6-4	ELBOW,45°,BARB TO MALE PIPE
54283	8-10 C5OLO-S	ELBOW,90°,STRAIGHT THREAD TO ORFS	61251	BV-0750	BALL VALVE
54428	8M18C870MLO-S	ELBOW, 90° METRIC, STRAIGHT THREAD TO ORFS	61259	4 CC5OLO-S	ELBOW,90° LONG,STRAIGHT THREAD TO ORFS
54803	FS-F-16-10	SLEEVE,FIRE,-96" ID	61260	20-12 TRLO-BL	REDUCER,TUBE END TO SWIVEL,ORFS
54954	10143-2-4	HOSE END, MALE PIPE	61262	12 C6LO-S	ELBOW,90°,SWIVEL NUT ORFS
55190	3/8 HP-S	PLUG,PIPE THREAD	61263	20 F5OHAO-S	UNION,STRAIGHT THREAD
55448	8 HLO-S	UNION,ORFS	61264	6-10 C5OLO-S	ELBOW,90°,STRAIGHT THREAD TO ORFS
55839	6 F65OX-S	CONNECTOR,STRAIGHT THREAD TO 37° SWIVEL	61265	6 WNLO-WLNL-S	UNION,BULKHEAD 45°,ORFS
55968	10 C5OX-S	ELBOW,90°,STRAIGHT THREAD TO FLARE TUBE	61268	4 WNLO-WLNL-S	UNION,BULKHEAD 45°,ORFS
56003	6 CC5OLO-S	ELBOW,90° LONG,STRAIGHT THREAD TO ORFS	61269	4 WLO-WLNL-S	UNION,BULKHEAD,ORFS
56166	BV-0837	BALL VALVE,90°	61272	12 AOEL6	ELBOW,90°,STRAIGHT THREAD TO ORFS SWIVEL
56188	10143-8-6	HOSE END, MALE PIPE	61316	482TC-16	HOSE,1 INCH ID
56233	2-011	O-RING,ORFS,-4	61321	6 JLO-S	UNION TEE,ORFS
56234	2-012	O-RING,ORFS,-6	61327	782-12	HOSE,3/4 INCH ID
56235	2-014	O-RING,ORFS,-8	61328	881-24	HOSE,11/2 INCH ID
56236	2-016	O-RING,ORFS,-10	61336	11943-20-24	HOSE END,90° FLANGE HEAD
56237	2-018	O-RING,ORFS,-12	61345	12 WJLO-WLNL-S	RUN TEE, BULKHEAD,ORFS
56238	2-021	O-RING,ORFS,-16	61346	8 WNLO-WLNL-S 4	UNION,BULKHEAD 45°,ORFS
56352	6 WLNL-S	LOCKNUT,BULKHEAD	61569	33782-8-8	HOSE END,45° FEMALE SWIVEL,JIC
56353	3J782-12-12	HOSE END,45° FEMALE SWIVEL,SEAL LOK	61610	12 FF5OLO-S	CONNECTOR,LONG,STRAIGHT THREAD TO ORFS
56354	3J982-12-12	HOSE END,90° FEMALE SWIVEL,SEAL LOK	61742	1/8 X 1.5 FFF	NIPPLE,PIPE
56604	10-8 F5OLO-S	CONNECTOR,STRAIGHT THREAD TO ORFS	63426	8 PNTX-S	PLUG,FLARE TUBE
56639	3JC82-10-10	HOSE END,FEMALE SWIVEL,SEAL LOK			
56640	3J982-10-10	HOSE END,90° FEMALE SWIVEL,SEAL LOK			
56655	3JC82-8-10	HOSE END,FEMALE SWIVEL,SEAL LOK			
56676	10-8 C5OLO-S	ELBOW,90°,STRAIGHT THREAD TO ORFS			
56776	471TC-6	HOSE,3/8 INCH ID			
56777	471TC-8	HOSE,1/2 INCH ID			
56789	811-16	HOSE,1 INCH ID			
57884	3/8 FF	NIPPLE,PIPE			
59335	6 FNL-S	CAP, TUBE END			
59342	4 FNL-S	CAP, TUBE END			
59371	8 HP5ON-S	PLUG,STRAIGHT THREAD			
60653	BV-0751	BALL VALVE			
60806	125HB-3-4	FITTING,HOSE BARB TO MALE PIPE			
61064	5-1/4 F50G-S	ADAPTER,FEMALE PIPE TO STRAIGHT THREAD			
61079	4 WELO-WLNL-S	UNION,90° BULKHEAD W/NUT,ORFS			
61080	6 WLO-WLNL-S	UNION,BULKHEAD,ORFS			

## Fitting Cross References (Continued)

Genie PN	Parker PN	Description	Genie PN	Parker PN	Description
64271	4 WLO-WLNL-S	UNION,BULKHEAD,ORFS	75631	801-6	HOSE,3/8 INCH ID
64272	6 WLO-WLNL-S	UNION,BULKHEAD,ORFS	75654	20 F5OLO-S	CONNECTOR,STRAIGHT THREAD TO ORFS
65776	8 F65OL-S	CONNECTOR,STRAIGHT THREAD TO ORFS SWIVEL	75655	1J943-20-20	HOSE END,90° FEMALE SWIVEL,SEAL LOK
65880	6001012	O-RING KIT	75656	881-20	HOSE,1-1/4 INCH ID
66154	6 WTX-WLNS	UNION,BULKHEAD,FLARE TUBE	75971	8 F5OHAO-S	UNION,STRAIGHT THREAD
66155	6 WETX-S	UNION,BULKHEAD 90°,FLARE TUBE	77307	1JB43-8-8	HOSE END,BULKHEAD,SEAL LOK
66156	6 WLN-S	BULKHEAD LOCKNUT	77309	8 WLNL-S	BULKHEAD LOCKNUT
66389	6-8 F5OX-S	CONNECTOR,STRAIGHT THREAD TO FLARE TUBE	77379	8M18C87OMX-S	ELBOW,90° METRIC,STRAIGHT THREAD TO FLARE TUBE
66392	6 R5OX-S	RUN TEE,STRAIGHT THREAD	77703	3J982-8-8	HOSE END,90° FEMALE SWIVEL,SEAL LOK
66396	811-12	HOSE,3/4 INCH ID	77711	801-10	HOSE,5/8 INCH ID
66829	H3174PP	CLAMP,TUBE	77758	12 WNLO-WLNL-S	UNION,BULKHEAD 45°,ORFS
67217	4 KLO-S	UNION,CROSS,ORFS	78091	6 C6X-S	ELBOW,90°,SWIVEL NUT TO FLARE TUBE
67339	10-6 F5OX-S	CONNECTOR,STRAIGHT THREAD TO FLARE TUBE	78684	30582-8-8B	HOSE END,PUSH LOK,MALE
67357	13943-8-6	HOSE END,90° FEMALE SWIVEL,JIC	78852	549-2	HOSE,1/8 INCH ID
67358	10 HP5ON-S	PLUG,STRAIGHT THREAD	78855	10657-4-2	HOSE END,FEMALE SWIVEL,JIC
67371	12 S6LO-S	BRANCH TEE,SWIVEL NUT TO ORFS	79138	PS-B-37	SLEEVE,NYLON,2.38" ID
67498	4 FNL-S	CAP, TUBE END	79476	1JS43-6-8	HOSE END,FEMALE SWIVEL,SEAL LOK
67906	DC-370-F0F0-5	VALVE,CHECK	79847	12-3/4 A0EG-S	ELBOW,90°,STRAIGHT THREAD TO FEMALE PIPE
69316	8 FLO-S	CONNECTOR,MALE PIPE TO ORFS	80044	8 CLO-S	ELBOW,90°,MALE PIPE TO ORFS
69333	H3174PP	CLAMP,HYDRAULIC HOSE	80502	8 F5OX-S	CONNECTOR,STRAIGHT THREAD TO FLARE TUBE
69503	4 F65OX-S	CONNECTOR,STRAIGHT THREAD TO 37° SWIVEL	80503	8 C5OX-S	ELBOW,90°,STRAIGHT THREAD TO FLARE TUBE
69775	8 FNL-S	CAP, TUBE END	81010	AS-B-27	SLEEVE,NYLON,1.63" ID
71038	1/4X1/4F3HG-S	ADAPTER,CONVERSION	83052	821-6	HOSE,3/8 INCH ID
71196	12-8 F5OLO-S	CONNECTOR,STRAIGHT THREAD TO ORFS	83053	821-8	HOSE,1/2 INCH ID
71383	1/4 CD45-S	ELBOW,45°,MALE TO FEMALE PIPE	83054	821-12	HOSE,3/4 INCH ID
72270	12FNL-S	CAP, TUBE END	83055	30682-6-6	HOSE END,FEMALE SWIVEL,JIC
73436	60C-4	SLEEVE,COMPRESSION	83056	30682-12-12	HOSE END,FEMALE SWIVEL,JIC
73437	61C-4	NUT,COMPRESSION	83057	33782-6-6	HOSE END,45° FEMALE SWIVEL,JIC
73438	33482-4-4B	HOSE END,PUSH LOK,MALE	83058	33982-6-6	HOSE END,90° FEMALE SWIVEL,JIC
73767	1CD-S	ELBOW,90°,MALE TO FEMALE PIPE	83060	33982-12-12	HOSE END,90° FEMALE SWIVEL,JIC
73768	20-16-F5OG5-S	ADAPTER,FEMALE PIPE TO STRAIGHT THREAD	83063	13743-4-4	HOSE END,45° FEMALE SWIVEL,JIC
73769	16-20 F5OLO-S	CONNECTOR,STRAIGHT THREAD TO ORFS			
74660	6-8 F42EDMLO-S	CONNECTOR,MALE BSPP TO ORFS			
74661	8-8 F42EDMLO-S	CONNECTOR,MALE BSPP TO ORFS			
75007	4 FLO-S	CONNECTOR,MALE PIPE TO ORFS			
75008	1/8 HP-S	PLUG,PIPE THREAD			
75014	1/2 HP-S	PLUG,PIPE THREAD			
75042	8 WELO-WLNL-S	UNION,90° BULKHEAD W/NUT,ORFS			
75043	3/4 FF-S	NIPPLE,PIPE			
75254	24 F5OHAO-S	UNION,STRAIGHT THREAD			
75255	12 F5OHAO-S	UNION,STRAIGHT THREAD			
75256	XV506P-24	BALL VALVE			
75574	4 WLNL-S	BULKHEAD LOCKNUT			
75612	8 WJLO-WLNL-S	RUN TEE, BULKHEAD,ORFS			
75613	12-8 F5OG5-S	ADAPTER,FEMALE PIPE TO STRAIGHT THREAD			
75614	8 CC5OLO-S	ELBOW,90° LONG,STRAIGHT THREAD TO ORFS			
75628	1JB43-4-4	HOSE END,BULKHEAD,SEAL LOK			

## Fitting Cross References (Continued)

Genie PN	Parker PN	Description	Genie PN	Parker PN	Description
83064	13743-8-8	HOSE END,45° FEMALE SWIVEL,JIC	89449	6 WJLO-WLNL-S	RUN TEE, BULKHEAD,ORFS
83065	13743-12-12	HOSE END,45° FEMALE SWIVEL,JIC	89489	4 WJMLO-S	BRANCH TEE,BULKHEAD,ORFS
83066	13943-8-8	HOSE END,90° FEMALE SWIVEL,JIC	89551	1JB43-6-6	HOSE END,BULKHEAD,SEAL LOK
83067	14143-6-6	HOSE END,90° FEMALE SWIVEL,JIC	89552	1JB43-8-8	HOSE END,BULKHEAD,SEAL LOK
83068	14143-8-8	HOSE END,90° FEMALE SWIVEL,JIC	89593	20 C5OLO-S	ELBOW,90°,STRAIGHT THREAD TO ORFS
83069	14143-12-12	HOSE END,90° FEMALE SWIVEL,JIC	94161	8-8 CLO-S	ELBOW,90°,MALE PIPE TO ORFS
83070	772-8	HOSE,1/2 INCH ID	94358	351TC-12	HOSE,3/4 INCH ID
83071	10671-8-8	HOSE END,FEMALE SWIVEL,JIC	94418	20 FLO-S	CONNECTOR,MALE PIPE TO ORFS
83072	10671-12-12	HOSE END,FEMALE SWIVEL,JIC	96358	12 TX-S	SLEEVE,FLARE TUBE
83073	13771-8-8	HOSE END,45° FEMALE SWIVEL,JIC	96359	12 BTX-S	NUT,FLARE TUBE
83074	13771-12-12	HOSE END,45° FEMALE SWIVEL,JIC	96397	8 F5OX-S	CONNECTOR,STRAIGHT THREAD TO FLARE TUBE
83075	13971-8-8	HOSE END,90° FEMALE SWIVEL,JIC	96398	12-8 F5OX-S	CONNECTOR,STRAIGHT THREAD TO FLARE TUBE
83076	13971-12-12	HOSE END,90° FEMALE SWIVEL,JIC	96402	10343-6-6	HOSE END,MALE,JIC
83077	14171-8-8	HOSE END,90° FEMALE SWIVEL,JIC	96407	30382-6-6B	HOSE END,MALE,JIC
83078	14171-12-12	HOSE END,90° FEMALE SWIVEL,JIC			
83080	13943-16-16	HOSE END,90° FEMALE SWIVEL,JIC			
83103	10671-16-12	HOSE END,FEMALE SWIVEL,JIC			
83104	10671-10-12	HOSE END,FEMALE SWIVEL,JIC			
83112	1JC71-8-8	HOSE END,FEMALE SWIVEL,SEAL LOK			
83113	1JS71-16-12	HOSE END,FEMALE SWIVEL,SEAL LOK			
83114	1JS71-10-12	HOSE END,FEMALE SWIVEL,SEAL LOK			
83115	1J971-8-8	HOSE END,90° FEMALE SWIVEL,SEAL LOK			
83116	1J171-8-8	HOSE END,90° FEMALE SWIVEL,SEAL LOK			
83117	1J771-8-8	HOSE END,45° FEMALE SWIVEL,SEAL LOK			
83127	1J543-6-8	HOSE END,90° FEMALE SWIVEL,JIC			
83128	1JC43-6-8	HOSE END,FEMALE SWIVEL,SEAL LOK			
87033	12-6 TRLO-S	REDUCER,TUBE END TO SWIVEL,ORFS			
87034	3J782-8-8	HOSE END,45° FEMALE SWIVEL,SEAL LOK			
87172	12 HP5ON-S	PLUG,STRAIGHT THREAD			
87185	8 WNLO-WLNL-S	UNION,BULKHEAD 45°,ORFS			
87246	4 C6X-S	ELBOW,90°,SWIVEL NUT TO FLARE TUBE			
87679	6 LHP-S	FLANGE SEAL FITTING, MALE			
87681	6PLS N0702	BONDED SEAL			
88100	SR88100	ADAPTER,OIL DRAIN,GM 3.0L			
88311	1JS43-20-20	HOSE END,FEMALE SWIVEL,SEAL LOK			
88353	20 V5OLO-S	ELBOW,45°,STRAIGHT THREAD TO ORFS			
88474	10081-20	Crimp Shell, 1.25"			
88475	1988-20-24	HOSE END,90° FLANGE HEAD			
88476	JS88-24-24	HOSE END,FEMALE SWIVEL,SEAL LOK			
88477	1JC88-20-20	HOSE END,FEMALE SWIVEL,SEAL LOK			
88478	811-20	HOSE,11/4 INCH ID			
88936	20-16 F5OLO-S	CONNECTOR,STRAIGHT THREAD TO ORFS			
88937	20-16 FLO-S	CONNECTOR,MALE PIPE TO ORFS			
88938	1JC88-16-16	HOSE END,FEMALE SWIVEL,SEAL LOK			
88939	1J988-16-16	HOSE END,90° FEMALE SWIVEL,ORFS			
88940	811-16	HOSE,1 INCH ID			
88944	1J988-20-20	HOSE END,90° FEMALE SWIVEL,ORFS			
89403	16 VLO-S	ELBOW,45°,MALE PIPE TO ORFS			

California Proposition 65



**WARNING**

Operating, servicing and maintaining this equipment can expose you to chemicals including engine exhaust, carbon monoxide, phthalates, and lead, which are known to the State of California to cause cancer and birth defects or other reproductive harm. These chemicals can be emitted from or contained in other various parts and systems, fluids and some component wear by-products. To minimize exposure, avoid breathing exhaust, do not idle the engine except as necessary, service your equipment and vehicle in a well-ventilated area and wear gloves or wash your hands frequently when servicing your equipment or vehicle and after operation. For more information go to [www.P65Warnings.ca.gov/passenger-vehicle](http://www.P65Warnings.ca.gov/passenger-vehicle).

Breathing diesel engine exhaust exposes you to chemicals known to the State of California to cause cancer and birth defects or other reproductive harm.

- Always start and operate the engine in a well-ventilated area.
- If in an enclosed area, vent the exhaust to the outside.
- Do not modify or tamper with the exhaust system.
- Do not idle the engine except as necessary.

For more information go to [www.P65warnings.ca.gov/diesel](http://www.P65warnings.ca.gov/diesel).

# Parts Manual

Z-51/30J

*from serial number Z513007B-101 to Z513014B-1200*

Part No.  
147023

Rev B18

**Genie**  
A TEREX BRAND