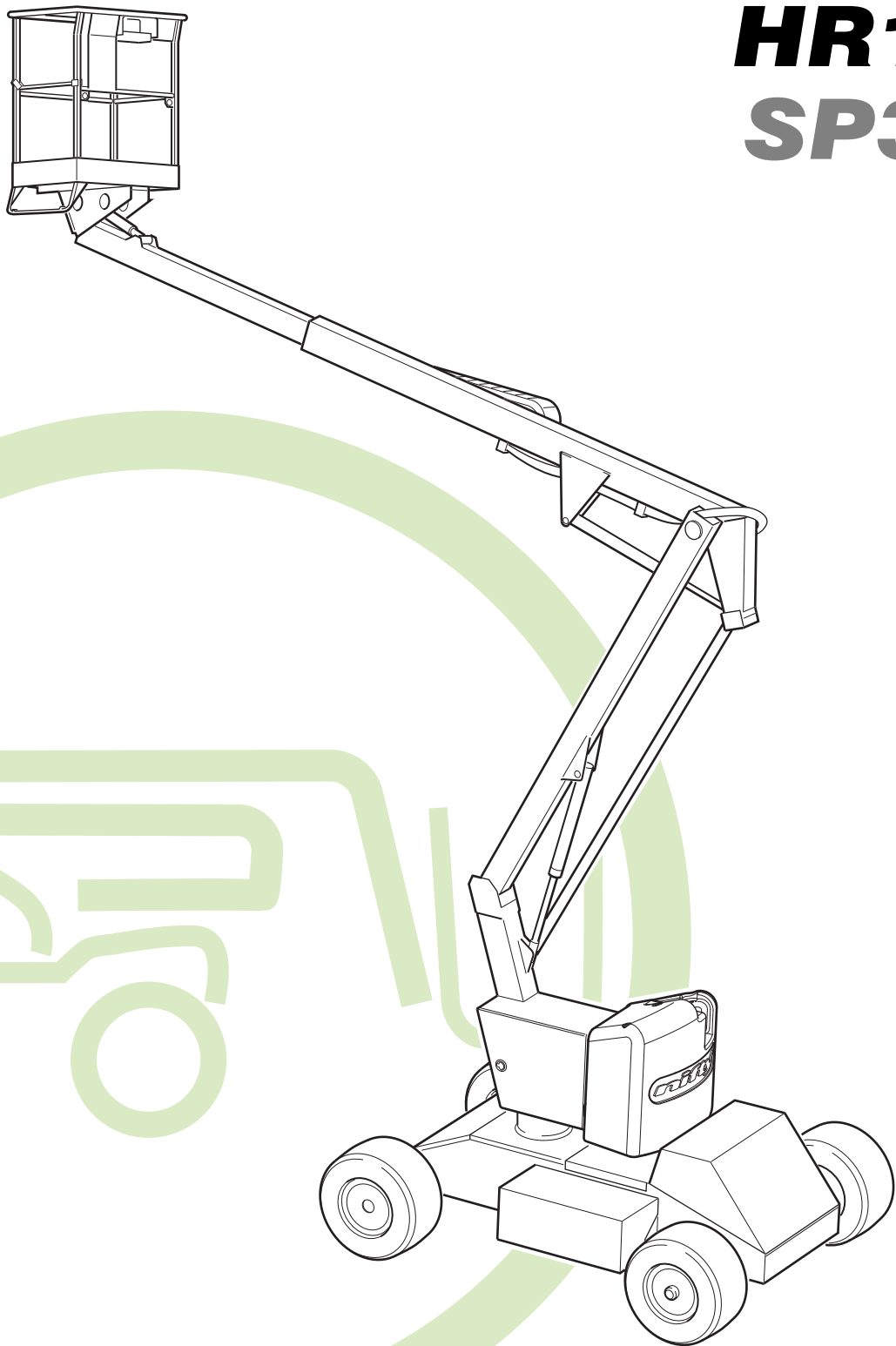




nifty

HR12 **SP34**



niftylift.com

M50510/05



Issue 5
(October 2015)

illustrated parts manual

Manuel illustré de pièces détachées

Illustrierte Stückliste

Manual de piezas ilustrado

Please Note, at the time of going to press, all information, illustrations details and descriptions contained herein are valid. Niftylift reserves the right to change, alter, modify or improve its products without any obligation to install them on previously manufactured machines.

Readers of this manual requiring further information should contact us at:

Niftylift Ltd.
Fingle Drive
Stonebridge
Milton Keynes
MK13 OER
United Kingdom

Niftylift Inc.
1525 S.Buncombe Road
Greer
SC 29651
USA

Tel	+44 (0)1908 857899	1 864 968 8881
Fax	+44 (0)1908 227460	1 864 968 8836

Ordering of Parts

When ordering a replacement part for your Niftylift product, please state the following:

- Machine Model and Serial number Niftylift Part number
- Full description of the part Quantity required
- Purchase Order number Destination address

Machine Information

Model number. Date of Purchase

Serial number

Veuillez noter qu'au moment de la mise sous presse, l'ensemble des informations, illustrations, détails et descriptions, contenus dans le présent document, sont valides. Niftylift se réserve le droit de changer ou d'améliorer ses produits sans obligation de montage sur les anciennes machines.

Pour toutes informations supplémentaires, veuillez nous contacter à:

Niftylift Ltd.
Fingle Drive
Stonebridge
Milton Keynes
MK13 OER
United Kingdom

Niftylift Inc.
1525 S.Buncombe Road
Greer
SC 29651
USA

Tel	+44 (0)1908 857899	1 864 968 8881
Fax	+44 (0)1908 227460	1 864 968 8836

Commande de pièces

Lors de la commande de pièces de rechange pour votre machine Niftylift, veuillez indiquer ce qui suit:

- Modèle et numéro de série de la machine Référence de la pièce Niftylift
- Description complète de la pièce Quantité requise
- Numéro de commande Adresse de destination

Informations relatives à la machine

Numéro de modèle Date d'achat

Numéro de série



Bitte nehmen Sie zur Kenntnis, dass alle hierin enthaltenen Informationen, Illustrationen und Beschreibungen zum Zeitpunkt des Drucks gültig sind. Niftylift behält sich das Recht vor, Produkte zu wechseln, ändern, modifizieren und zu verbessern, ohne verpflichtet zu sein, sie an früher gefertigten Maschinen zu installieren.

Wenn Leser dieser Anleitung weitere Informationen benötigen, wenden sie sich bitte an uns unter:

Niftylift Ltd.
Fingle Drive
Stonebridge
Milton Keynes
MK13 OER
Großbritannien

Niftylift Inc.
1525 S.Buncombe Road
Greer
SC 29651
USA

Tel +44 (0)1908 857899
 Fax +44 (0)1908 227460

1 864 968 8881
 1 864 968 8836

Bestellen von Ersatzteilen

Bei der Bestellung eines Ersatzteils für Ihr Produkt von Niftylift geben Sie bitte folgende Einzelheiten an:

- Maschinenmodell und Seriennummer Niftylift Art.-Nr.
- Ausführliche Beschreibung des Teils Erforderliche Menge
- Bestellnummer Bestimmungsadresse

Maschineninformationen

Modellnummer Kaufdatum.
 Seriennummer.

Por favor, observe que en el momento de pasar a imprenta, toda la información, ilustraciones y descripciones contenidas en el presente documento eran válidas. Niftylift se reserva el derecho de cambiar, alterar, modificar o mejorar sus productos, sin obligación alguna de instalar dichos cambios en máquinas fabricadas anteriormente.

Los usuarios de este manual que requieran más información, deberán ponerse en contacto con nosotros en:

Niftylift Ltd.
Fingle Drive
Stonebridge
Milton Keynes
MK13 OER
United Kingdom

Niftylift Inc.
1525 S.Buncombe Road
Greer
SC 29651
USA

Tel +44 (0)1908 857899
 Fax +44 (0)1908 227460

1 864 968 8881
 1 864 968 8836

Pedido de piezas

Al realizar el pedido de una pieza de recambio para su producto Niftylift, sírvase especificar lo siguiente:

- Modelo y número de serie de la máquina Número de pieza Niftylift
- Descripción completa de la pieza Cantidad requerida
- Número de orden de compra Dirección de destino

Información de la máquina

Número de modelo Fecha de compra.
 Número de serie



Parts Order Form (make copies for use)

niftylift

Bon de commande de pièces (Faire des photocopies pour vos commandes ultérieures)

tel +44 (0)1908 857899

Bestellformular für Ersatzteile (bitte Kopien zur zukünftigen Verwendung machen)

fax +44 (0)1908 227460

Impreso de pedido de piezas (haga copias para el uso)

www.niftylift.com

name nom name nombre

date date datum fecha

address adresse adresse dirección

delivery address

adresse de livraison

lieferadresse

dirección de entrega

telephone téléphone tel.-Nr. teléfono

purchase order number

numéro de commande

bestellnummer

número de orden de compra

fax fax-Nr.

email e-mail

Part Number Référence pièce Art.-Nr. Número de pieza	description description beschreibung descripción	quantity quantité menge cantidad	price prix preis precio
P			
P			
P			
P			
P			
P			
P			
P			

Note: If items have decals/labels attached, these are **not included** (unless stated otherwise), they must be ordered separately using the part (P) number printed on the decal.

Remarque: si les composants sont dotés d'autocollants/étiquettes, ceux-ci **ne sont pas inclus** (sauf avis contraire). Ils doivent être commandés séparément en indiquant le numéro de référence (P) imprimé sur l'autocollant.

Anmerkung: Wenn an Gegenständen Klebbilder/Etiketten angebracht sind, sind diese (sofern nicht anders angegeben) **nicht enthalten** und müssen separat mit Hilfe der auf den Klebbildern abgedruckten Teilenummern (P) bestellt werden.

Nota: Si los artículos llevan acopladas calcomanías/etiquetas, éstas **no se incluirán** (a menos que se indique lo contrario); deberán pedirse por separado utilizando el número de pieza (P) impreso en la calcomanía.

Alternatively, details of your order can be emailed to **service@niftylift.com**

Alternativement, le détail de votre commande peut nous être envoyé par email à **service@niftylift.com**

Als Alternative können Sie Ihre Bestellung auch an **service@niftylift.com** senden

Alternativamente, los detalles de su pedido pueden enviarse por e-mail a **service@niftylift.com**

1

chassis

page

1.1	Base assembly (P/D/PE/DE)	1-2
1.2	Base assembly (Electric).....	1-6
1.3	Bonnets/Covers & Guards	1-8
1.4	Steering assembly.....	1-10
1.5	Front hub assembly	1-12
1.6	Power pack.....	1-14
1.7	Drive control valve.....	1-16
1.8	Diesel Engine (Part 1)	1-18
1.9	Diesel Engine (Part 2)	1-20
1.10	Diesel box.....	1-22
1.11	Anderson connector.....	1-24
1.12	Generator assembly (Option)	1-26

2

superstructure

page

2.1	Control station - Base.....	2-2
2.2	Slew assembly	2-4
2.3	Control valve assembly (3 spool)	2-6
2.4	Control valve assembly (4 spool)	2-8
2.5	Button box assembly.....	2-10
2.6	Control box.....	2-12
2.7	Dual voltage charger box.....	2-14
2.8	Battery charger.....	2-16

3

boom assemblies

page

3.1	Booms assembly.....	3-2
3.2	Lift cylinder	3-6
3.3	Levelling cylinder.....	3-8
3.4	Telescope cylinder	3-10
3.5	Energy chain	3-12

4

cage

page

4.1	Cage assembly.....	4-2
4.2	SiOPS™ assembly	4-4
4.3	Cage weigh assembly - Load Cell	4-6
4.4	Control box - Cage.....	4-8
4.5	Control valve - Cage.....	4-10

5 labelling

5.1	Label locations HR12	5-2
5.2	Label locations SP34 (USA).....	5-18

Figures page

1.1	Base assembly (P/D/PE/DE)	1-3
1.2	Base assembly (Electric).....	1-7
1.3	Bonnets/Covers & Guards	1-9
1.4	Steering assembly.....	1-11
1.5	Front hub assembly	1-13
1.6	Power pack (Hydr-app).....	1-15
1.7	Drive control valve.....	1-17
1.8	Diesel Engine (Part 1)	1-19
1.9	Diesel Engine (Part 2)	1-21
1.10	Diesel box.....	1-23
1.11	Anderson connector.....	1-25
1.12	Generator assembly	1-27
2.1	Control station - Base.....	2-3
2.2	Slew assembly	2-5
2.3	Control valve assembly (3 spool).....	2-7
2.4	Control valve assembly (4 spool).....	2-9
2.5	Button box assembly.....	2-11
2.6	Control box.....	2-13
2.7	Dual voltage charger box.....	2-15
2.8	Battery charger.....	2-17
3.1	Booms assembly.....	3-3
3.2	Lift cylinder	3-7
3.3	Levelling cylinder.....	3-9
3.4	Telescope cylinder	3-11
3.5	Energy chain	3-13
4.1	Cage assembly.....	4-3
4.2	SiOPS assembly	4-5
4.3	Cage weigh assembly - Load Cell	4-7
4.4	Control box - Cage	4-9
4.5	Control valve - Cage.....	4-11
5.1	Label locations HR12	5-3
5.2	Label locations SP34 (USA).....	5-19
5.3	Labels (1-33).....	5-20
5.4	Labels (34-43).....	5-21

table des matières
 inhaltsverzeichnis
 tabla del contenido

contents

vii

Issue Records

Chapter	Pages	Issue	Date	Comments/Changes
Introduction	8	5	10/2015	Fifth issue
1	28	4	05/2015	Revisions on Pages 1-2 to 1-7
2	18	1	01/2015	First issue
3	14	1	01/2015	First issue
4	12	3	10/2015	Revisions on Pages 4-8/9
5	22	1	01/2015	First issue

* When ordering parts for machines other than the stated serial number, it is advisable to contact the Parts Department;

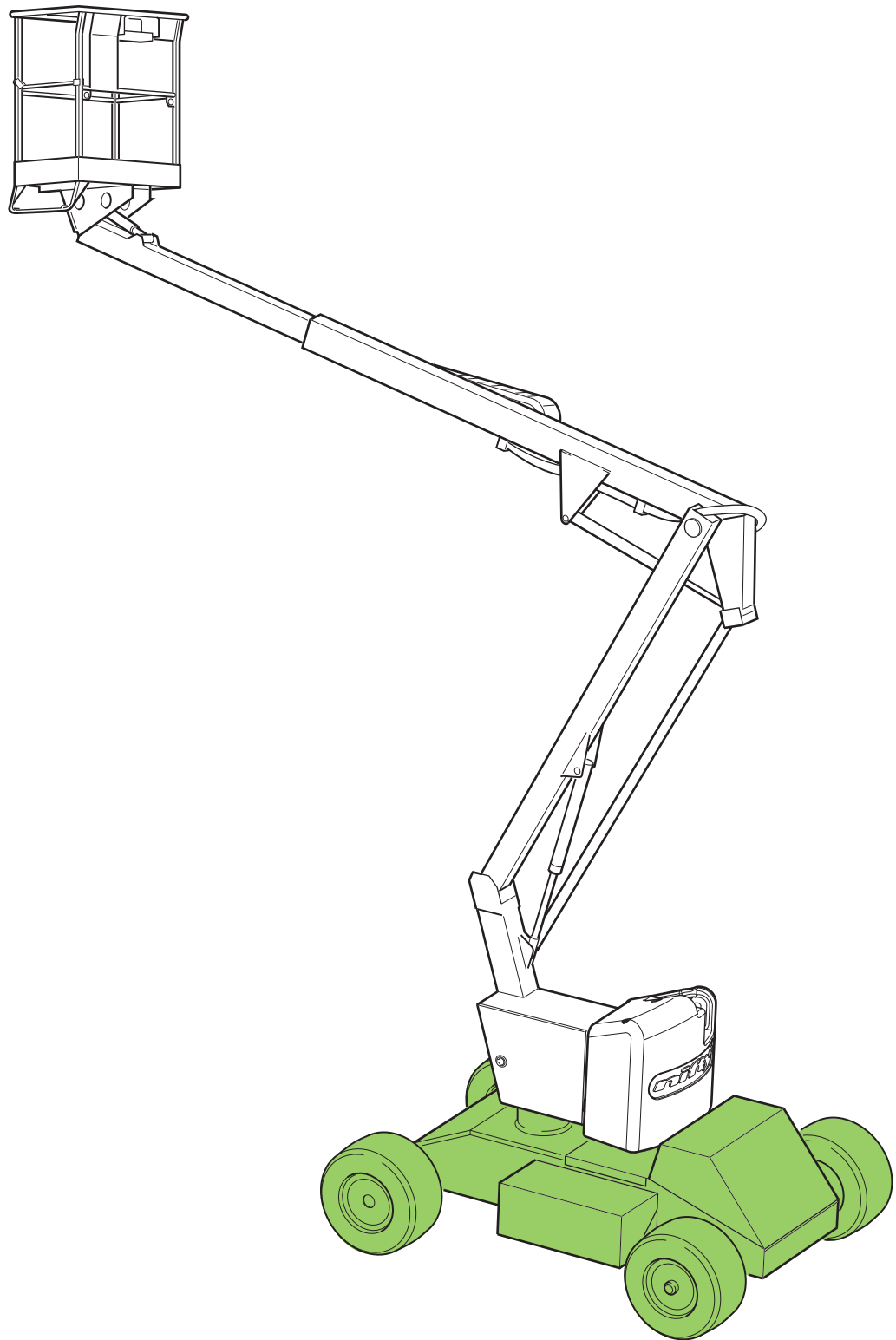
	United Kingdom	USA
<i>Tel</i>	+44 (0)1908 857899	1 864 968 8881
<i>Fax</i>	+44 (0)1908 227460	1 864 968 8836
<i>Email</i>	service@niftylift.com	niftyusa@niftylift.com



nifty

HR12 (SP34)

illustrated parts manual
Manuel illustré de pièces détachées
Illustrierte Stückliste
Manual de piezas ilustrado



1

chassis assembly

french
german
spanish



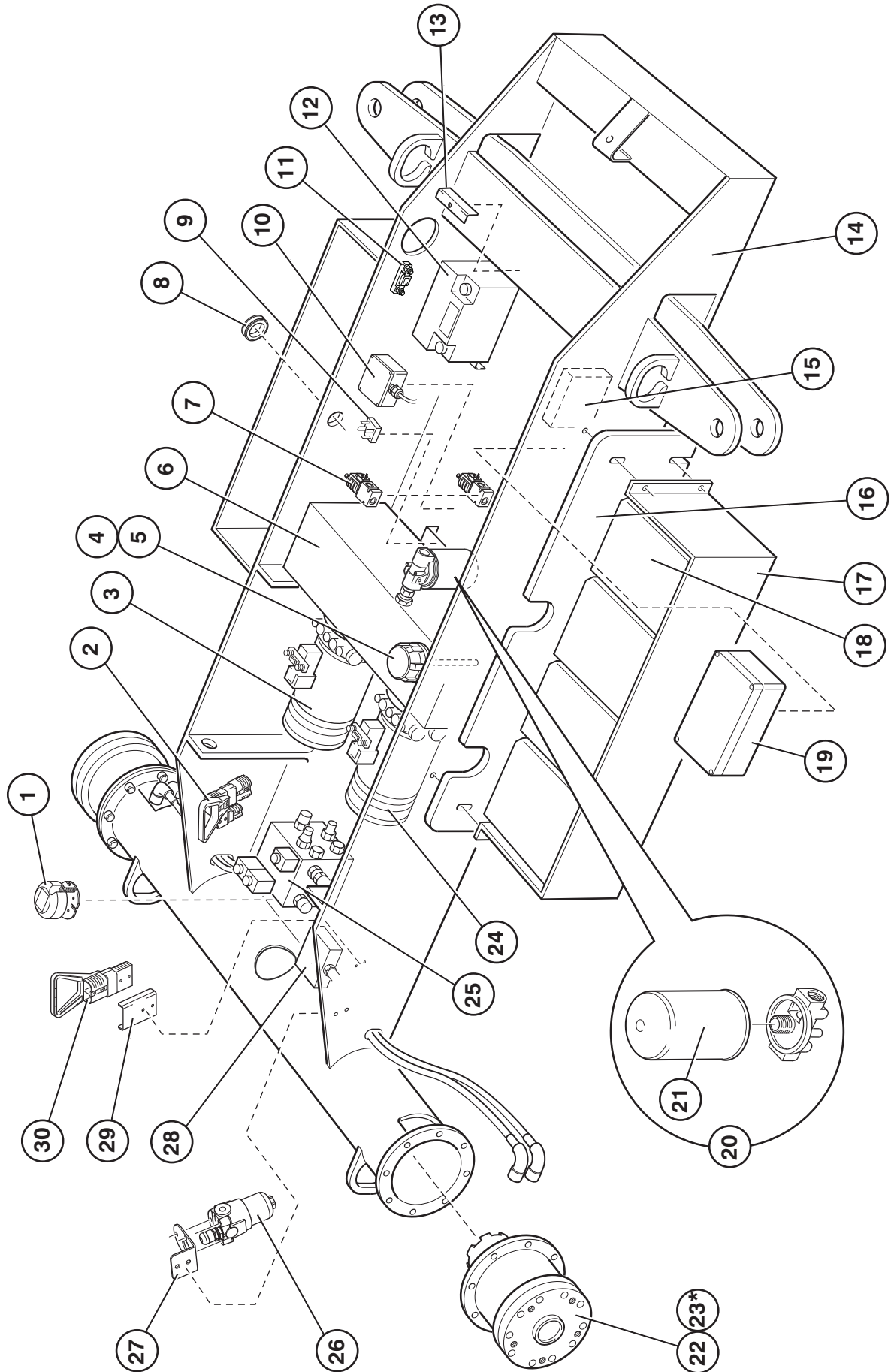
1.1 Base assembly - P/D/PE/DE

Item	Description	Part Number
1	Tilt sensor	P27665
2	Anderson connectors See "Anderson connector" on page 1-24.	N/A
3	Power pack LH (1.2cc pump) See "Power pack" on page 1-14.	P25868
4	Filler cap and filter	P10136
5	Dipstick	P11643
6	Hydraulic oil tank - 19litres/5 gal (USA)	P16288
7	Dump valve Coil	P26939 P27695
8	Grommet	P11283
9	Bridge rectifier	P15763
10	Junction box	P16442
11	Fuse - 125A Fuse Holder	P12696 P24708
12	Battery - 12v	P11975
13	Battery clamp	P12295
14	Base HR12 HR12N	P20020 P20019
15	Regulator (DE only)	P29990
16	Ballast weight (40mm) * (30mm) USA	P27650 P28088
17	Battery tray (DE only)	P10786
18	Battery - 6v (DE Only)	P10829
19	Diesel control box - See "Diesel box" on page 1-22.	P13627
20	Oil filter/bowl assembly	P10137
21	Replacement cartridge for item 20	P10766
22	Gearbox	P15698
23 *	Seal kit for item 22	P18126

* Not illustrated

french
german
spanish

chassis assembly



french
german
spanish

chassis assembly

Figure 1.1 Base Assembly

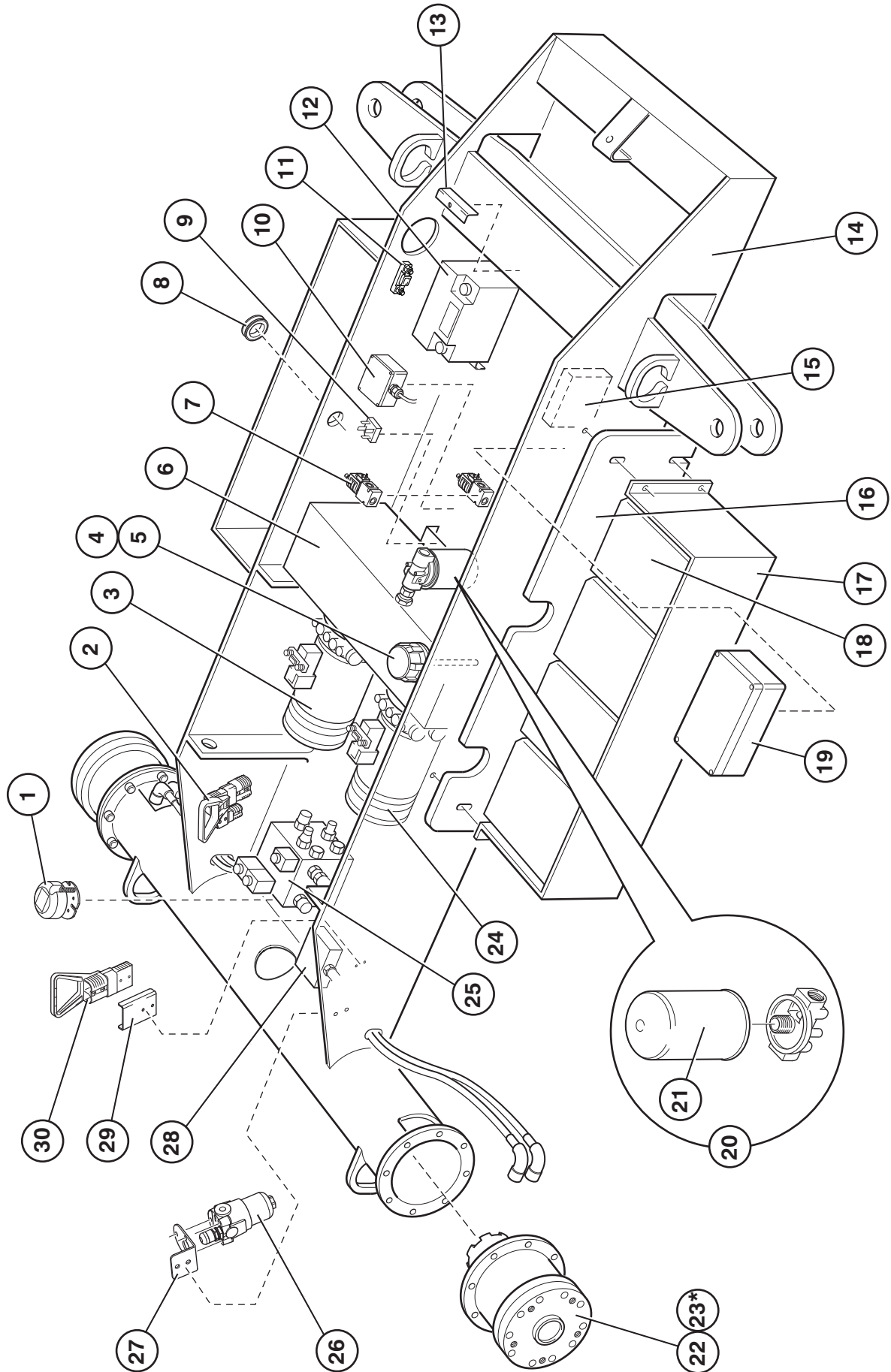
1.1 continued

Item	Description				Part Number
24	Power pack RH (2.2cc pump) See "Power pack" on page 1-14.				P25869
25	Drive control valve - See "Drive control valve" on page 1-16.				P19617
26	Pressure filter Element * 6 micron Condition indicator				P28561 P28924 P24945
27	Mounting bracket				P26326
28	Terminal box assy Fuse - 3.15A * Blade fuse - 5A * Button - White *				P27890 P27710 P27875 P25210
29	Guide bracket				P24713
30	Connector Handle				P17083 P17084

* Not illustrated

french
german
spanish

chassis assembly



french
german
spanish

chassis assembly



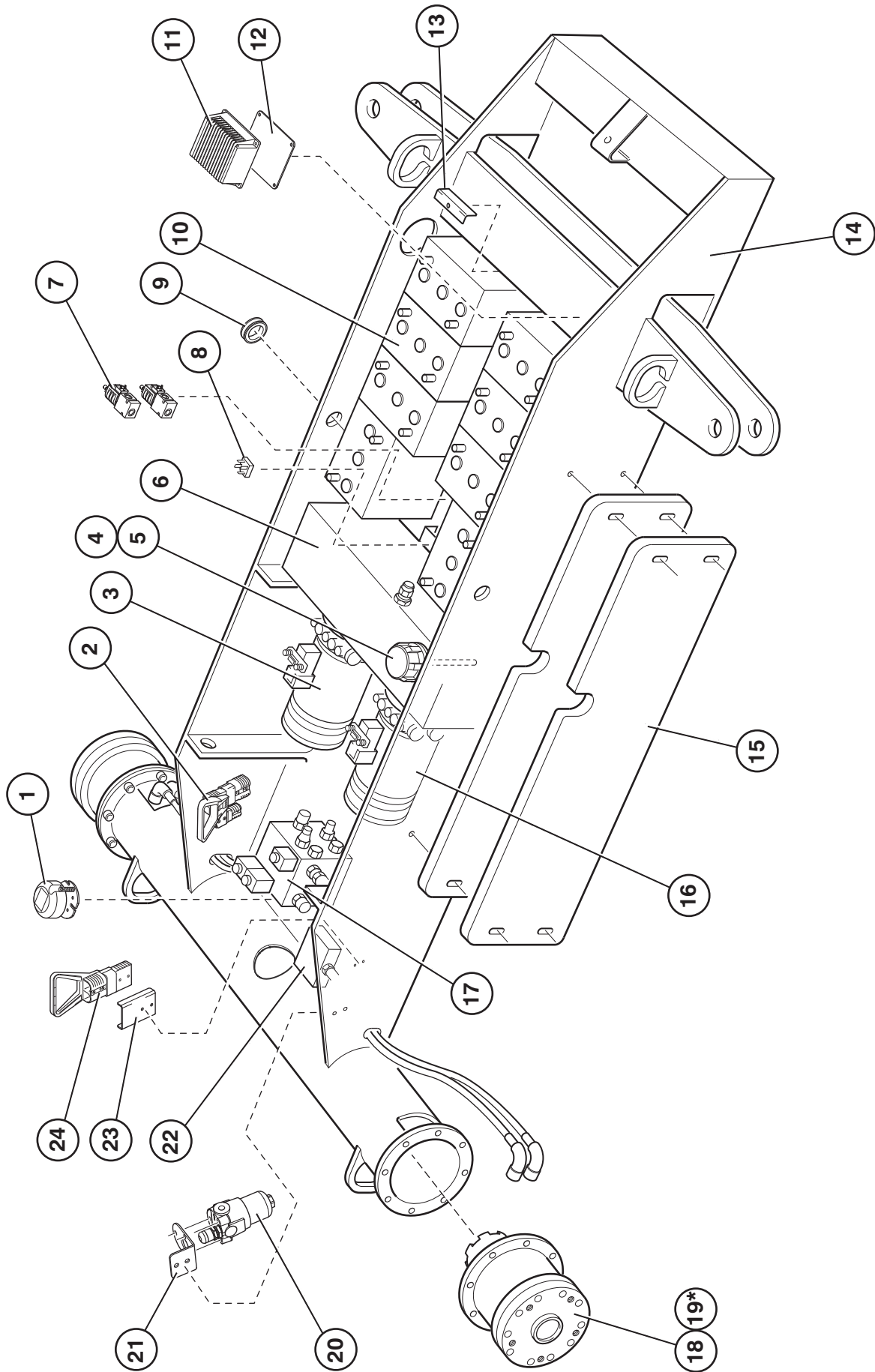
Figure 1.1 Base assembly

1.2 Base assembly - Electric

Item Description Part Number

1	Tilt sensor				P27665
2	Anderson connectors See "Anderson connector" on page 1-24.				N/A
3	Power pack LH See "Power pack" on page 1-14.				P25868
4	Filler cap and filter				P10136
5	Dipstick				P11643
6	Hydraulic oil tank				P16288
7	Dump valve Coil				P26939 P27695
8	Bridge rectifier				P15763
9	Grommet				P11283
10	Battery - 6v				P10829
11	Voltage converter				P27874
12	Bracket for item 11				P27938
13	Battery clamp Battery clamp - 400mm*				P14452 P14451
14	Base HR12 HR12N				P20020 P20019
15	Ballast weight (40mm) * (30mm) USA				P27650 P28088
16	Power pack RH See "Power pack" on page 1-14.				P25869
17	Drive control valve - See "Drive control valve" on page 1-16.				P19617
18	Gearbox				P15698
19 *	Seal kit for item 18				P18126
20	Pressure filter Element * 6 micron Condition indicator				P28561 P28924 P24945
21	Mounting bracket				P26326
22	Terminal box assy Fuse - 3.15A * Blade fuse - 5A * Button - White *				P27890 P27710 P27875 P25210
23	Guide bracket				P24713
24	Connector Handle				P17083 P17084

* Not illustrated



french
german
spanish

chassis assembly

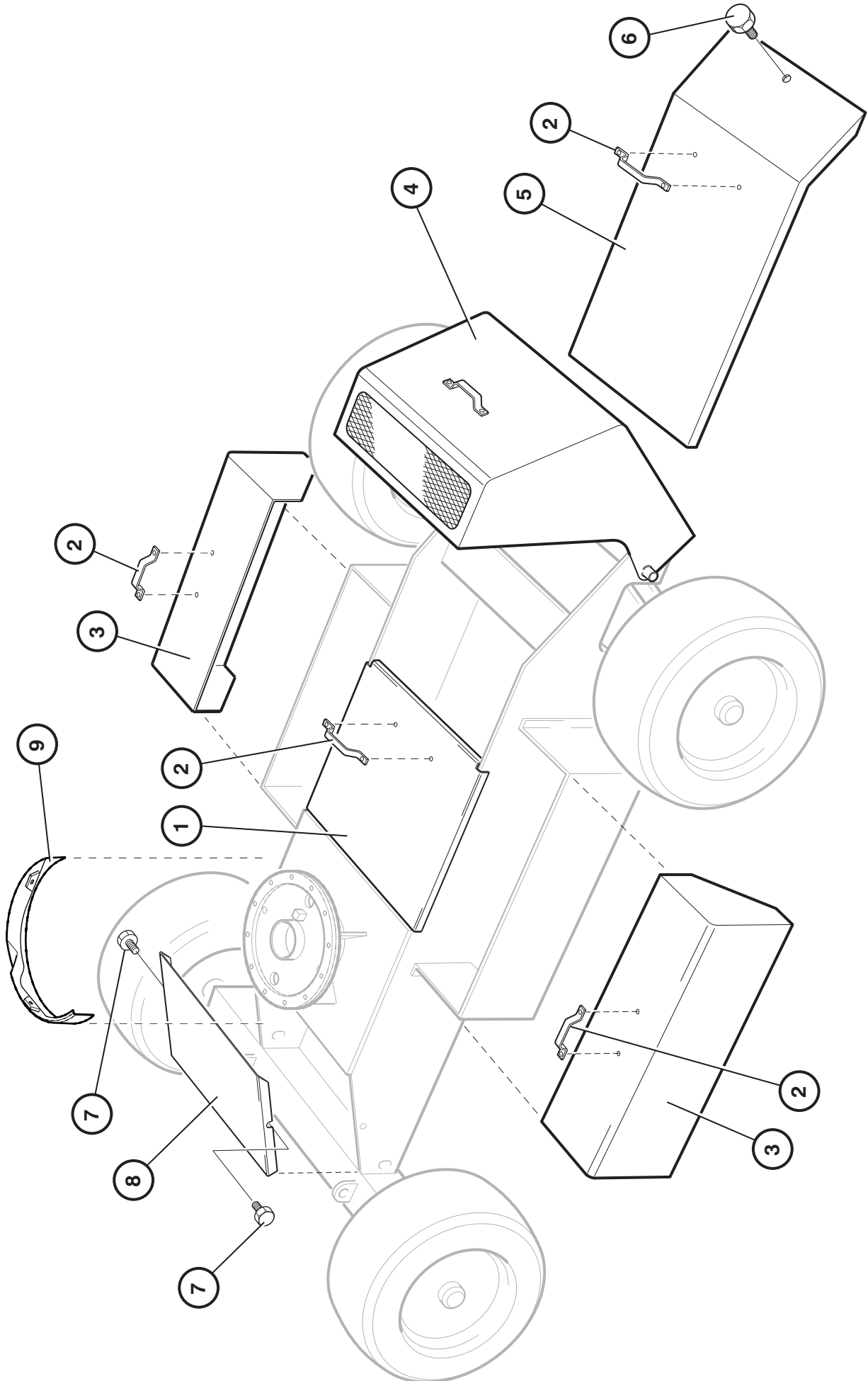
Figure 1.2 Base assembly - DC

1.3 Bonnets/Covers/Guards

Item	Description				Part Number
1	Middle bonnet - All models				P12241
2	Handle				P10241
3	Battery cover				P10822
4	Front bonnet - HR12 Narrow DE				P12237
	HR12 Wide				P18000
5	Front bonnet - HR12 DC				P24011
6	Knob (M12 x 25)				P10276
7	Knob (M10 x 20)				P14482
8	Rear bonnet - All models				P15359
9	Slew guard				P20084

french
german
spanish

chassis assembly



french
german
spanish

chassis assembly

Figure 1.3 Bonnets/covers and guards

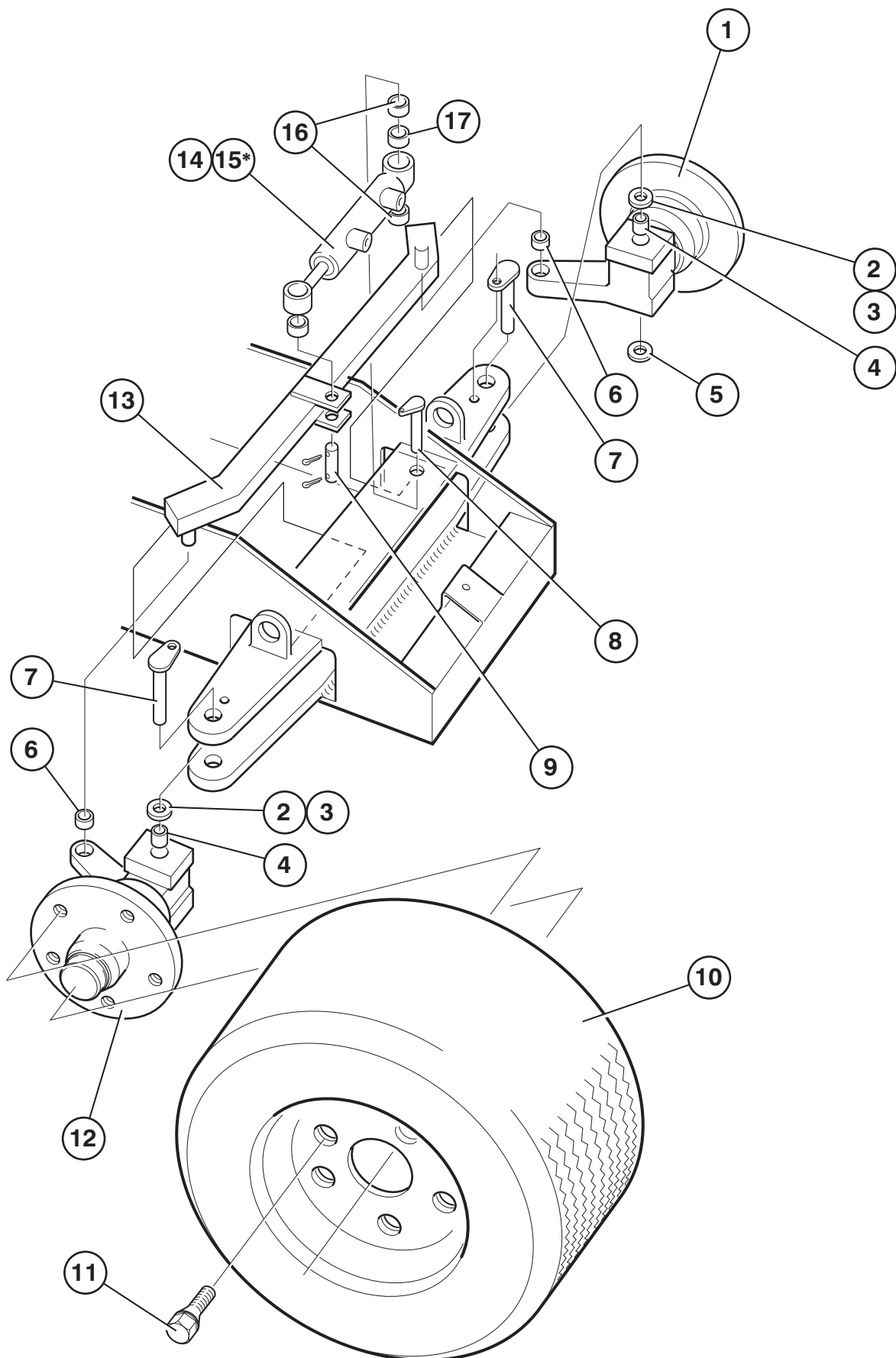
1.4 Steering assembly

Item	Description	Part Number
1	Hub assembly LH See "Front hub assembly" on page 1-12.	P15361
2	Nitrotech washer	P12731
3	Bearing washer	P12732
4	Bush DU253230	P12421
5	Plastic washer	P10035
6	Bush DU1825	P11798
7	King pin	P10128
8	Steer pin	P11330
9	Steer pin	P11331
10	Wheel and tyre (Foam filled) HR12 Standard HR12 Non-marking	P11685 P21582
11	Wheel bolt (86Nm Torque)	P22001
12	Hub assembly RH See "Front hub assembly" on page 1-12.	P15362
13	Track Rod - HR12 Narrow HR12 Wide	P11309 P11342
14	Steer cylinder	P11313
15 *	Seal kit for item 14	P12499
16	Spacer	P11800
17	Bush DU1820	P11366

* Not illustrated

french
german
spanish

chassis assembly



french
german
spanish

chassis assembly

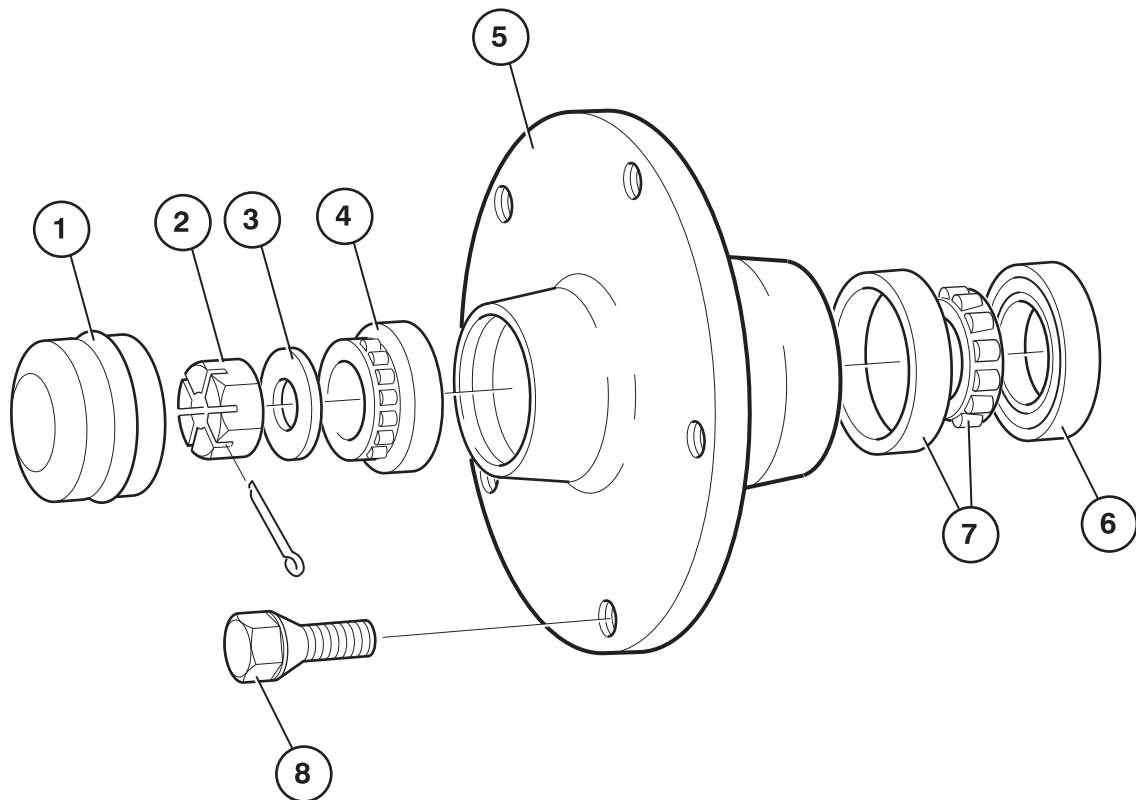
Figure 1.4 Steering assembly

1.5 Front hub assembly

Item	Description				Part Number
1	Grease cap				P15450
2	Hub nut				P15452
3	Hub washer				P15451
4	Outer bearing				P15449
5	Hub				P18938
6	Oil seal				P15447
7	Inner bearing				P15448
8	Wheel bolt (86 Nm)				P22001

french
german
spanish

chassis assembly



french
german
spanish

chassis assembly

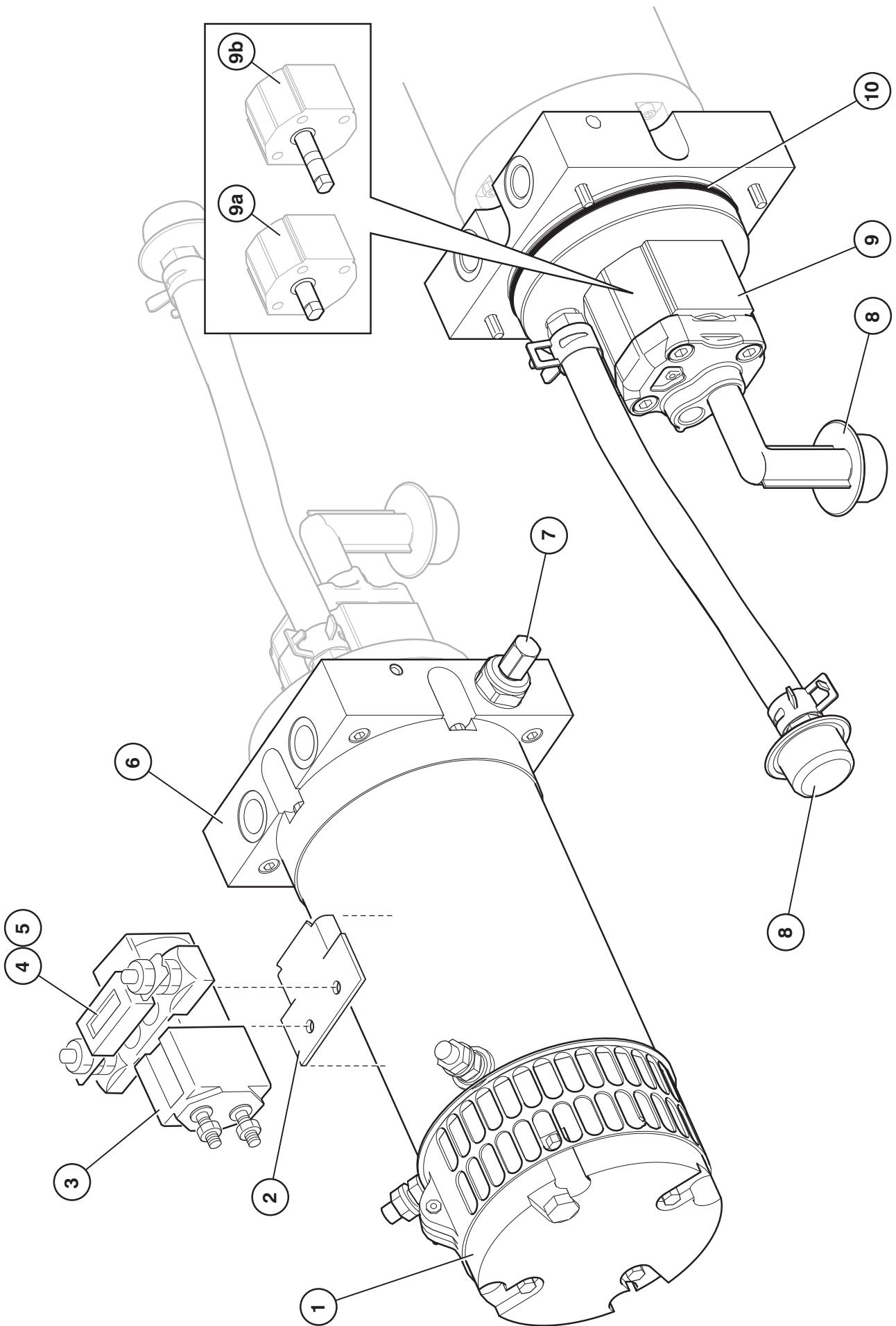
Figure 1.5 Front hub assembly

1.6 Power pack

Item	Description				Part Number
	Power pack assembly 1.2cc 2.2cc				P25868 P25869
1	Motor				P28443
2	Contacteur plate				P16315
3	Contact solenoid - 12v (Bi-energy) 24v (DC only)				P11877 P12922
4	Fuse - 225A				P11977
5	Fuse holder				P24708
6	Flange - Motor				P28444
7	Relief valve kit				P28448
8	Filter				P28447
9	Pump - 1.2cc (a) (b) 2.2cc (a) (b)				P28445 P31868 P28446 P31839
10	O-ring				P28449

french
german
spanish

chassis assembly



french
german
spanish

chassis assembly

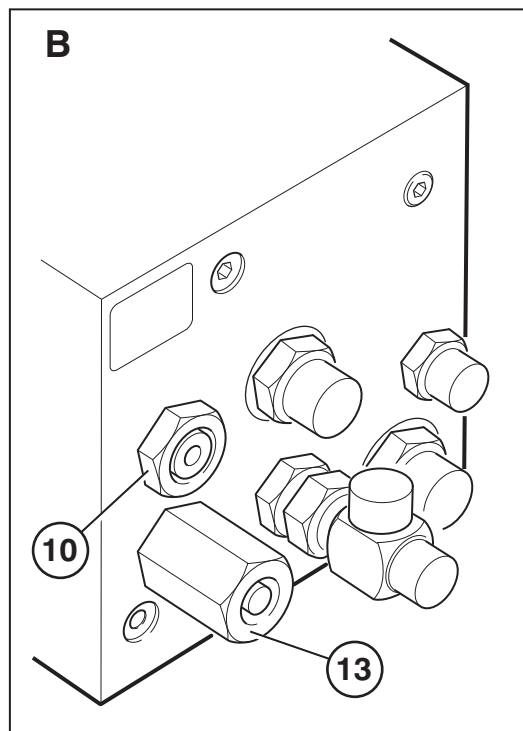
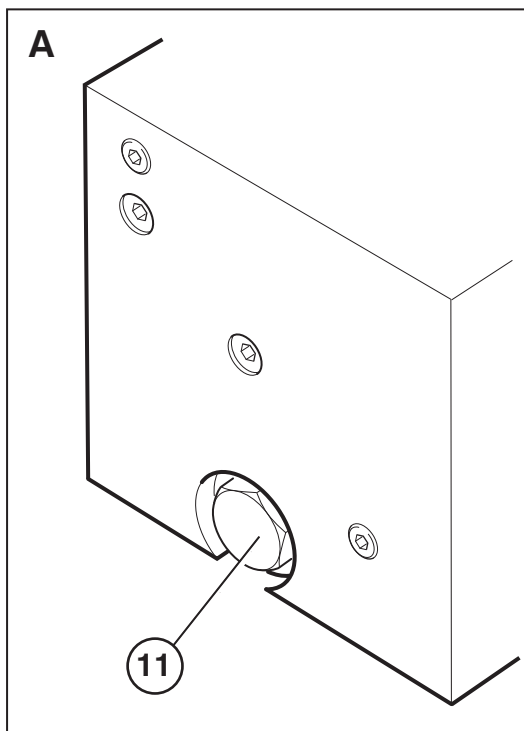
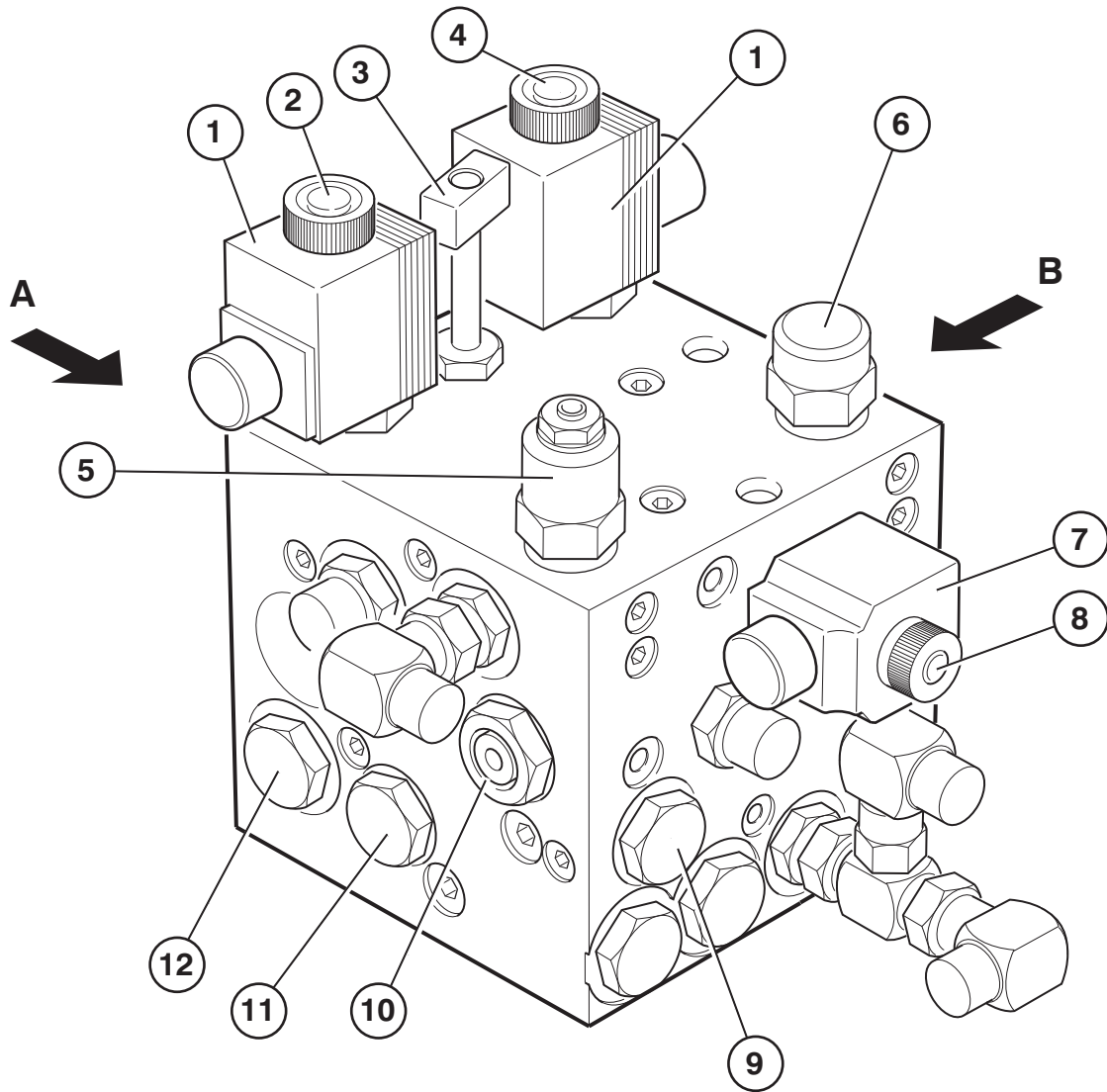
Figure 1.6 Power pack

1.7 Drive control valve

Item	Description				Part Number
	Complete assembly				P19617
1	Coil - Diverter solenoid				P19397
2	Diverter solenoid CT5				P15704
3	Brake release valve CT7				P15705
4	Diverter solenoid CT1				P15704
5	Overcentre valve CT8				P15706
6	Overcentre valve CT9				P19622
7	Coil - 12v brake solenoid 24v brake solenoid				P19410 P15307
8	Brake solenoid CT13				P16775
9	Check valve CT21				P12810
10	Check cartridge CT10 & CT11				P15707
11	Check valve CT17 & CT18				P15709
12	Flow divider CT3				P16776
13	Indicator valve CT20				P16777

french
german
spanish

chassis assembly



french
german
spanish

chassis assembly

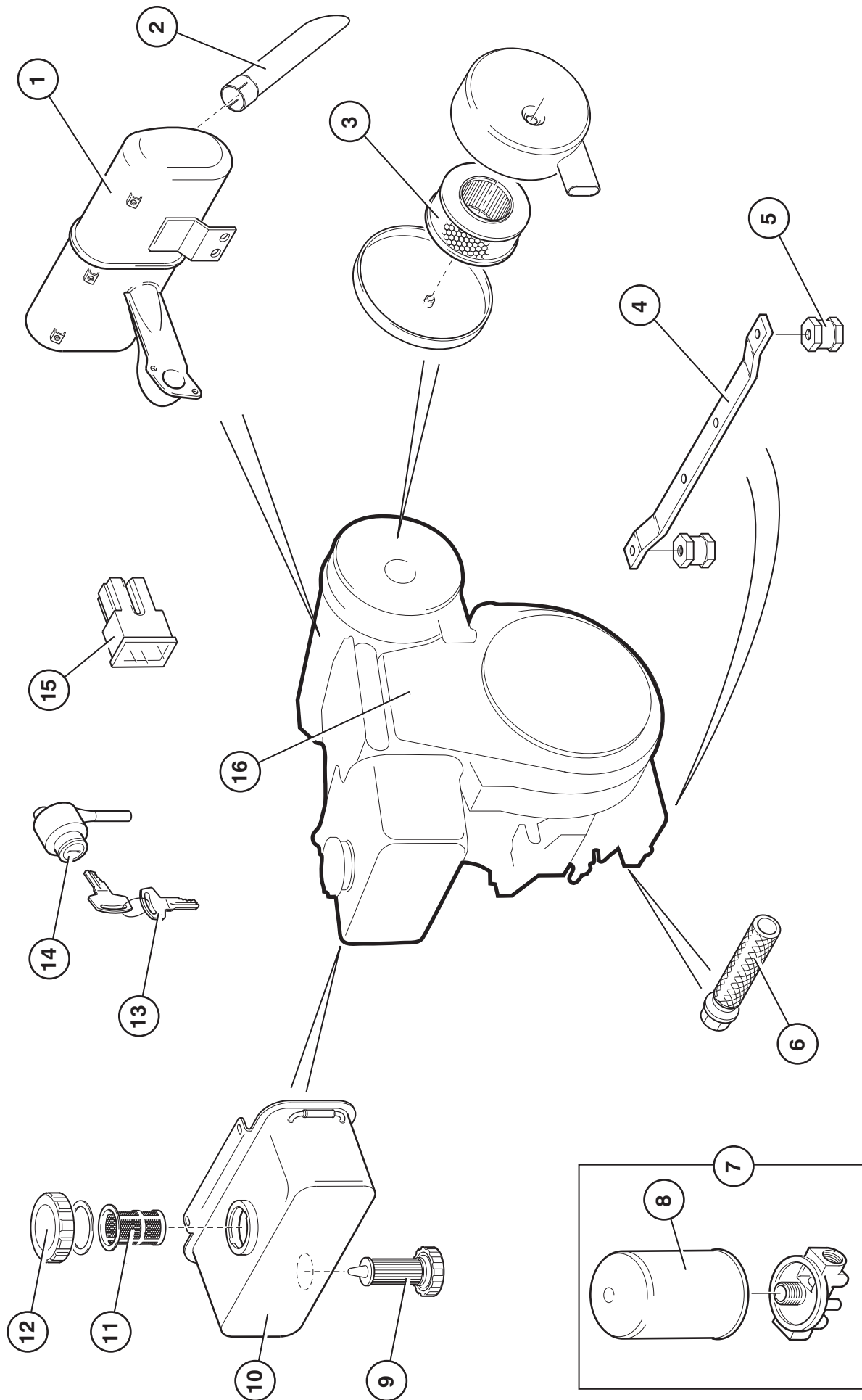
Figure 1.7 Drive control valve

1.8 Diesel engine (Part 1)

Item	Description				Part Number
1	Muffler assembly - OC60 OC95				P13687
					P13688
2	Exhaust pipe				P12243
3	Air filter - OC60 OC95				P11647
					P12303
4	Engine mount bracket - OC60 OC95				P12808
					P12239
5	Engine mount - rubber				P12238
6	Gauze oil filter				P13335
7	Oil filter and bowl assembly				P10137
8	Cartridge - hydraulic oil filter				P10766
9	Fuel filter - OC60 OC95				P13336
					P13334
10	Fuel tank assembly OC60 OC95				P15415
					P13881
11	Gauze fuel filter				P13284
12	Filler cap				P15505
13	Starter key (Pair)				P11646
14	Starter switch assembly				P12763
15	Fuse				P14197
16	Diesel engine - OC60 OC95				P20623
					P20624

french
german
spanish

chassis assembly



french
german
spanish

chassis assembly

Figure 1.8 Diesel engine (1)

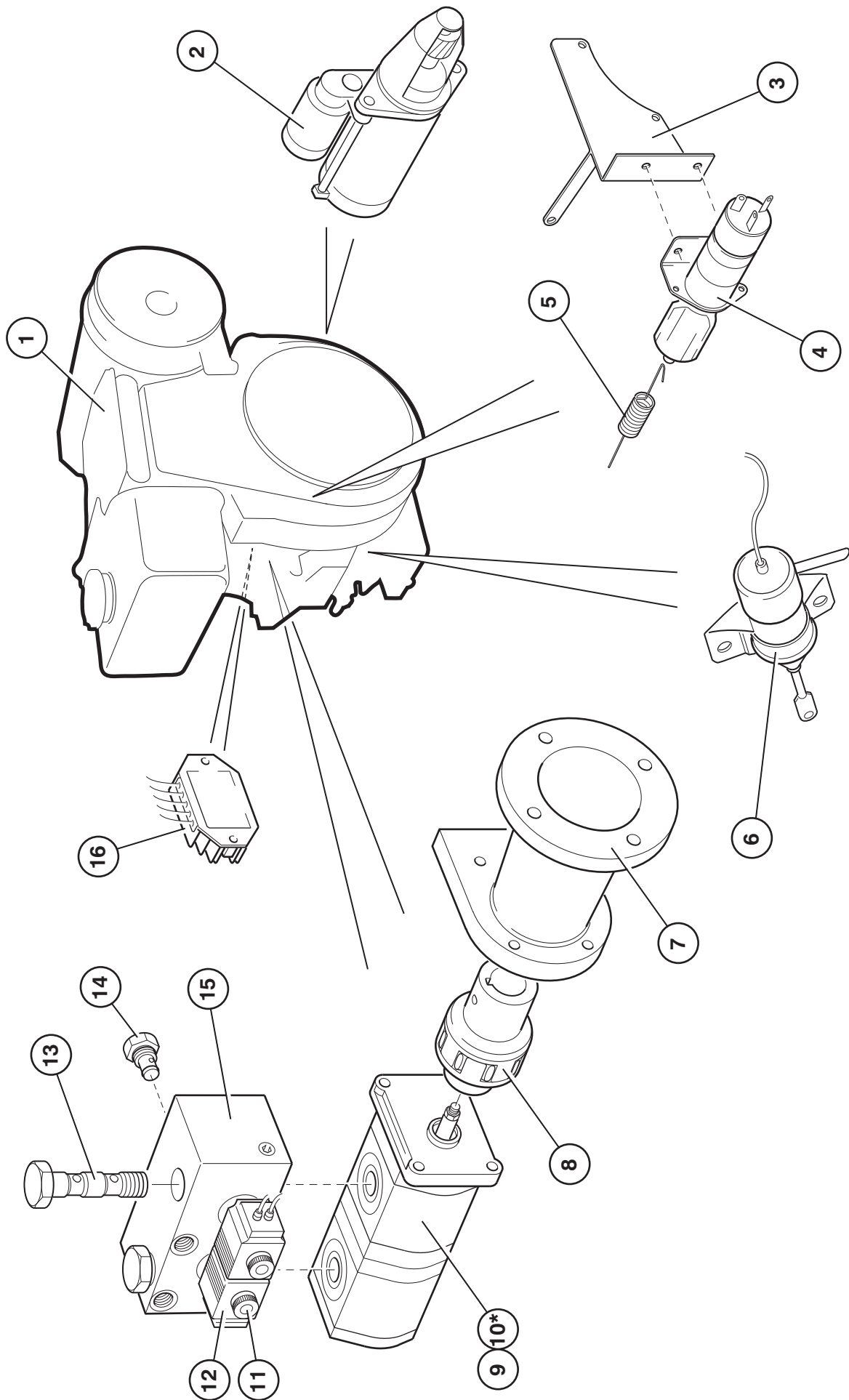
1.9 Diesel engine (Part 2)

Item	Description				Part Number
1	Diesel engine - OC60 OC95				P20623
					P20624
2	Starter motor assy - OC60 OC95				P11981
					P13376
3	Bracket - Throttle (OC95 only)				P12220
4	Throttle solenoid				P12972
5	Spring				P11135
6	Stop solenoid				P70271
7	Bell housing				P11499
8	Coupling				P11500
9	Pump assembly - OC60 OC95				P11991
					P12468
10 *	Seal kit for item 9				P13367
11	Valve cartridge				P16775
12	Coil				P17947
13	Banjo bolt				P11948
14	Check valve				P17946
15	Manifold				P11943
16	Regulator				P12640

* Not illustrated

french
german
spanish

chassis assembly



french
german
spanish

chassis assembly

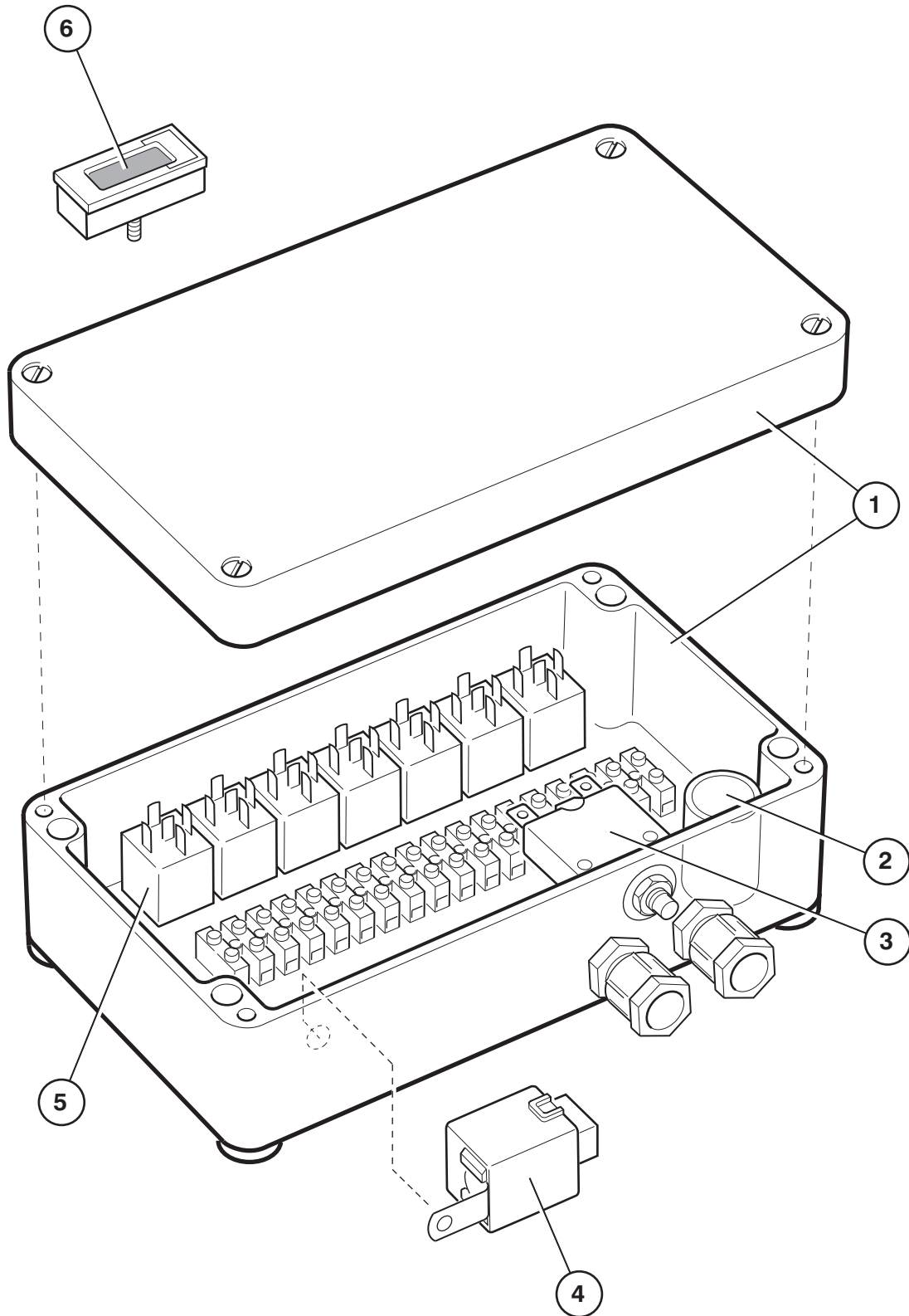
Figure 1.9 Diesel engine (2)

1.10 Diesel box

Item	Description				Part Number
	Complete assembly				P13627
1	ABS Box				P12861
2	Capacitor				P14270
3	Circuit breaker - 35A				P13529
4	Timer relay				P10664
5	Relay				P10340
6	Hour meter (OPTIONAL)				P11410

french
german
spanish

chassis assembly



french
german
spanish

chassis assembly

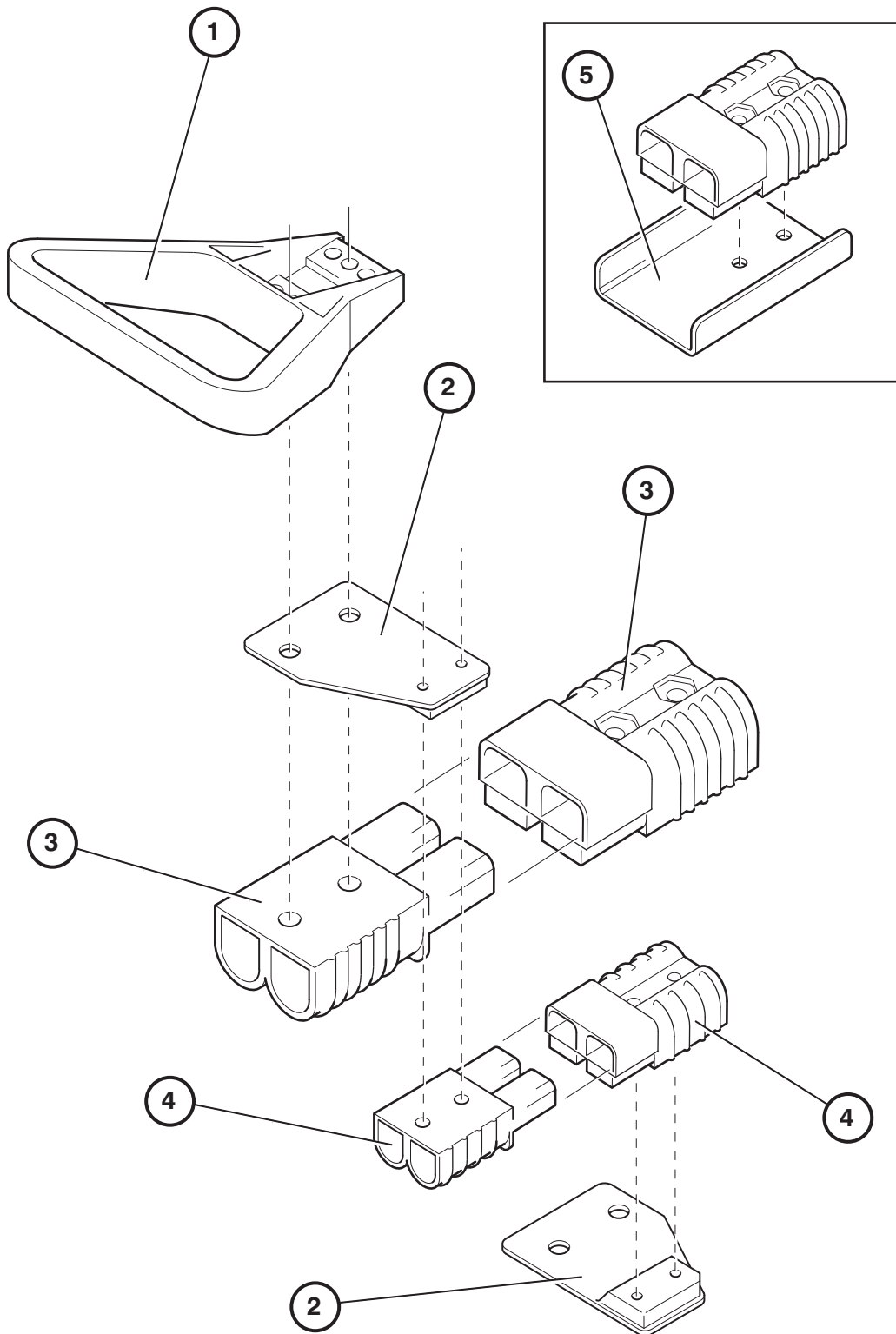
Figure 1.10 Diesel box

1.11 Anderson connector

Item	Description				Part Number
1	Handle				P17084
2	Mounting plate				P15271
3	Connector				P17083
4	Connector - 12v				P17085
5	Alignment guide				P24713

french
german
spanish

chassis assembly



french
german
spanish

chassis assembly

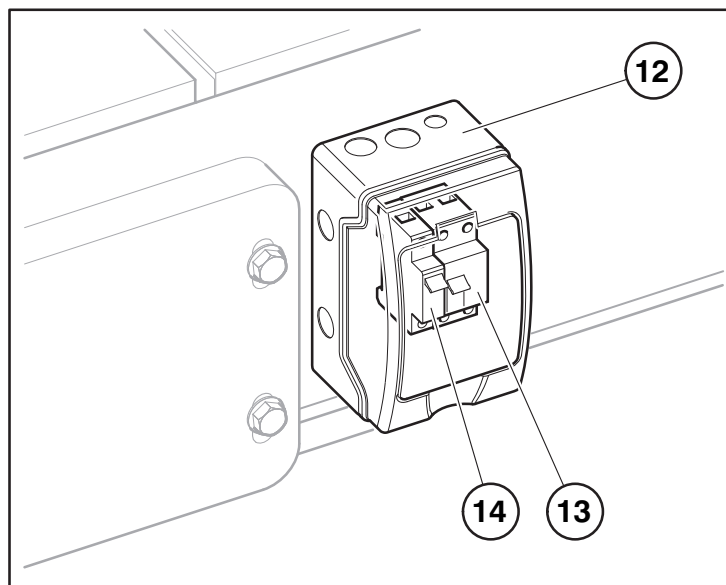
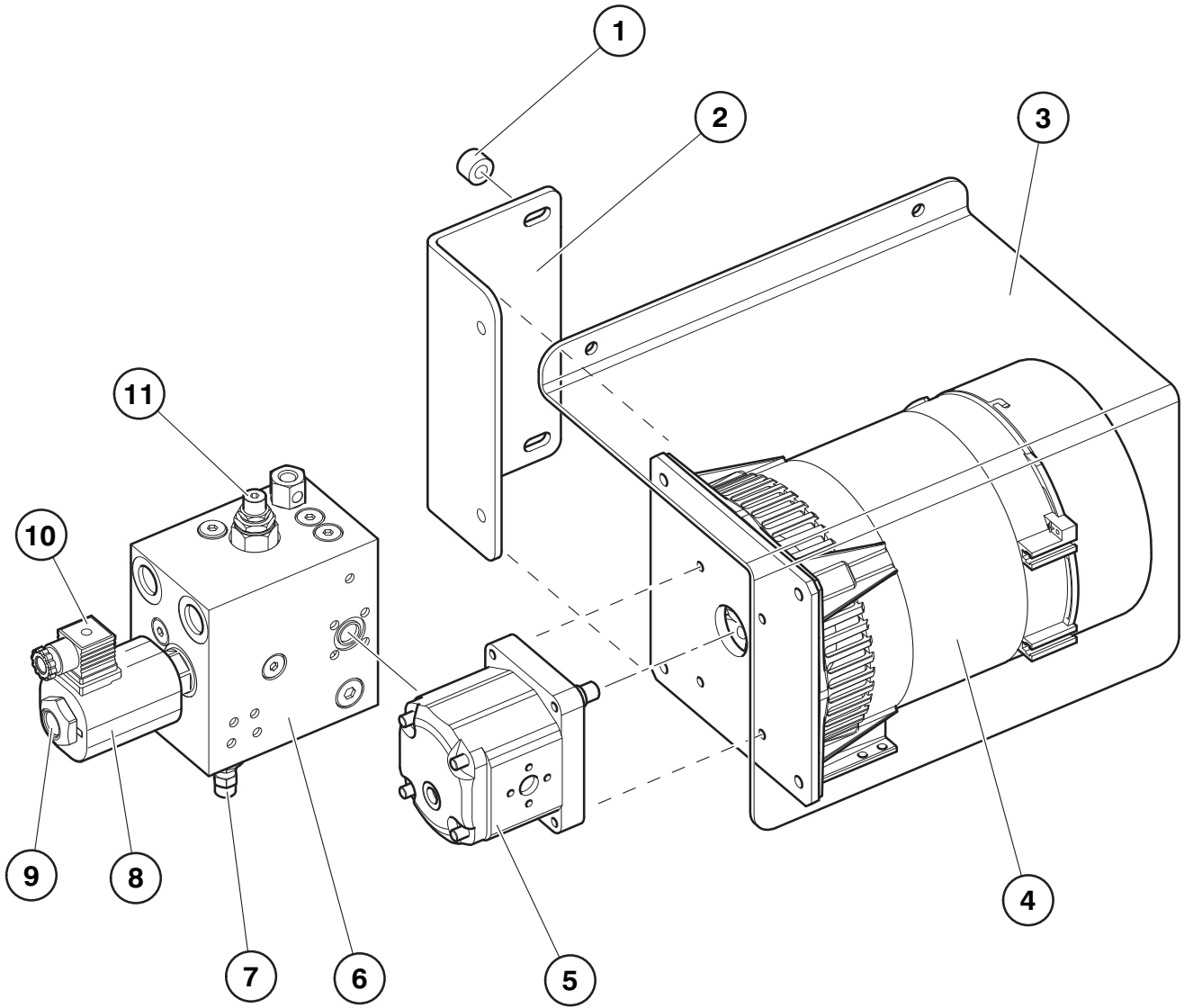
Figure 1.11 Anderson connector

1.12 Generator assembly (Option)

Item	Description				Part Number
	Complete assembly (Items 3 to 10)				P22711
1	Spacer				P11728
2	Mounting bracket				P27037
3	Cover				P29692
4	Generator - 3.5 kW				P27611
5	Pump				P27613
6	Valve block				P27612
7	Flow control valve				P27618
8	Coil				P27615
9	Solenoid valve				P27614
10	Connector plug				P27616
11	Pressure relief valve				P27617
12	Box				P25855
13	RCD - 110V 16A				P26252
14	MCB - 16A				P26250

french
german
spanish

chassis assembly



french
german
spanish

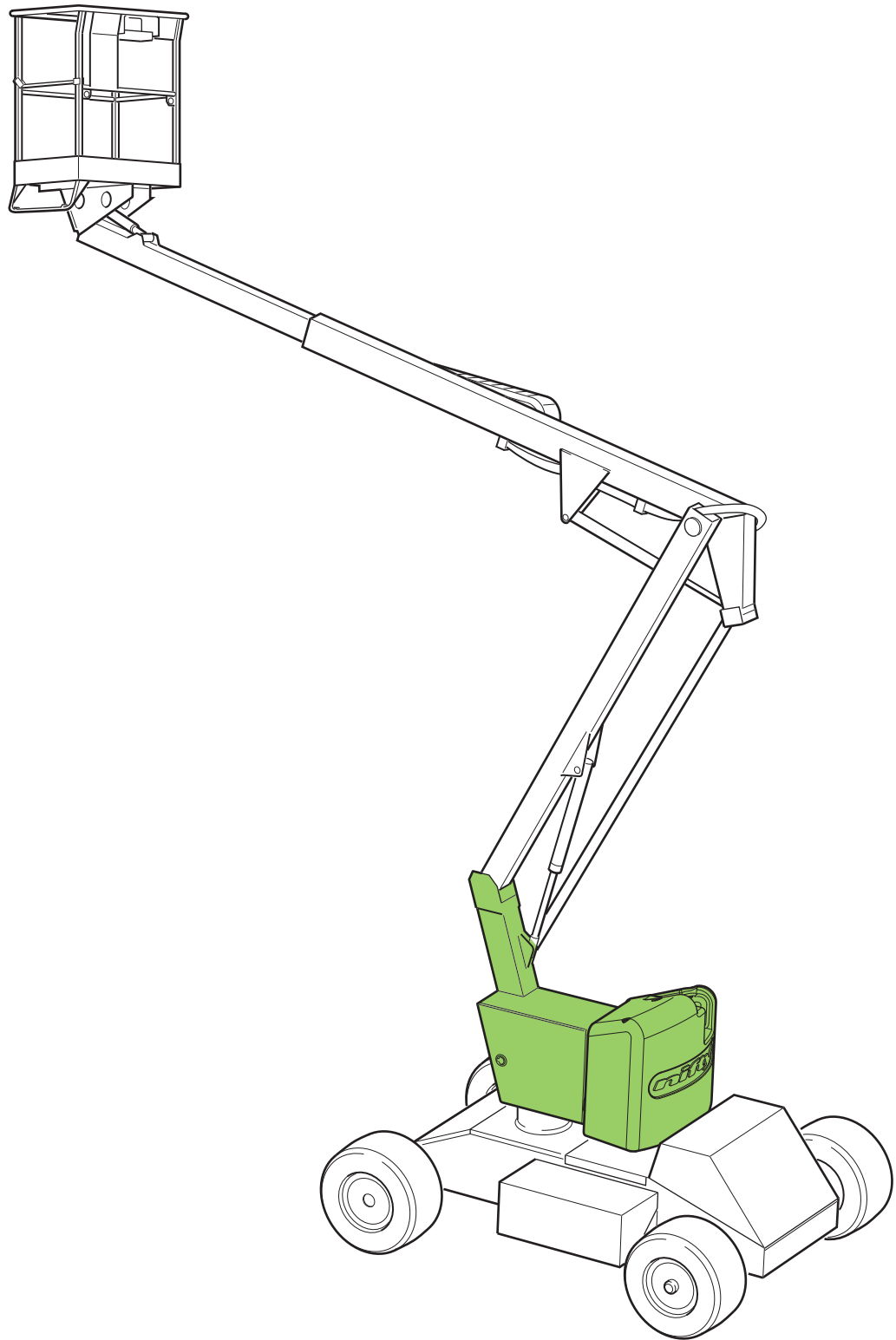
chassis assembly



nifty

HR12 (SP34)

illustrated parts manual
Manuel illustré de pièces détachées
Illustrierte Stückliste
Manual de piezas ilustrado



2



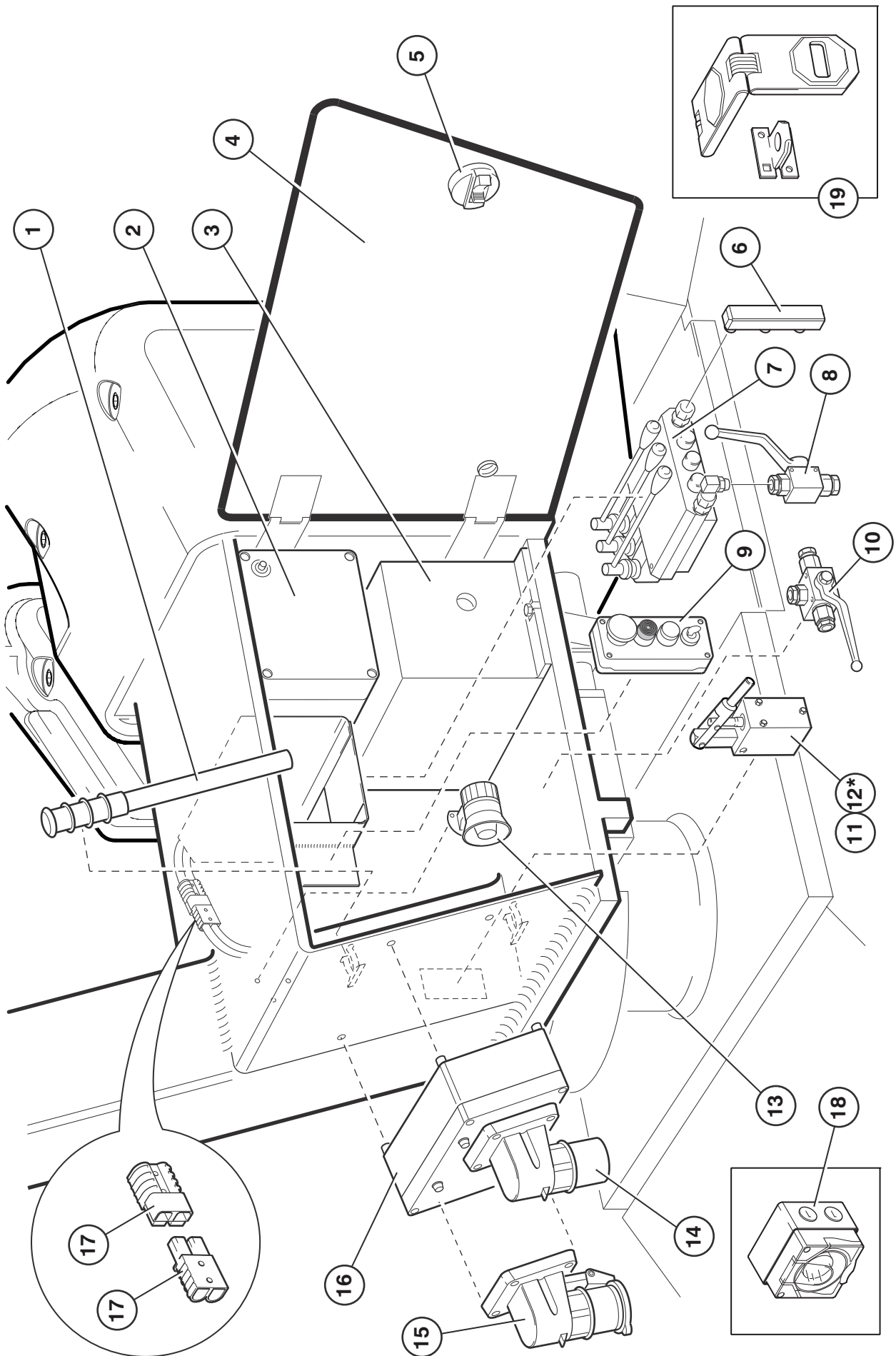
superstructure

french
german
spanish

2.1 Control station - Base

Item	Description				Part Number
1	Handle (Item 11)				P10624
2	Control box 12v 24v See "Control box" on page 2-12.				P17135 P17137
3	Battery Charger UK USA European See "Battery charger" on page 2-16.				P12759 P11751 P11067
4	Access cover				P20108
5	Door latch				P12397
6	Manifold				P24537
7	Control valve - See "Control valve assembly (3 spool)" on page 2-6. or "Control valve assembly (4 spool)" on page 2-8				P15514 P15518
8	Diverter valve (3/8") Lever ONLY				P10702 P14397
9	Button box - See "Button box assembly" on page 2-10.				N/A
10	Diverter valve (1/4") Lever ONLY				P16050 P28166
11	Manual hand pump				P22570
12 *	Seal kit for item 11				P22605
13	Siren				P11113
14	110v inlet ONLY				P23869
15	240v inlet ONLY				P23870
16	Dual voltage charger box - See "Dual voltage charger box" on page 2-14.				P10599
17	Anderson connector (12v)				P17085
18	Socket 110v/16A (Option)				P25082
19	Door hasp (Option)				P20836

* Not illustrated



french
german
spanish

superstructure

Figure 2.1 Control station - Base

2.2 Slew assembly

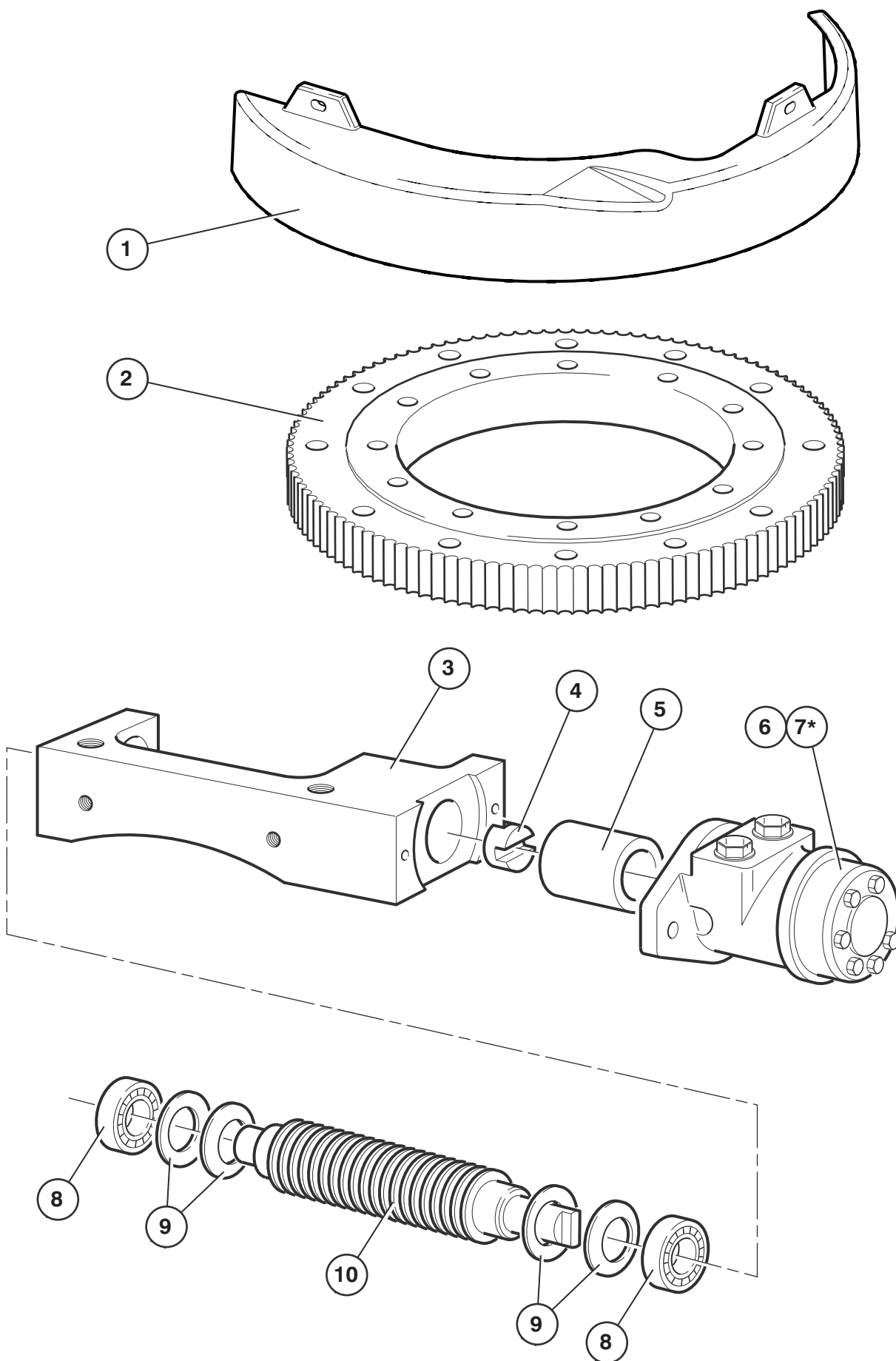
Item	Description				Part Number
	Complete assembly (Items 3 to 10)				P19498
1	Slew guard				P20084
2	Slew ring				P16817
3	Worm bracket				P12681
4	Coupling				P12145
5	Spacer				P12143
6	Motor				P14306
7 *	Seal kit for item 6				P13242
8	Bearing				P12703
9	Belleville washer				P12150
10	Worm gear				P14502

* Not illustrated

french
german
spanish

superstructure

2-4



french
german
spanish

superstructure

Figure 2.2 Slew assembly

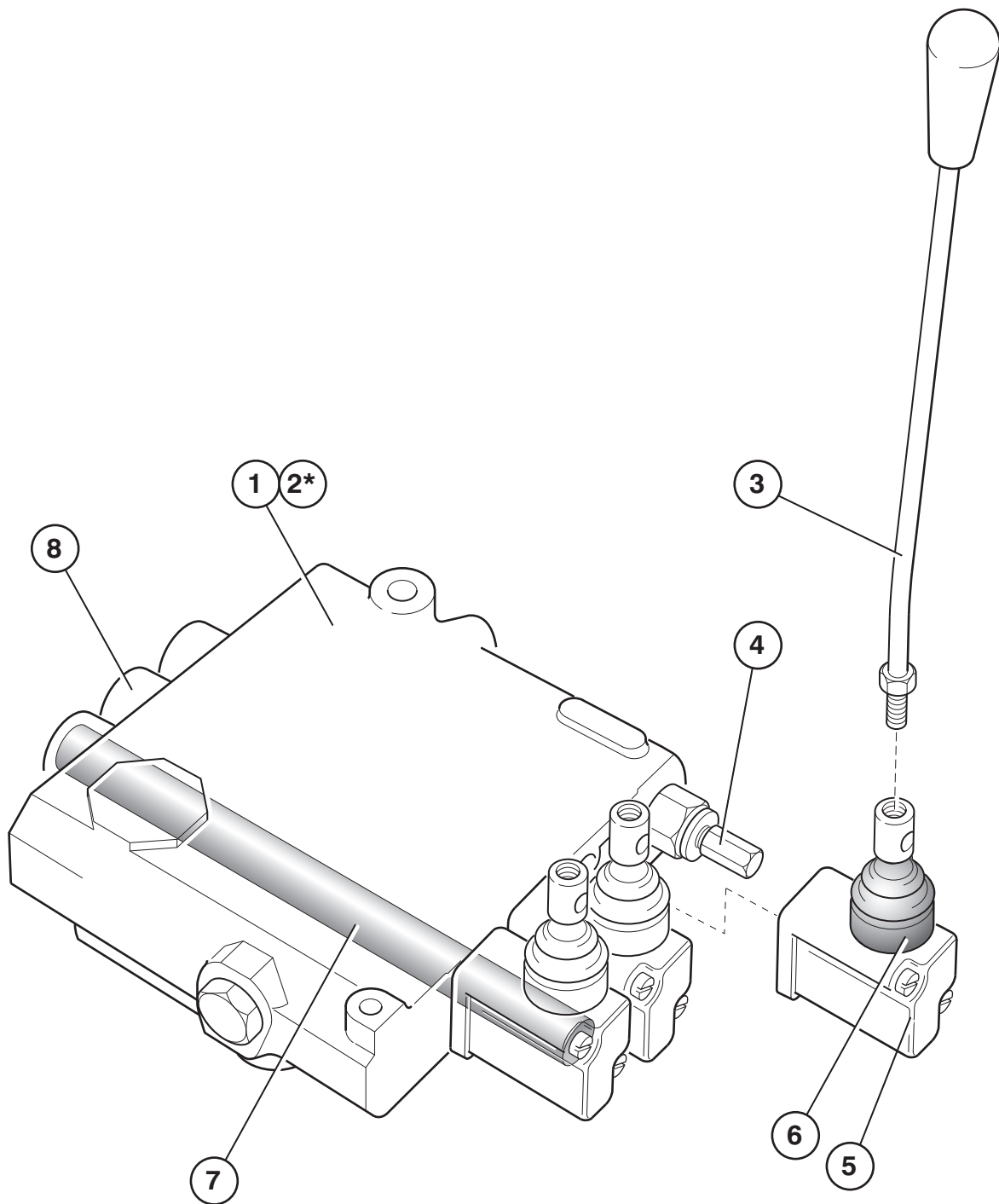
2.3 Control valve assembly (3 spool)

Item	Description				Part Number
1	Control valve - Gravity descent or double acting cylinders				P15514
	Non-gravity descent or single acting cylinders				P15515
2 *	Seal kit for item 1				P70337
3	Lever				P70336
4	Pressure relief valve				P70335
5	Lever cap (complete)				P70338
6	Rubber boot				P12225
7	Spool				P15510
	AS AST				P15511
8	Spool return spring assembly				P16234

* Not illustrated

french
german
spanish

superstructure



french
german
spanish

superstructure



Figure 2.3 Control valve (3 spool)

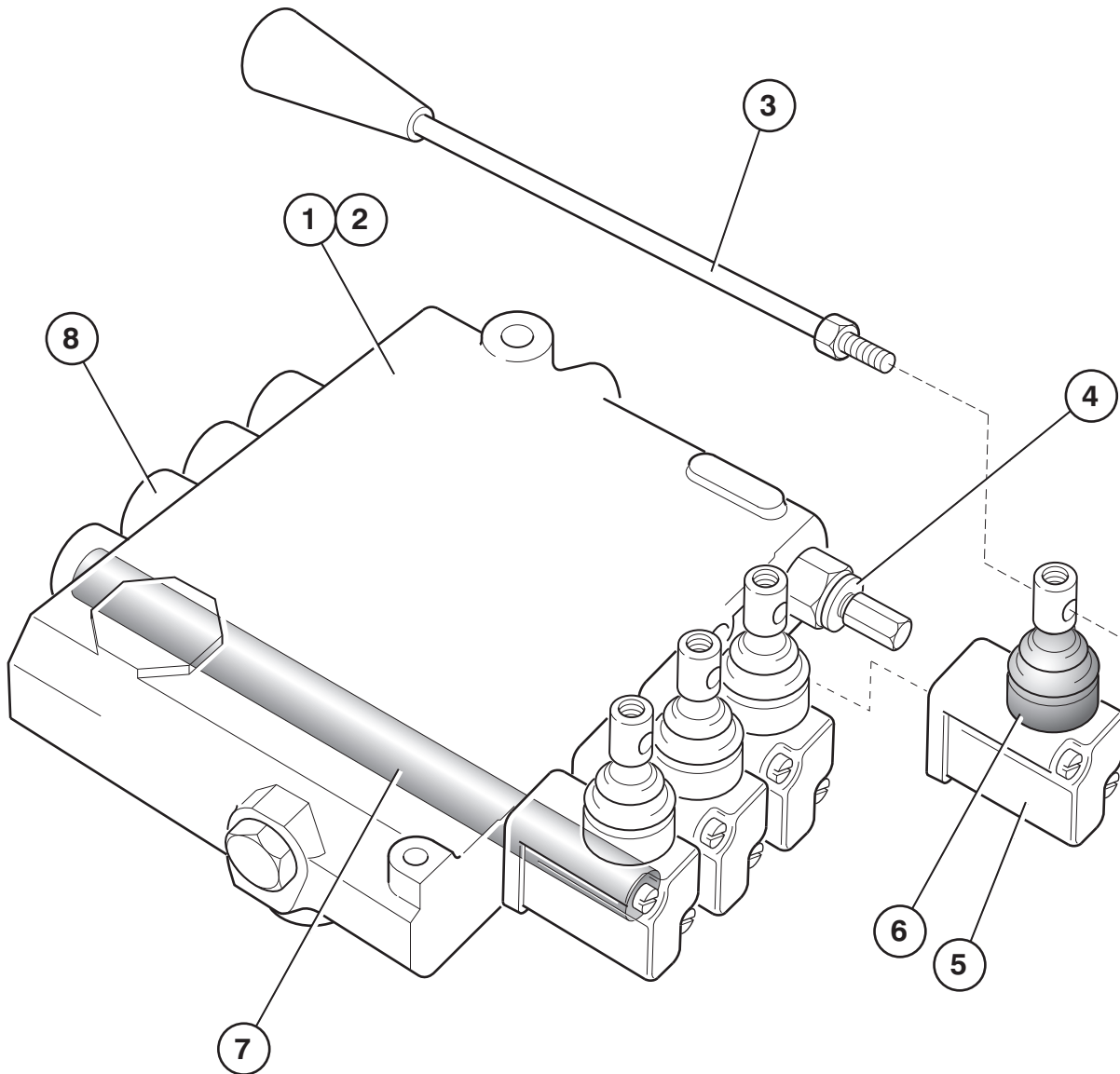
2.4 Control valve assembly (4 spool)

Item	Description				Part Number
1	Control valve				P15518
2 *	Seal kit for item 1				P70337
3	Lever				P70336
4	Pressure relief valve				P70335
5	Lever cap (complete)				P70338
6	Rubber boot				P12225
7	Spool AS AST				P15510 P15511
8	Spool return spring assembly				P16234

* Not illustrated

french
german
spanish

superstructure



french
german
spanish

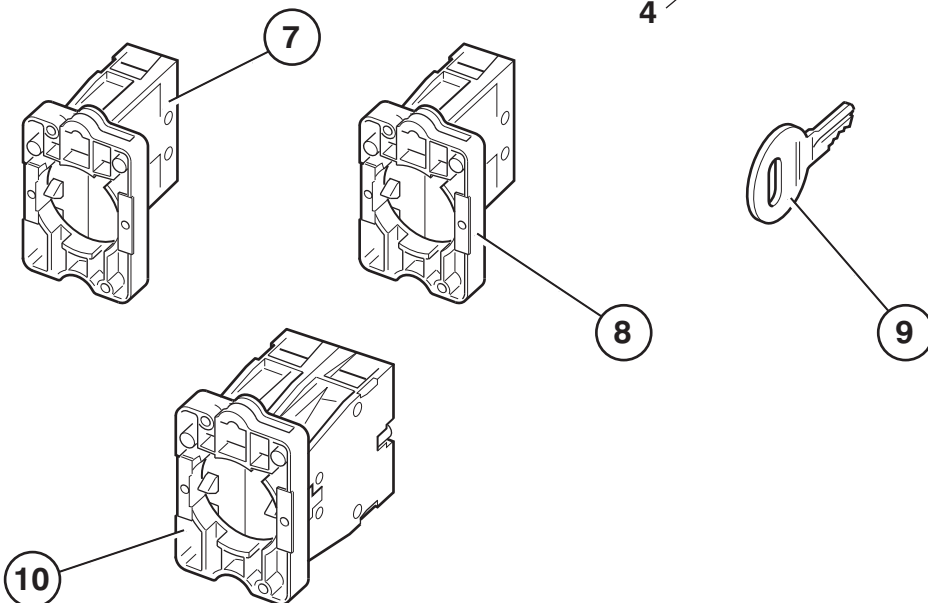
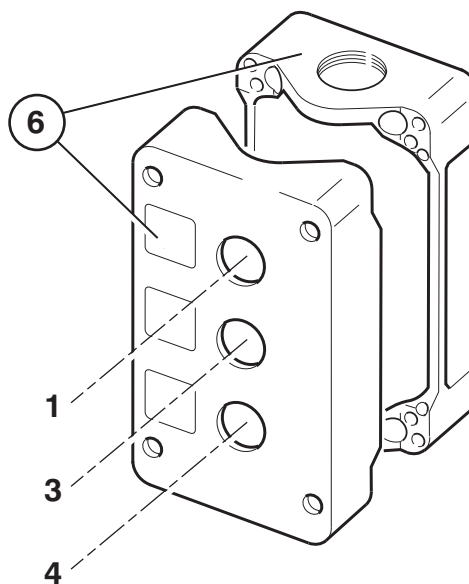
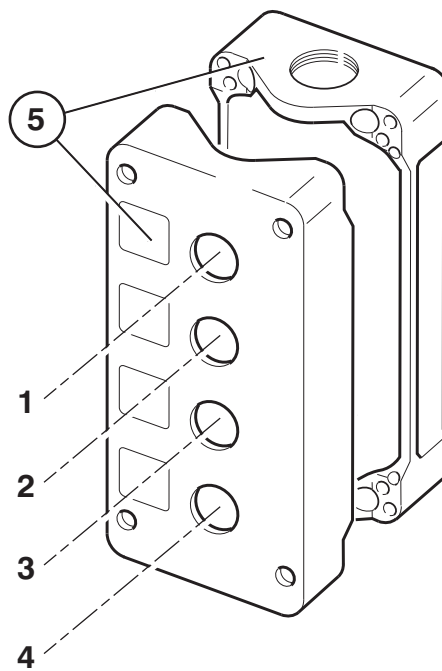
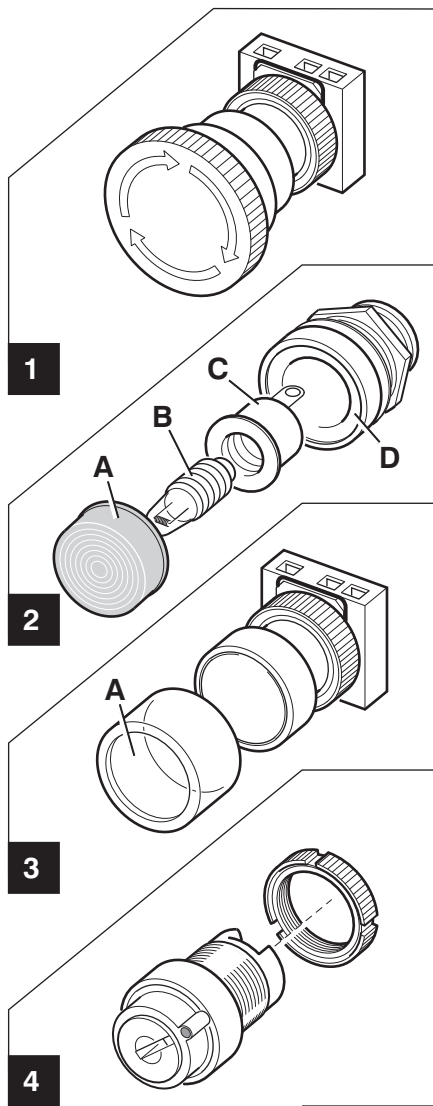
superstructure

2.5 Button box assembly

Item	Description				Part Number
1	E-Stop button USA Only				P10342 P21541
2	(A) Pilot light lens (B) Bulb (C) Lamp holder (D) Lamp housing				P11295 P11791 P11790 P14276
3	Green button (A) Rubber cover				P10075 P22414
4	Key switch - 455 key key locked in lower and upper position key removable in all positions				P10081 P10281
5	Button box - 4 hole				P22417
6	Button box - 3 hole				P22413
7	Contact - NC (Used with item 1)				P11839
8	Contact - NO (Used with item 3)				P11838
9	Key				P70187
10	Contact - Double NO (Used with item 4)				P11840

french
german
spanish

superstructure



french
german
spanish

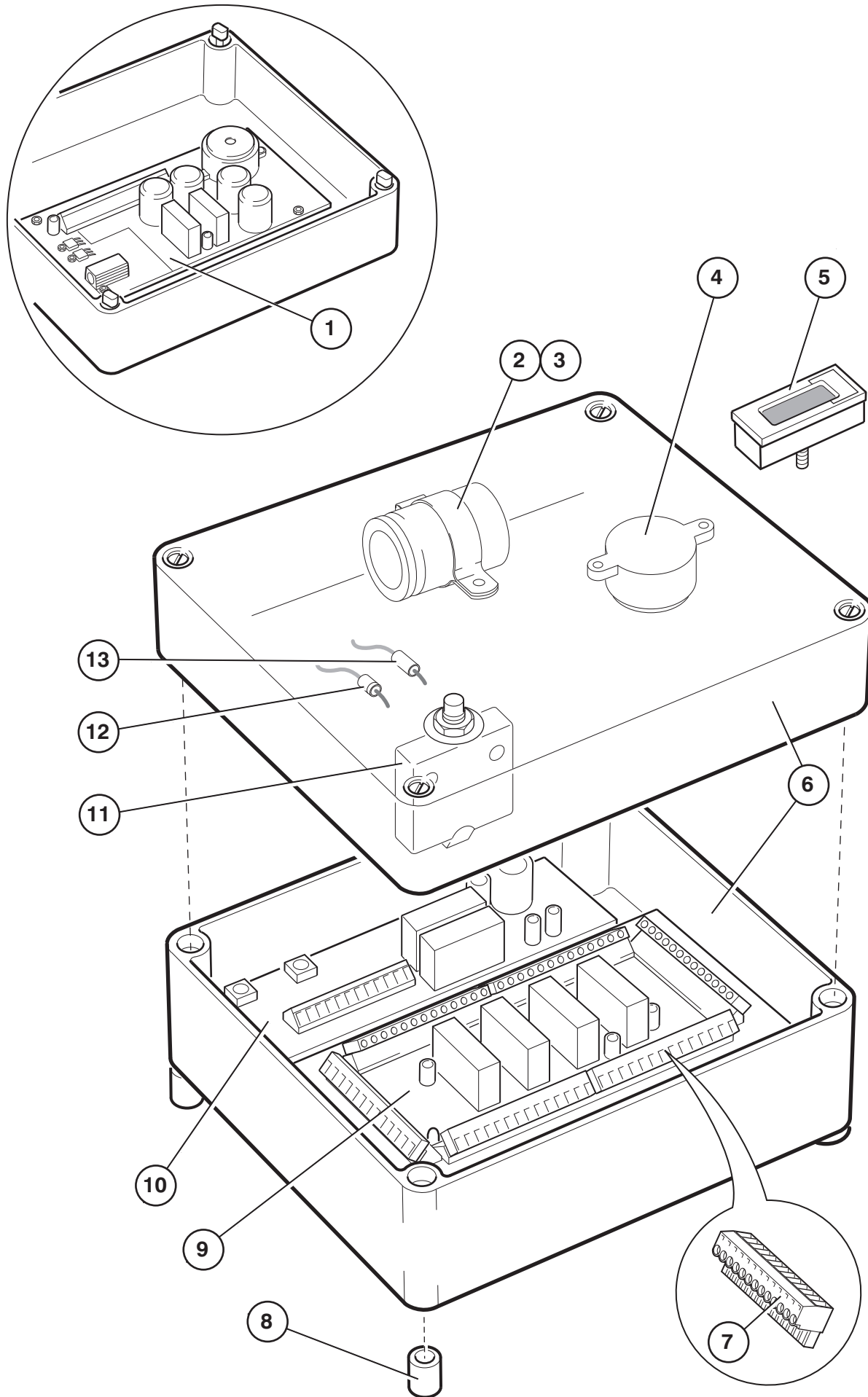
superstructure

2.6 Control box

Item	Description				Part Number
	Complete assembly 12v 24v USA/Aus Electric Diesel/Bi-energy				P17135 P17137 P16444 P16440
1	PCB - Pump (24v ONLY)				P14300
2	Capacitor (12v ONLY)				P15528
3	Clip				P15529
4	Sounder (12v ONLY)				P11112
5	Hour meter (OPTIONAL)				P11410
6	ABS box				P20368
7	Plug - 13-way				P12945
8	Nylon spacer				P11863
9	PCB - 12v 24v				P11175 P14297
10	PCB (Battery management) - 12v - 24v				P11174 P14298
11	Circuit breaker - 10A				P11719
12	Diode				P11179
13	Resistor (12v ONLY)				P11178

french
german
spanish

superstructure



french
german
spanish

superstructure



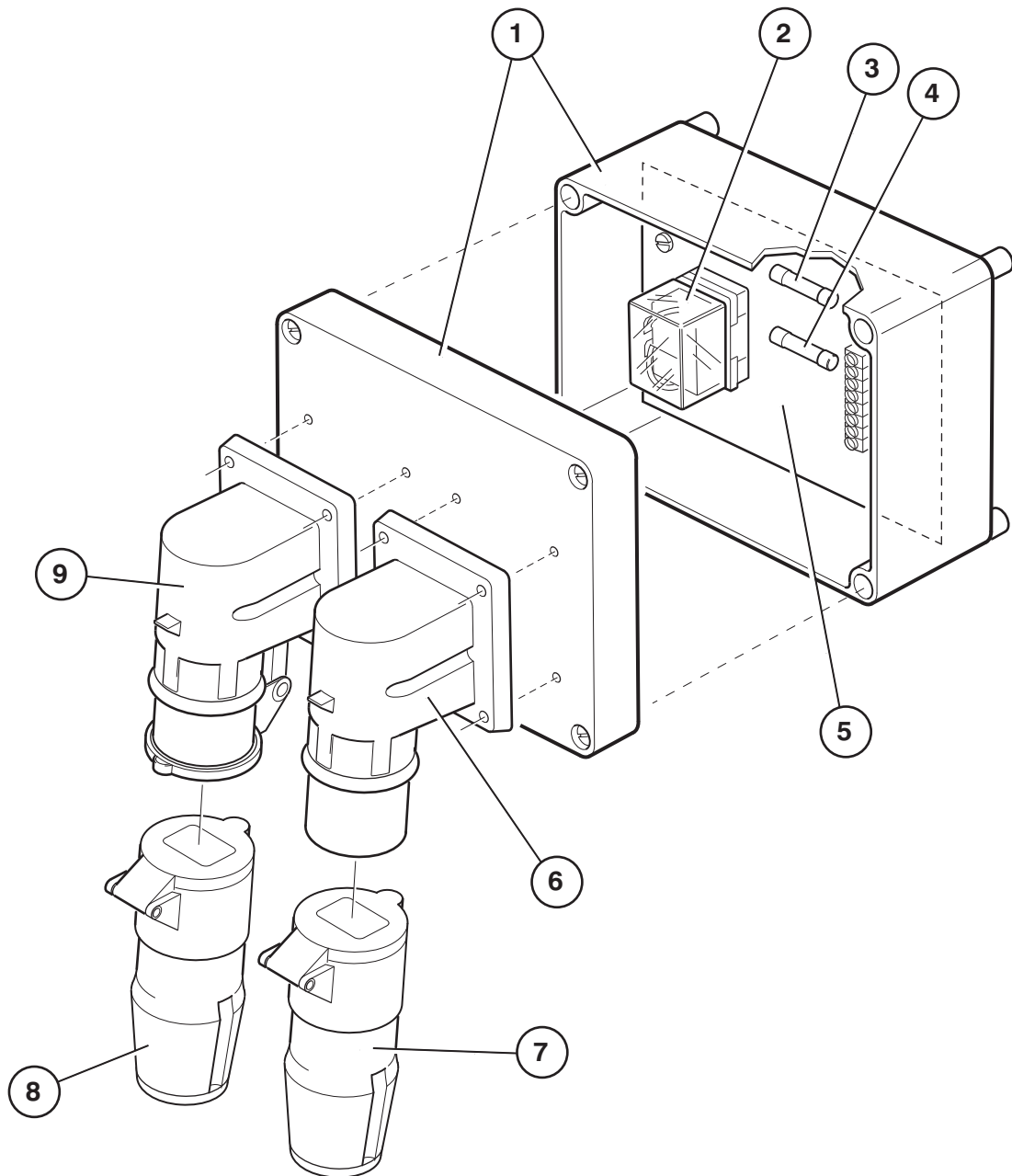
Figure 2.6 Control box

2.7 Dual voltage charger box

Item	Description				Part Number
	Complete assembly				P10599
1	Box ONLY				P20815
2	Relay				P12879
3	Fuse - 10A				P70176
4	Fuse - 20A				P11935
5	PCB				P13351
6	110v inlet ONLY				P20956
7	Plug - 110v				P10724
8	Plug - 240v				P10268
9	240v inlet ONLY				P20957

french
german
spanish

superstructure



french
german
spanish

superstructure

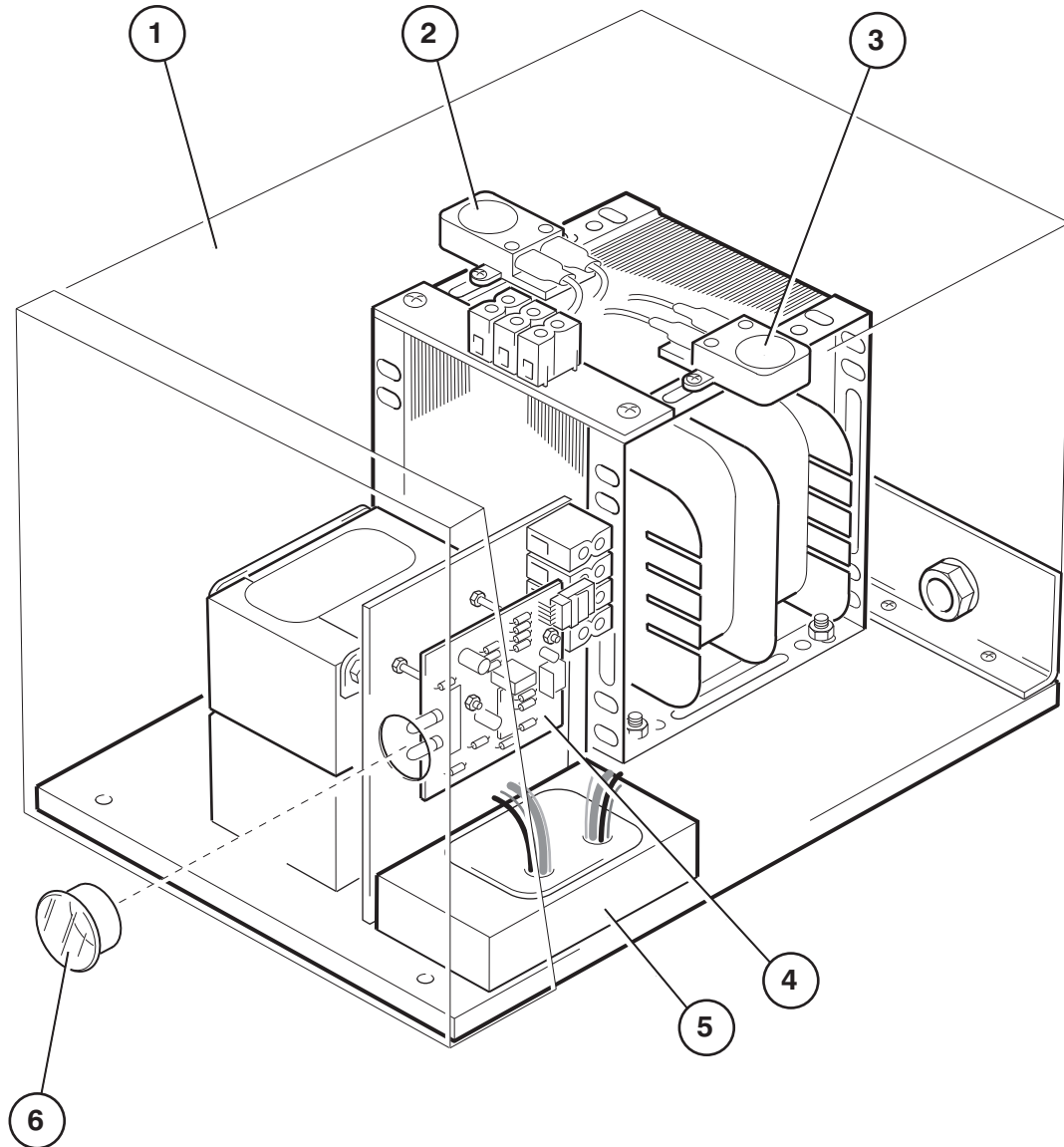
Figure 2.7 Dual voltage charger box

2.8 Battery charger

Item	Description				Part Number
1	Charger assy UK USA European				P12759 P11751 P11067
2	Thermal cut-out - 110v (UK only)				P15268
3	Thermal cut-out - 240v (Euro only)				P15269
4	PCB				P11371
5	Thyristor module				P14993
6	Lens				P11104

french
german
spanish

superstructure



french
german
spanish

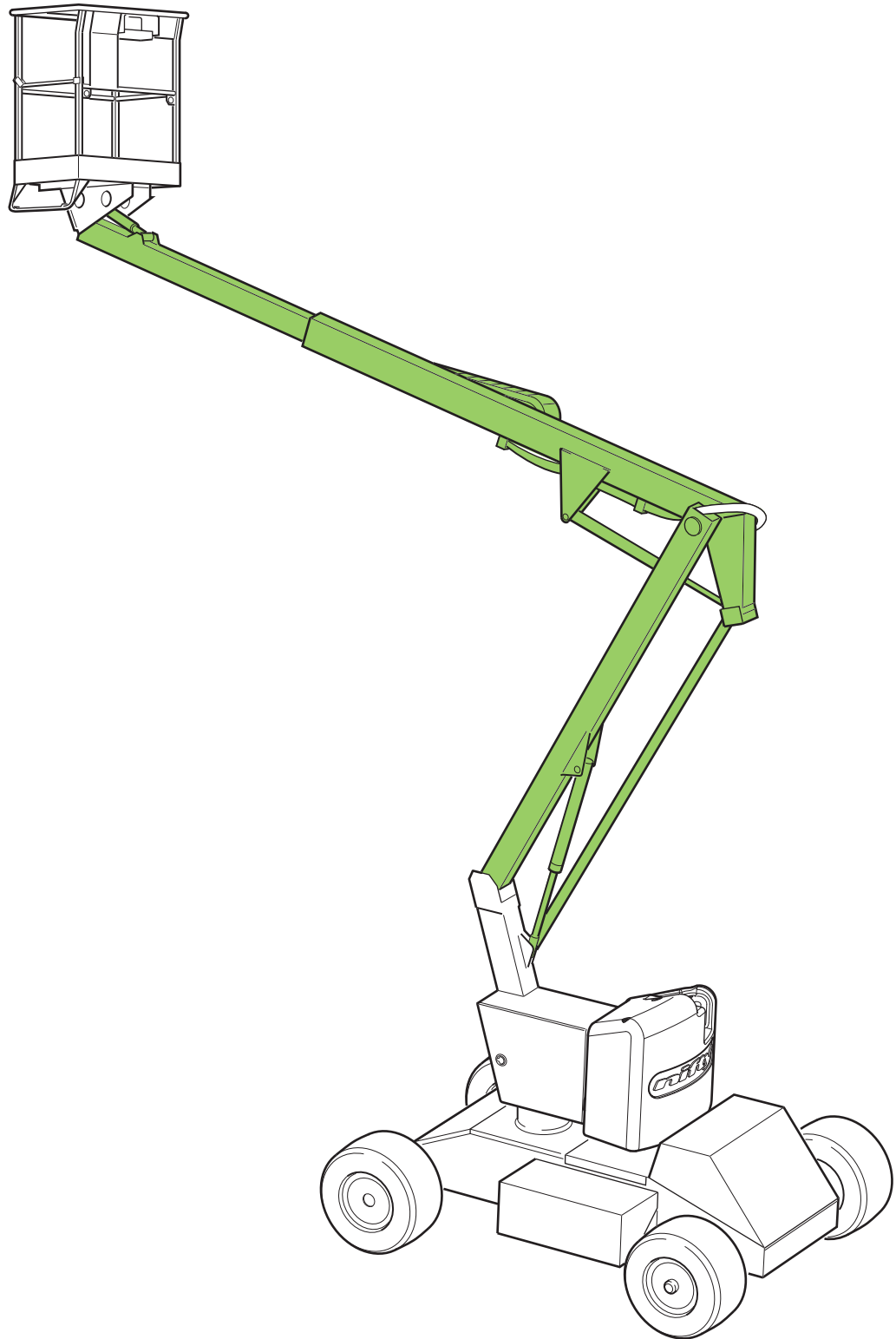
superstructure



nifty

HR12 (SP34)

illustrated parts manual
Manuel illustré de pièces détachées
Illustrierte Stückliste
Manual de piezas ilustrado



3

boom assemblies

french
german
spanish



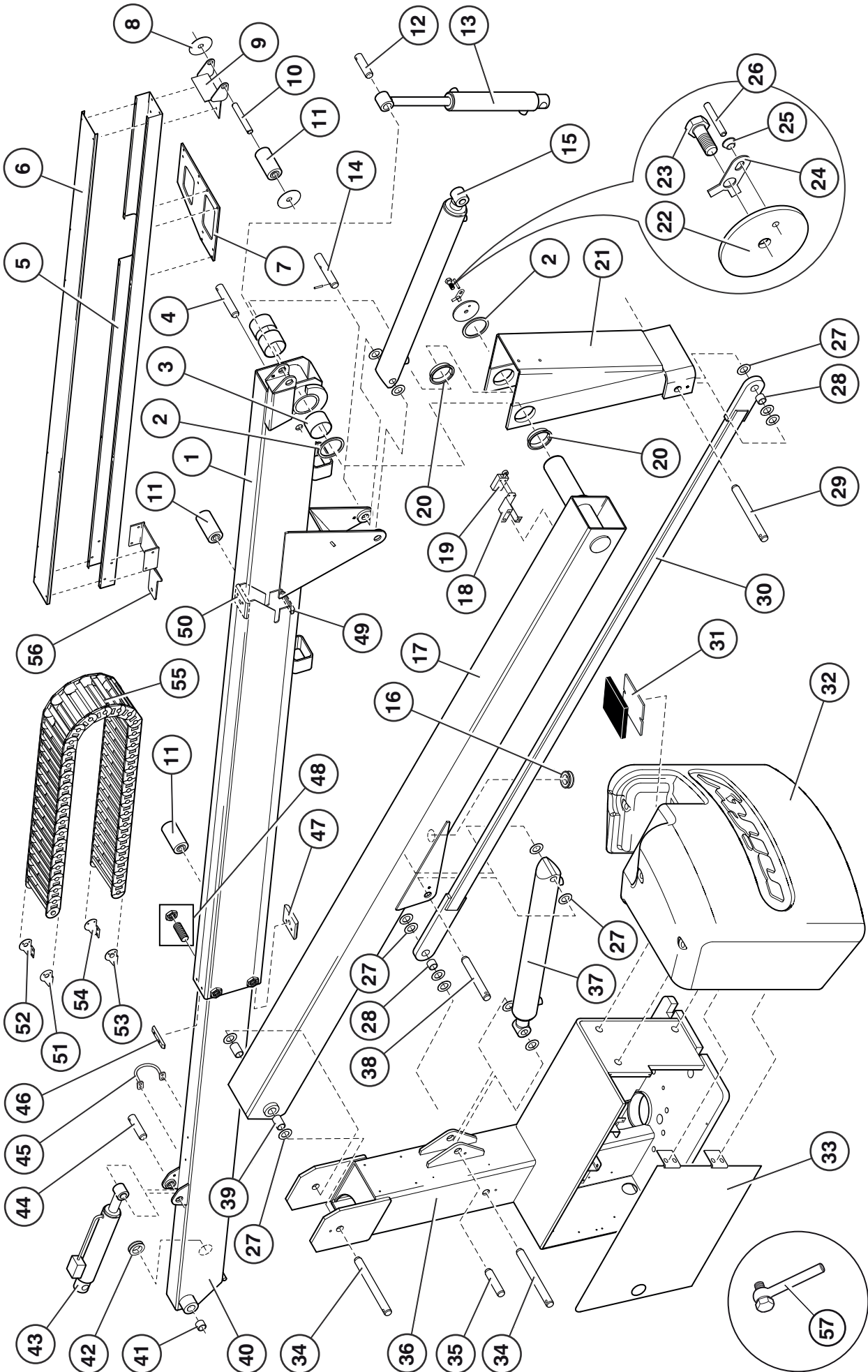
3.1 Booms assembly

Item Description Part Number

1	Boom 3			P27636
2	Nylatron washer			P12733
3	Bush DU7050			P12324
4	Pivot pin - 127mm (Tele-cylinder)			P12952
5	Trunking			P20167
6	Lid - trunking			P20168
7	Bracket - trunking			P12643
8	Washer guide			P18771
9	Bracket - Roller			P20169
10	Pin - Roller			P10682
11	Roller			P10680
12	Pivot pin - 85mm			P19550
13	Levelling cylinder See "Levelling cylinder" on page 3-8.			P11764
14	Pivot pin - 146mm Roll Pin			P12955 P17485
15	Lift cylinder See "Lift cylinder" on page 3-6.			P25626
16	Grommet			P11283
17	Boom 2			P27635
18	Bracket Switch a Switch b			P20563 P30456
19	Switch a) Honeywell b) Bernstein			P18150 P30387
20	Flanged bush			P12719
21	Knuckle			P20044
22	End cap			P10037
23	Bolt for item 22			P70266
24	Tab washer			P17412
25	Starlock cap			P28463
26	Roll pin			P70267
27	Plastic washer			P10035
28	Bush DU2520			P10032
29	Pivot pin - 253mm			P19551

french
german
spanish

boom assemblies



french
german
spanish

boom assemblies

Figure 3.1 Booms assembly

3.1 continued

Item	Description				Part Number
30	Levelling rod				P20048
31	Boom rest - rubber Spacer 5 mm 2 mm				P11857 P33328 P33329
32	Counterweight				P20040
33	Door				P20108
34	Pivot pin - 240mm				P19546
35	Pivot pin - 94mm				P12953
36	Boom 1				P20099
37	Lift cylinder <i>See "Lift cylinder" on page 3-6.</i>				P11255
38	Pivot pin - 200mm				P15950
39	Bush DU2550				P10031
40	Boom 4				P33589
41	Bush - Top hat				P12250
42	Grommet				P17566
43	Levelling cylinder <i>See "Levelling cylinder" on page 3-8.</i>				P22974
44	Pivot pin - 95mm				P12899
45	Hose hoop				P11118
46	Wear pad (green)				P27462
47	Wear pad (green)				P27461
48	Nylatron stud Nut				P11436 P16312
49	Spacer				P27463
50	Wear pad (white)				P27464
51	Upper bracket - Inner				P19230
52	Upper bracket - Outer				P19229
53	Lower bracket - Inner				P19228
54	Lower bracket - Outer				P19227
55	Hose tracking assy <i>See "Energy chain" on page 3-12.</i>				P27400
56	Bracket (Trunking)				P19915
57	Swing bolt				P15966

french
german
spanish

boom assemblies

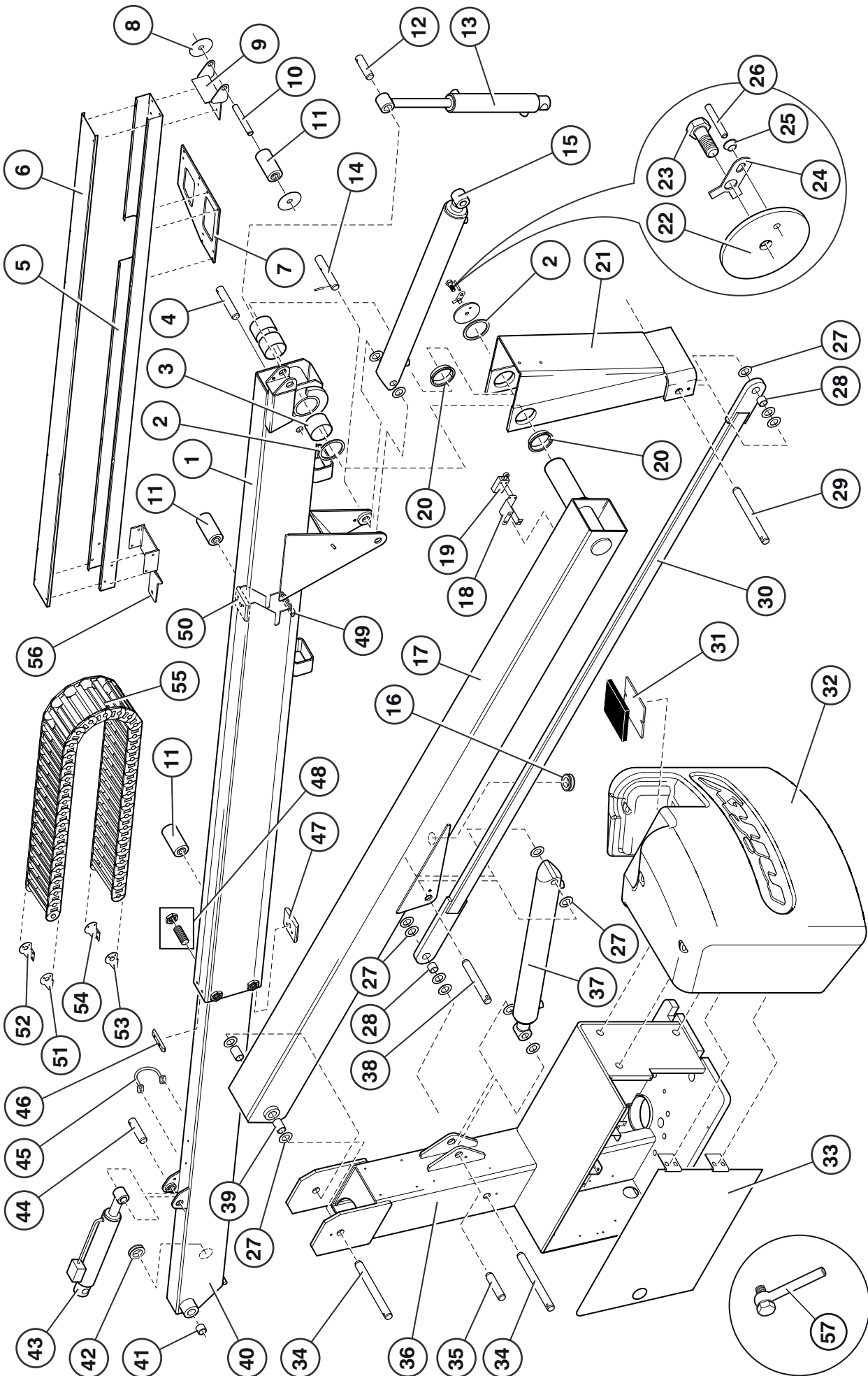


Figure 3.1 Booms assembly

french
german
spanish

boom assemblies



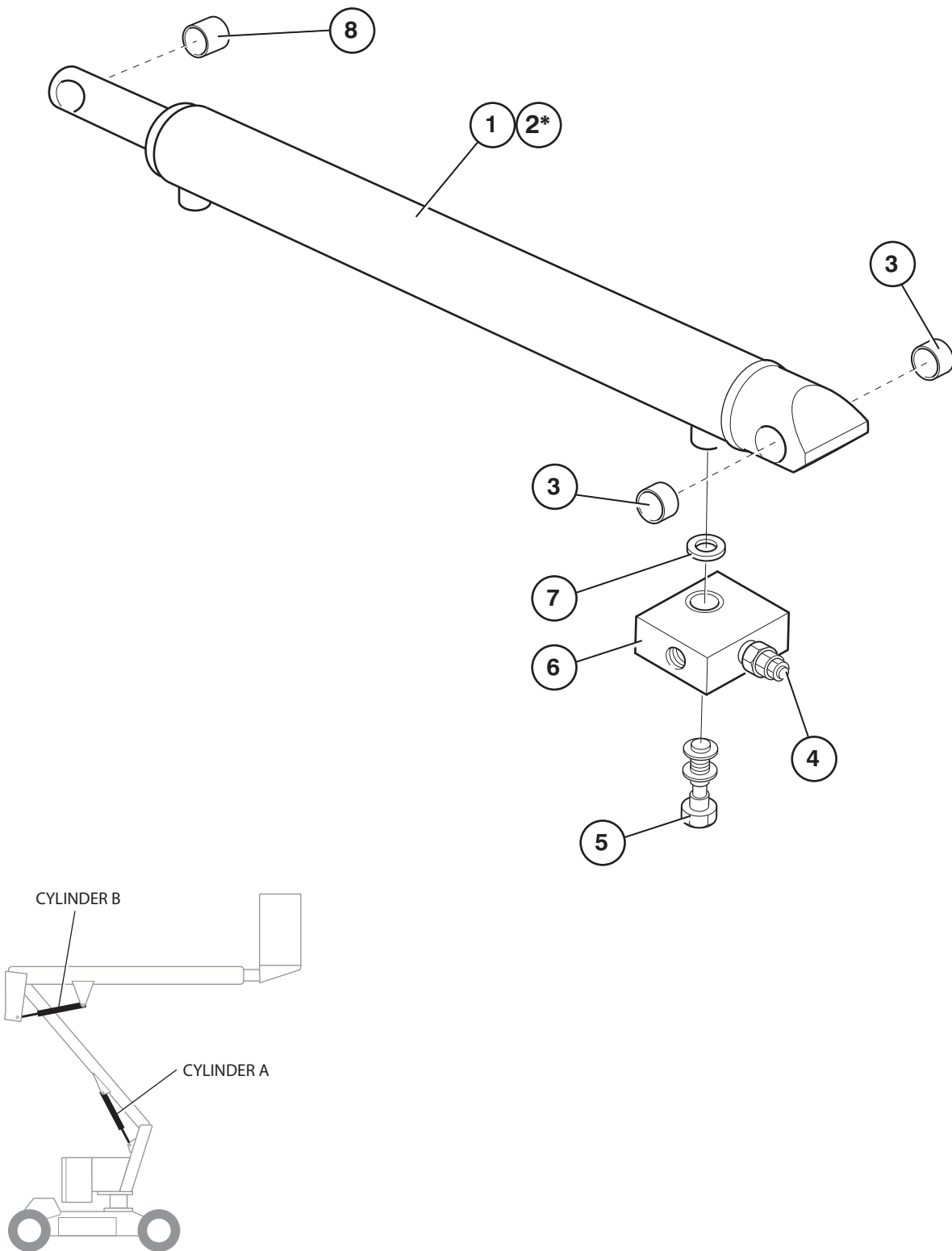
3.2 Lift cylinder

Item	Description	Part Number
1	Cylinder - A B	P11255 P25626
2 *	Seal kit for item 1	P11369
3	Bush DU2520	P10032
4	Load valve ONLY	P31916
5	Banjo bolt - Cylinder A Cylinder B	P10267 P10527
6	Check valve assy	P21052
7	Dowty washer	P70126
8	Bush DU2530	P24269

* Not illustrated

french
german
spanish

boom assemblies



french
german
spanish

boom assemblies

Figure 3.2 HR12/SP34 Lift cylinder

3.3 Levelling cylinder

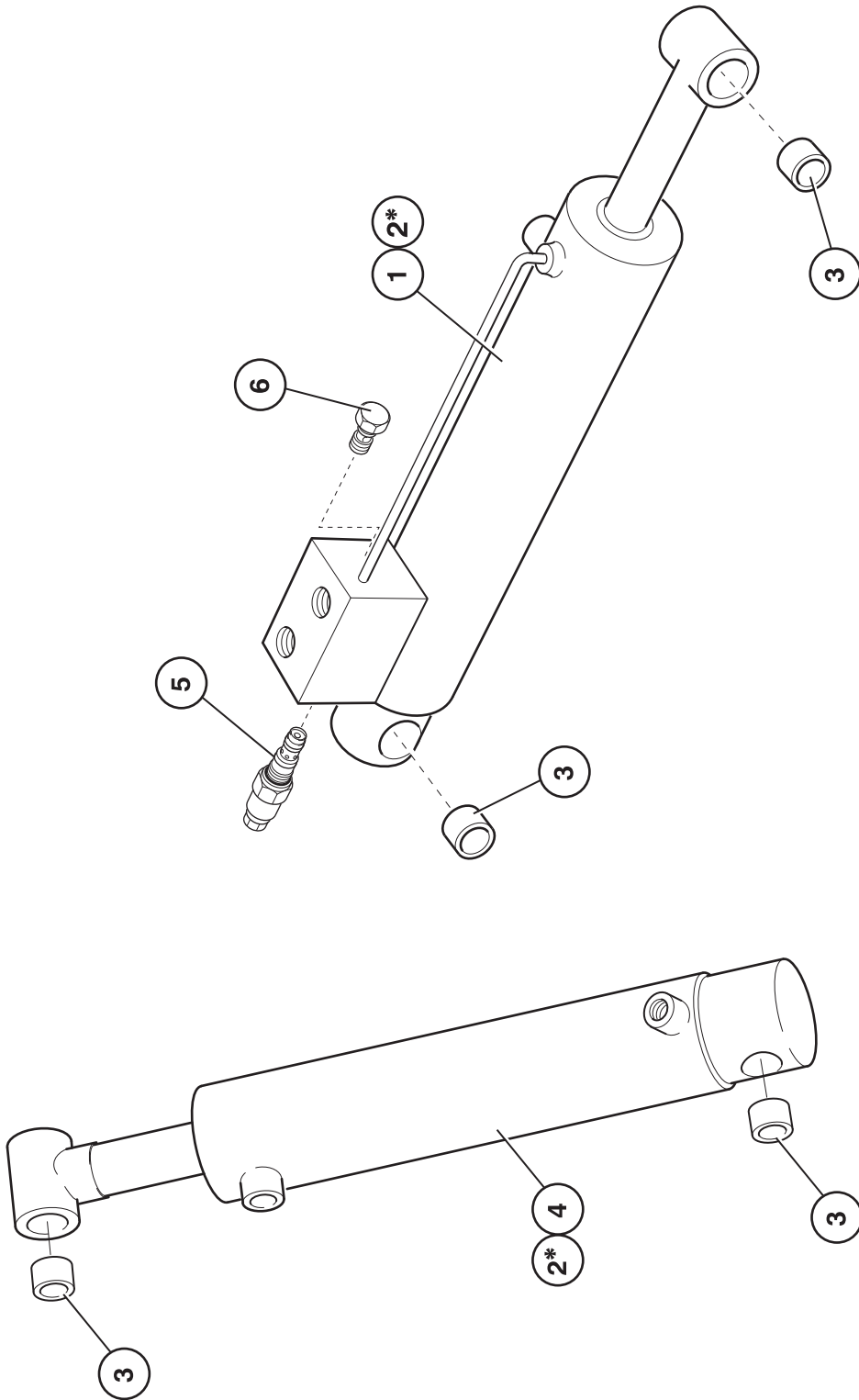
Item	Description				Part Number
1	Cylinder (slave)				P22974
2 *	Seal kit for items 1 and 4				P11082
3	Bush DU2520				P10032
4	Cylinder				P11764
5	Load valve				P11956
6	Check valve cartridge				P17317

* Not illustrated

french
german
spanish

boom assemblies

3-8



french
german
spanish

boom assemblies

Figure 3.3 Levelling cylinder

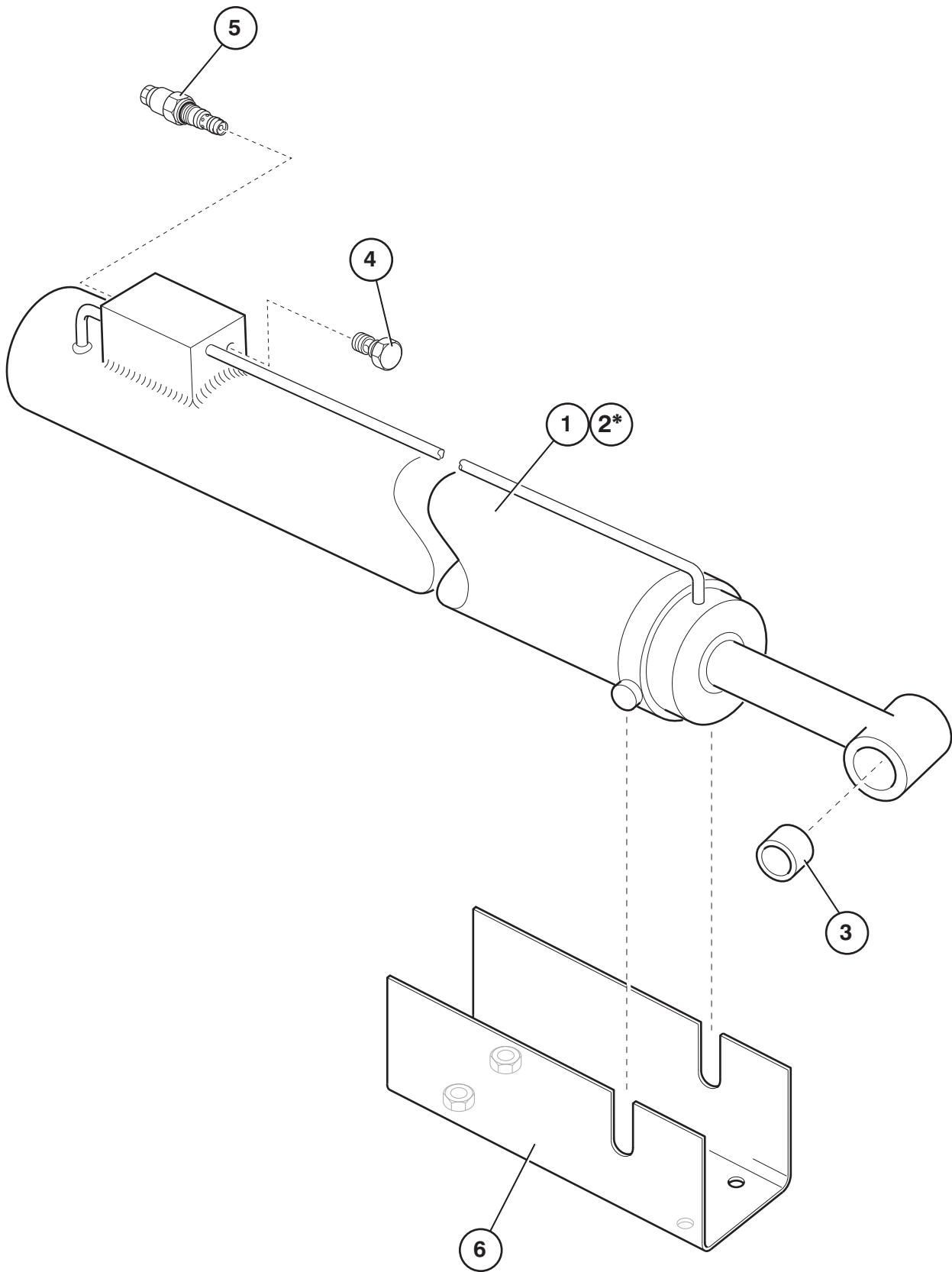
3.4 Telescope cylinder

Item	Description				Part Number
1	Cylinder				P27494
2 *	Seal kit for item 1				P11756
3	Bush DU2520				P10032
4	Check valve cartridge				P17317
5	Load valve				P11956
6	Bracket				P27465

* Not illustrated

french
german
spanish

boom assemblies



french
german
spanish

boom assemblies



3-11

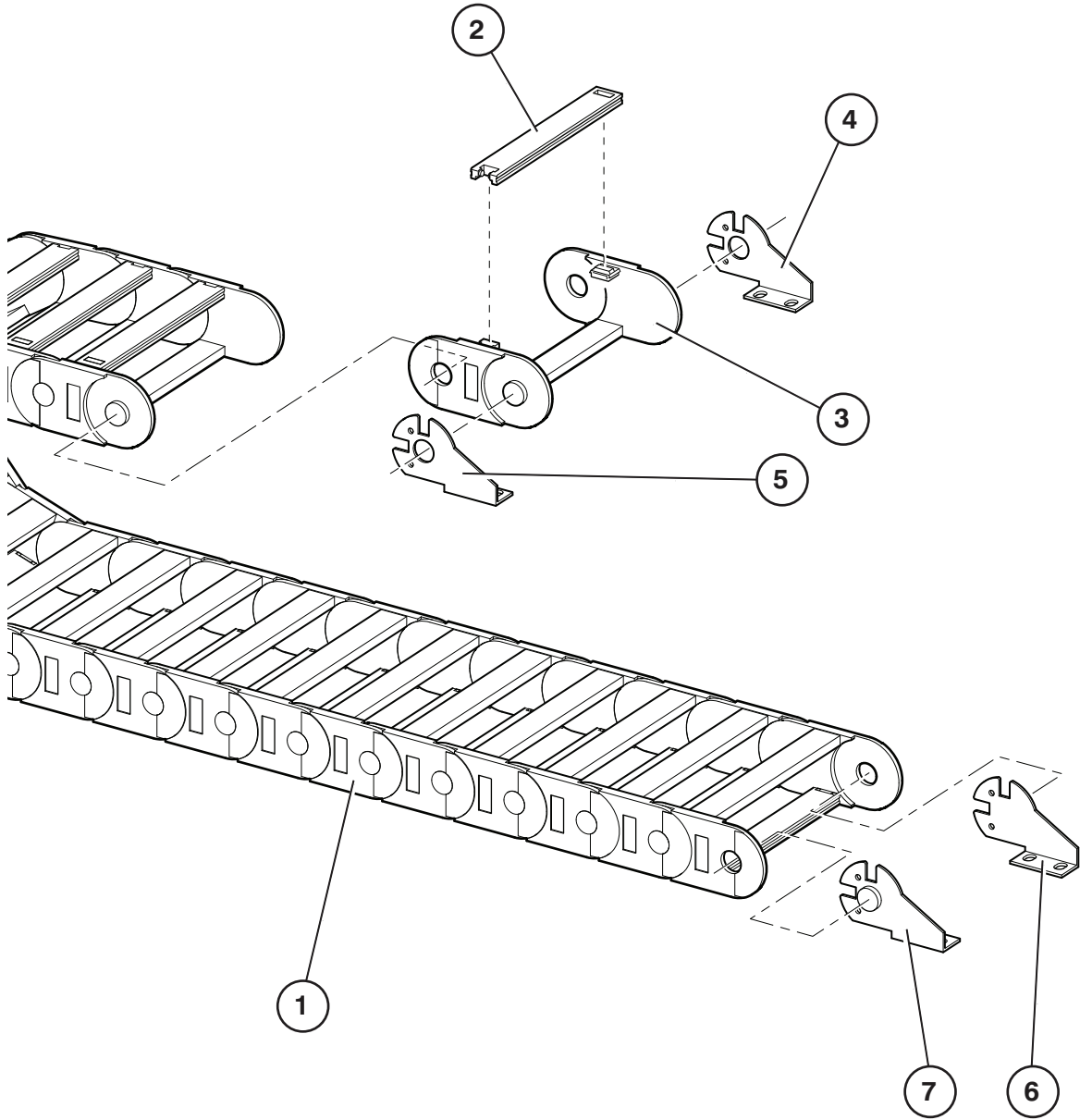
Figure 3.4 Telescope cylinder

3.5 Energy chain

Item	Description				Part Number
1	Chain assembly (Items 4 to 7 not included)				P27400
2	Bridge				P28094
3	Link (Includes item 2)				P28093
4	Bracket (Inner, with hole)				P19228
5	Bracket (Outer, with hole)				P19227
6	Bracket (Inner)				P19230
7	Bracket (Outer)				P19229

french
german
spanish

boom assemblies



french
german
spanish

boom assemblies

Figure 3.5 Energy chain

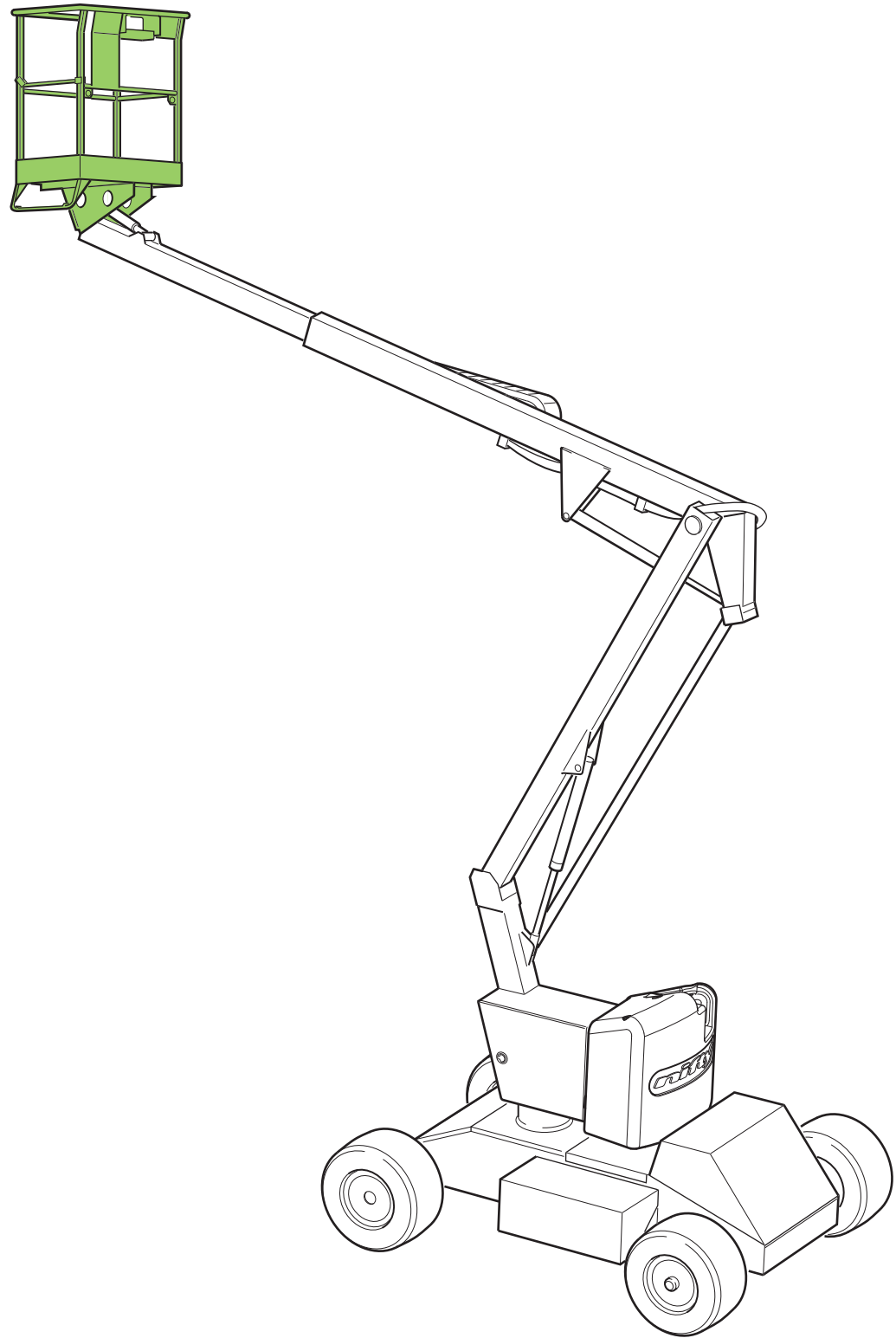


nifty

HR12 (SP34)



illustrated parts manual
Manuel illustré de pièces détachées
Illustrierte Stückliste
Manual de piezas ilustrado



4

cage assembly

french
german
spanish

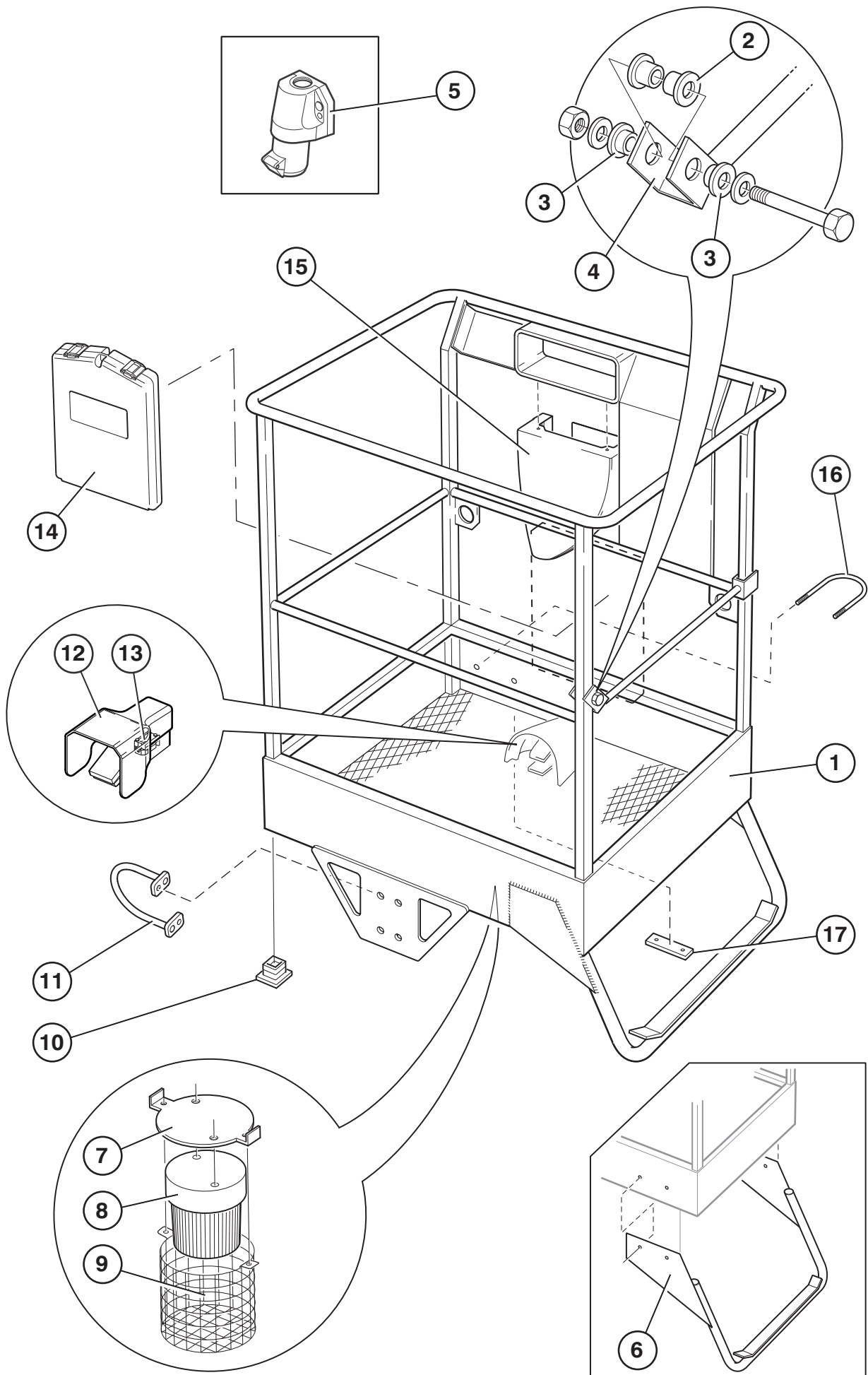


4.1 Cage assembly

Item	Description				Part Number
1	Cage With cage weigh <i>Standard</i> <i>Pan handle bracket</i>				P27589 P29001 P10843
	Non cage weigh				
2	Bush				P10840
3	Bush				P18647
4	Cage gate				P11610
5	Socket - 110v/16A (OPTIONAL)				P25082
6	Step				P16905
7	Bracket - Beacon (OPTIONAL)				P11451
8	Beacon (OPTIONAL)				P10274
9	Guard - Beacon (OPTIONAL)				P10312
10	Cap				P10841
11	Hoop				P11118
12	Footswitch (OPTIONAL)				P26601
	Cover ONLY				P26752
13	Electrical contact				P26751
14	Instruction manual box (OPTIONAL)				P11618
15	Hose cover assembly				P27850
16	Hoop (U Bolt)				P10566
17	Wear Pad (Non cage weigh/ USA only)				P15167

french
german
spanish

cage assembly



french
german
spanish

cage assembly

Figure 4.1 Cage assembly

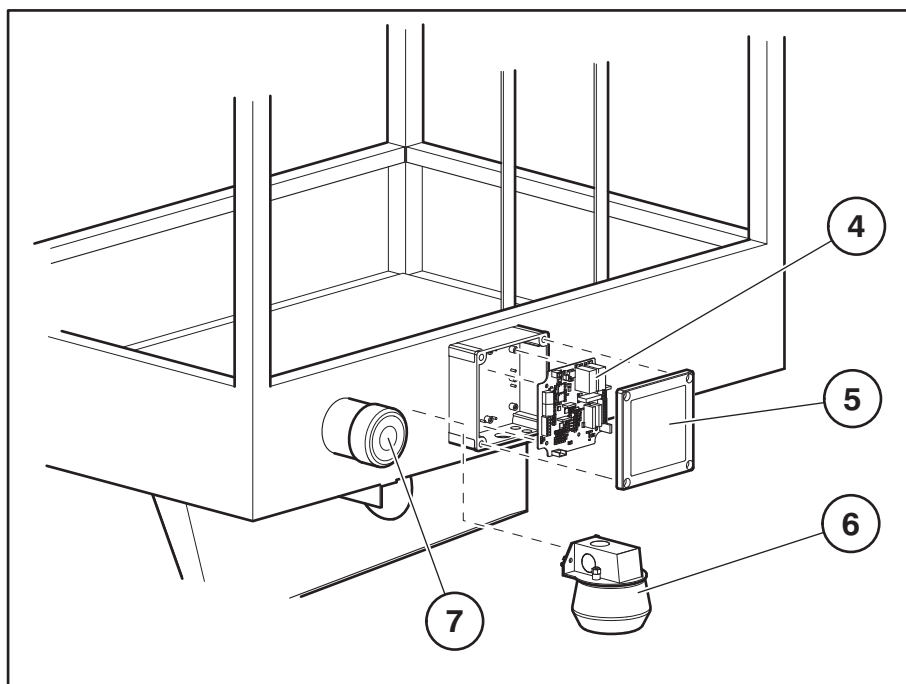
4.2 SiOPS™ assembly

Item	Description				Part Number
1	Safety bar				P25431
2	Support				P25279
3	Bracket				P25270
4	PCB - SiOPS and Cage Weigh				P30731
5	Box ONLY Drain plug *				P22059 P23737
6	Beacon - Blue				P27950
7	Annunciator				P27951

* Not illustrated

french
german
spanish

cage assembly



french
german
spanish

cage assembly

Figure 4.2 SiOPS™ assembly

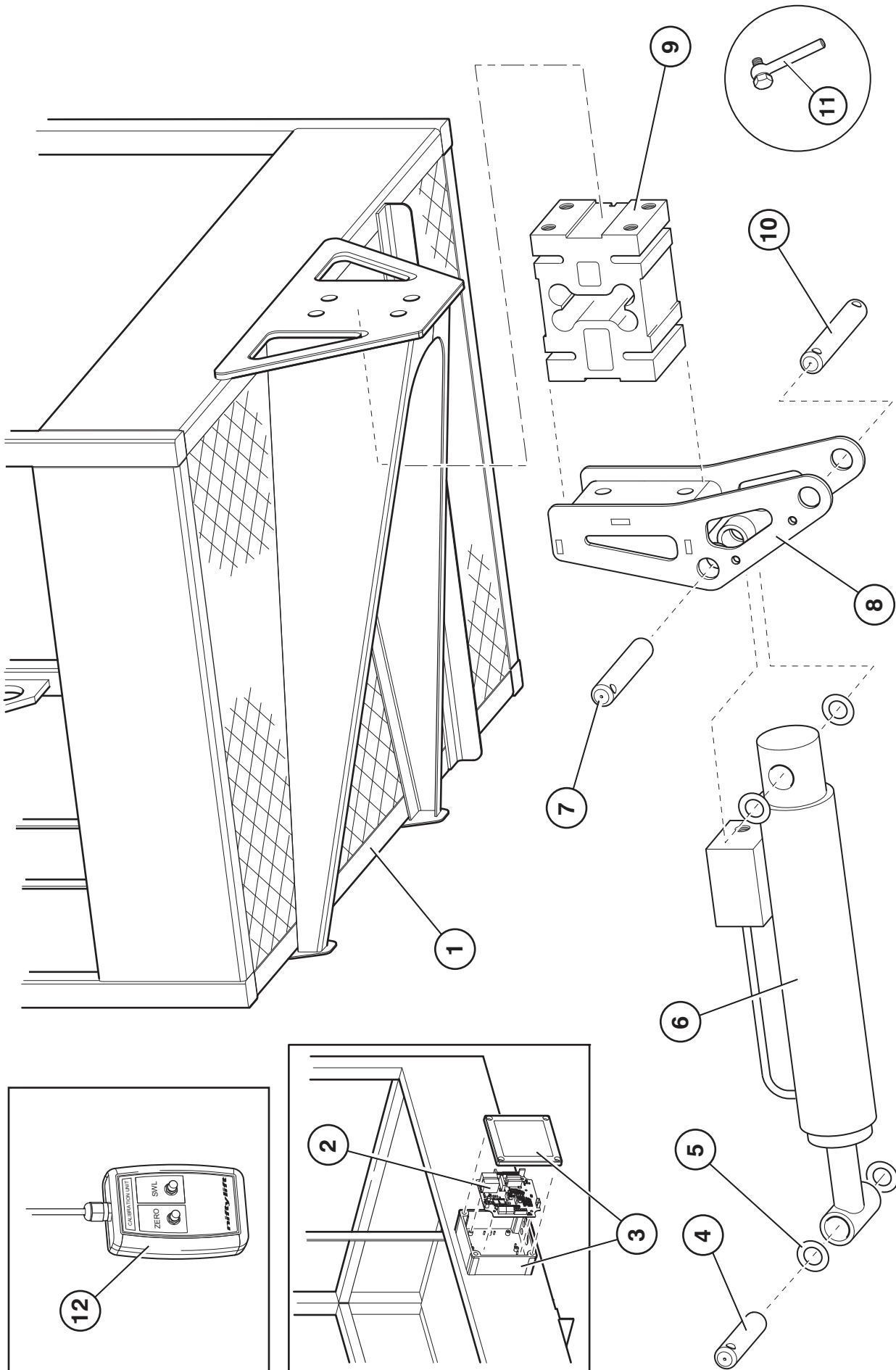
4.3 Cage weigh assembly - Load Cell

Item	Description				Part Number
1	Cage assembly				P27589
2	PCB - SiOPS and Cage Weigh				P30731
3	Box ONLY Drain plug *				P22059 P23737
4	Pin - 110mm				P13157
5	Washer - plastic				P10035
6	Levelling cylinder See "Levelling cylinder" on page 3-12.				P22974
7	Pin - 146mm				P12955
8	Cage bracket				P27575
9	Load cell 1.1m cable 2.4m cable				P18179 P29179
10	Pin - 166mm				P17355
11	Swing bolt				P15966
12	Calibration unit				T00237

* Not illustrated

french
german
spanish

cage assembly



french
german
spanish

cage assembly

Figure 4.3 Cage weigh assembly - Load cell

4.4 Control box - Cage

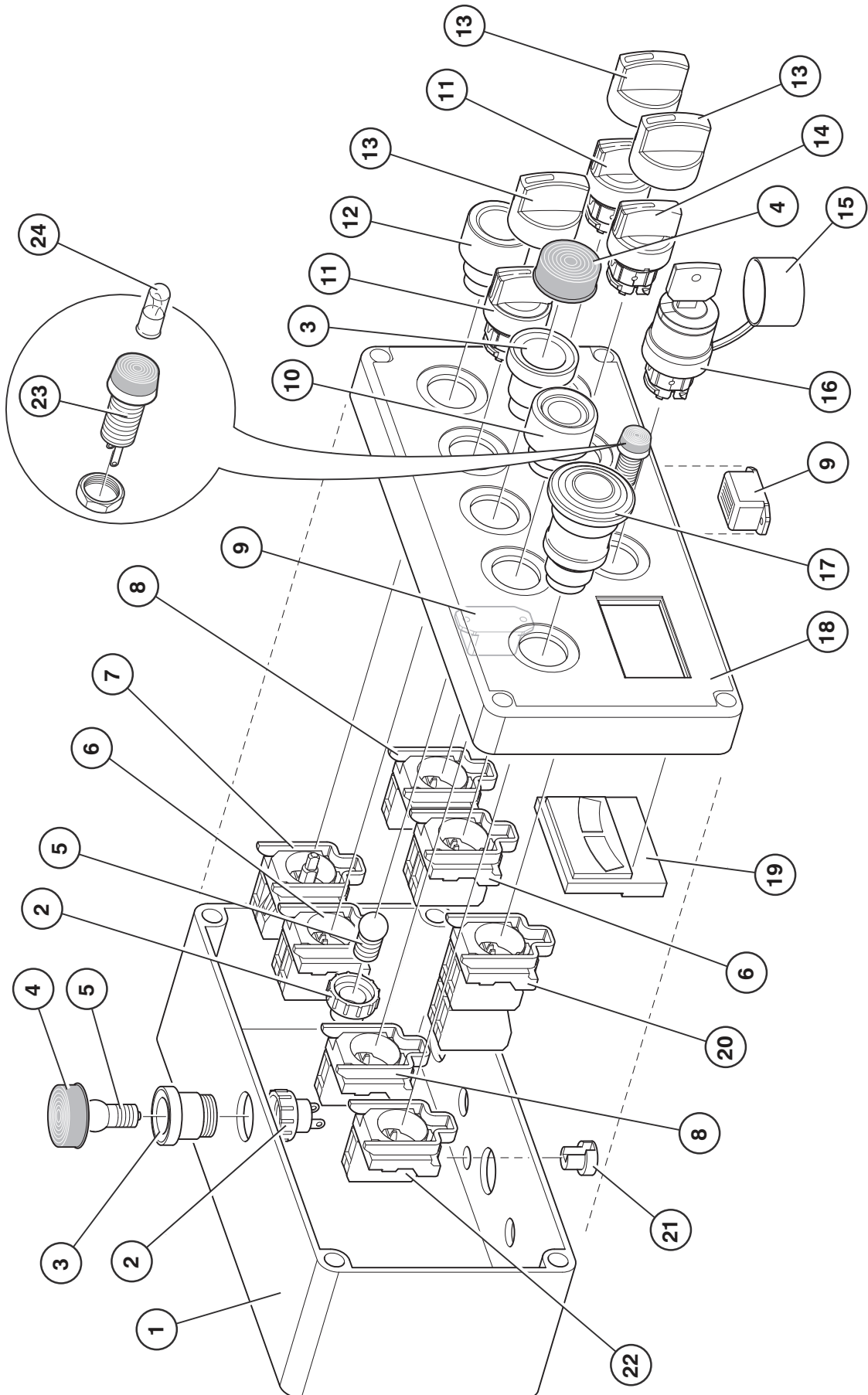
Item Description Part Number

	Complete assembly Diesel/Bi-energy (D/BE) Electric (E) Electric (24v) Non cage weigh (D/BE)				P27700 P22545 P23686 P11946
1	Box (not drilled)				P12861
2	Bulb holder				P11790
3	Lamp Housing				P14276
4	Lens				P11295
5	Bulb				P11791
6	Base, switch Contact - NO Contact - NO				P24322 P24323 P24323
7	Base, switch Contact - NO LED block - Green				P24322 P24323 P24338
8	Base, switch Contact - NO				P24322 P24323
9	Buzzer				P15224
10	Blue button				P24345
11	Selector switch				P24318
12	Green button (includes boot) Boot ONLY				P24333 P24332
13	Rubber cover				P24319
14	Selector switch				P24327
15	Rubber cover				P24321
16	Key switch - 455 key				P24346
17	E-Stop button USA Only				P24317 P28564
18	Decal ONLY E D/BE				P12832 P26396
19	Battery meter				P11494
20	Base, switch Contact - NO (x4)				P24322 P24323
21	Drain plug				P23737
22	Base, switch Contact - NC				P24322 P24324

french
german
spanish

cage assembly

23	Lamp assy. - Red				P11408
24	Bulb				P11409



french
german
spanish

cage assembly



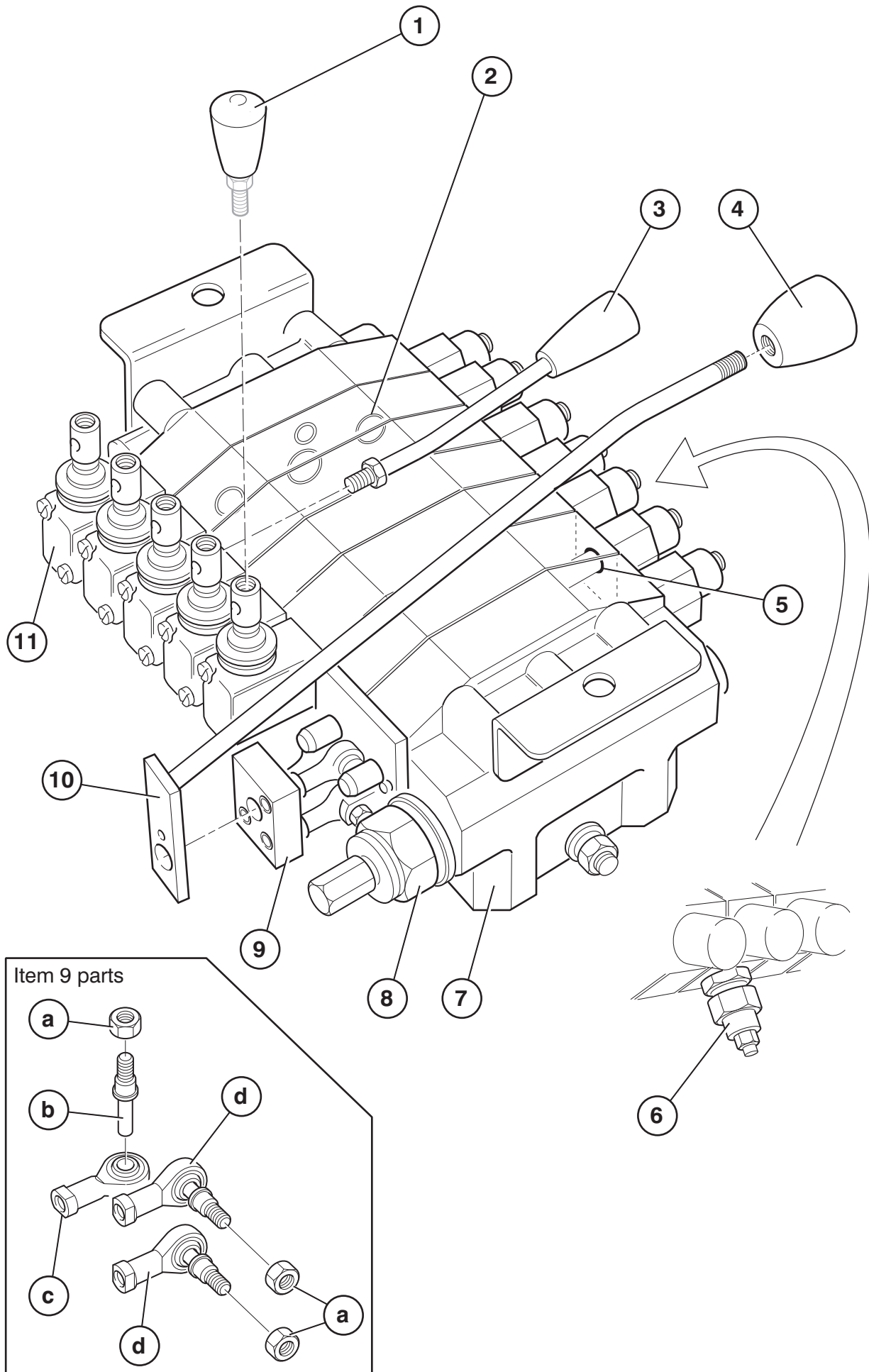
Figure 4.4 Control box - Cage

4.5 Control valve - Cage

Item	Description				Part Number
1	Knob ONLY				P28677
2	Interface seal kit				P10706
3	Lever - 150mm				P70346
4	Knob (M10)				P28750
5	Seal kit - Spool				P10707
6	Pressure relief valve Telescope spool Levelling spool				P10879 P15840
7	Control valve assy - HR10/SP26 (5 spool) HR12/SP34 (7 spool)				P15516 P24750
8	Pressure relief valve				P70335
9	Manipulator assy. (complete) a) Nut b) Vertical pin c) Universal joint d) UJ joint & pin				P10708 P12748 P12749 P12750 P19917
10	Joystick (Item 4 not included)				P10310
11	Lever cap				P70338

french
german
spanish

cage assembly

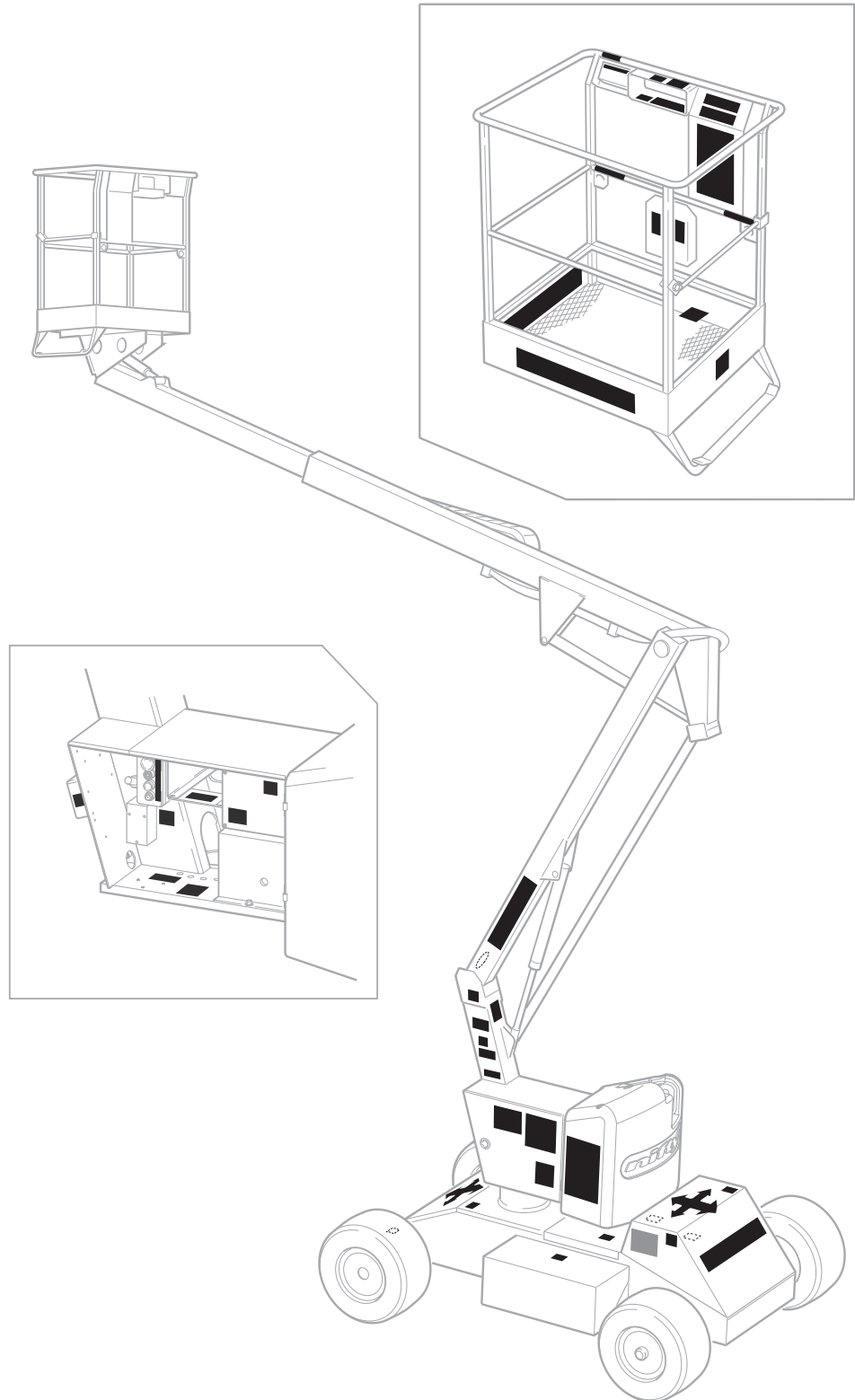




nifty

HR12 (SP34)

illustrated parts manual
Manuel illustré de pièces détachées
Illustrierte Stückliste
Manual de piezas ilustrado



5



labelling
french
german
spanish

5.1 Label locations HR10/12

Item	Description	Part Number
1	Cage - Hydraulic control levers - HR10 HR12	P15878 P14939
	french	P15878 P14939
	german	P15878 P14939
	spanish	P15878 P14939
	dutch	P15878 P14939
	swedish	P15878 P14939

2	Cage control box	P12832
	french	P12832
	german	P12832
	spanish	P12832
	dutch	P12832
	swedish	P12832

3	Cage overload symbol	P17214
	french	P17214
	german	P17214
	spanish	P17214
	dutch	P17214
	swedish	P17214

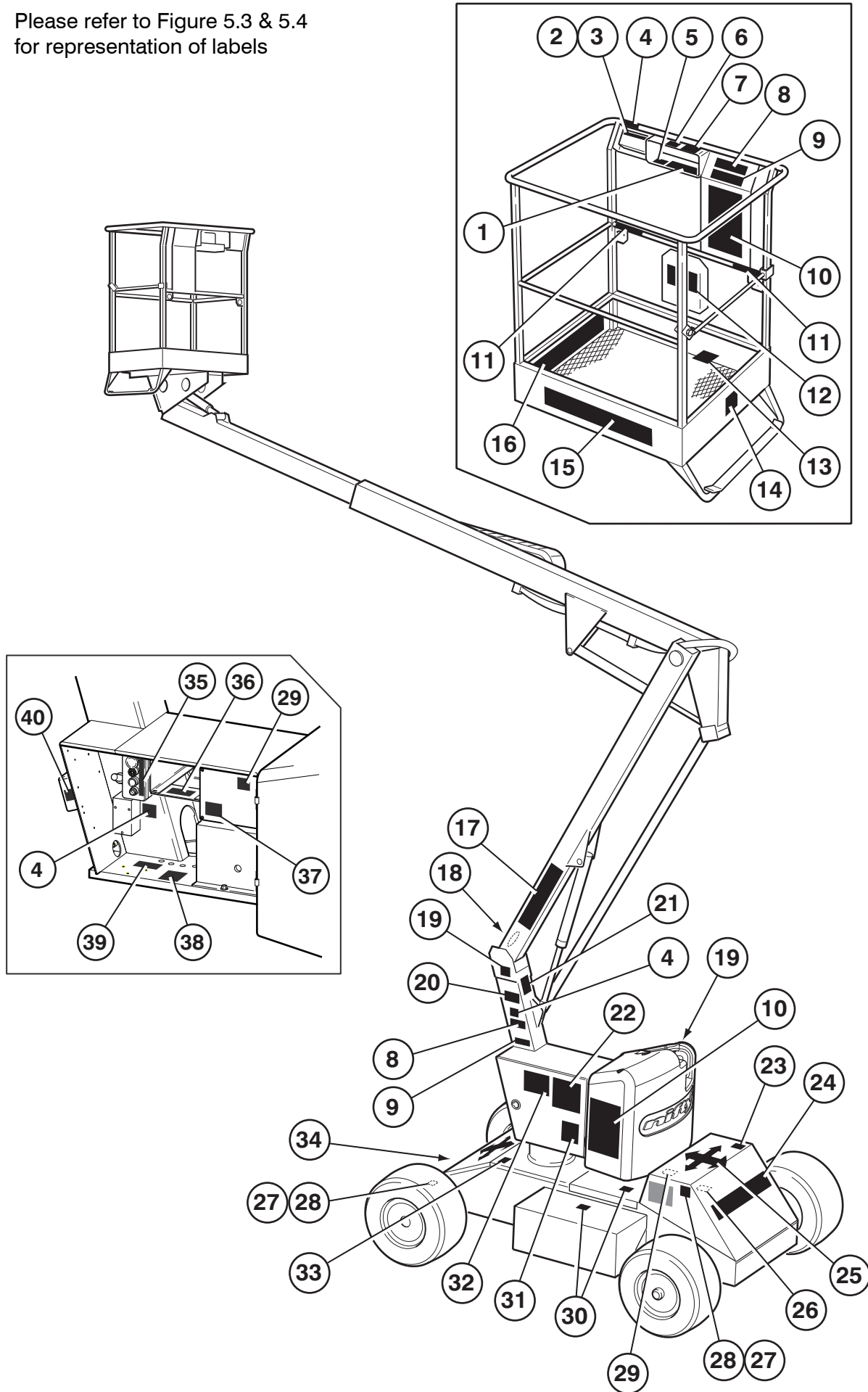
4	E-Stop - Do not disable	P14864
	french	P14865
	german	P14866
	spanish	P14867
	dutch	P16628
	swedish	P19625

5	Cage levelling	P10853
	french	P10853
	german	P10853
	spanish	P10853
	dutch	P10853
	swedish	P10853

french
german
spanish

labelling

Please refer to Figure 5.3 & 5.4 for representation of labels



french
german
spanish

labelling



Figure 5.1 Label locations HR10/12

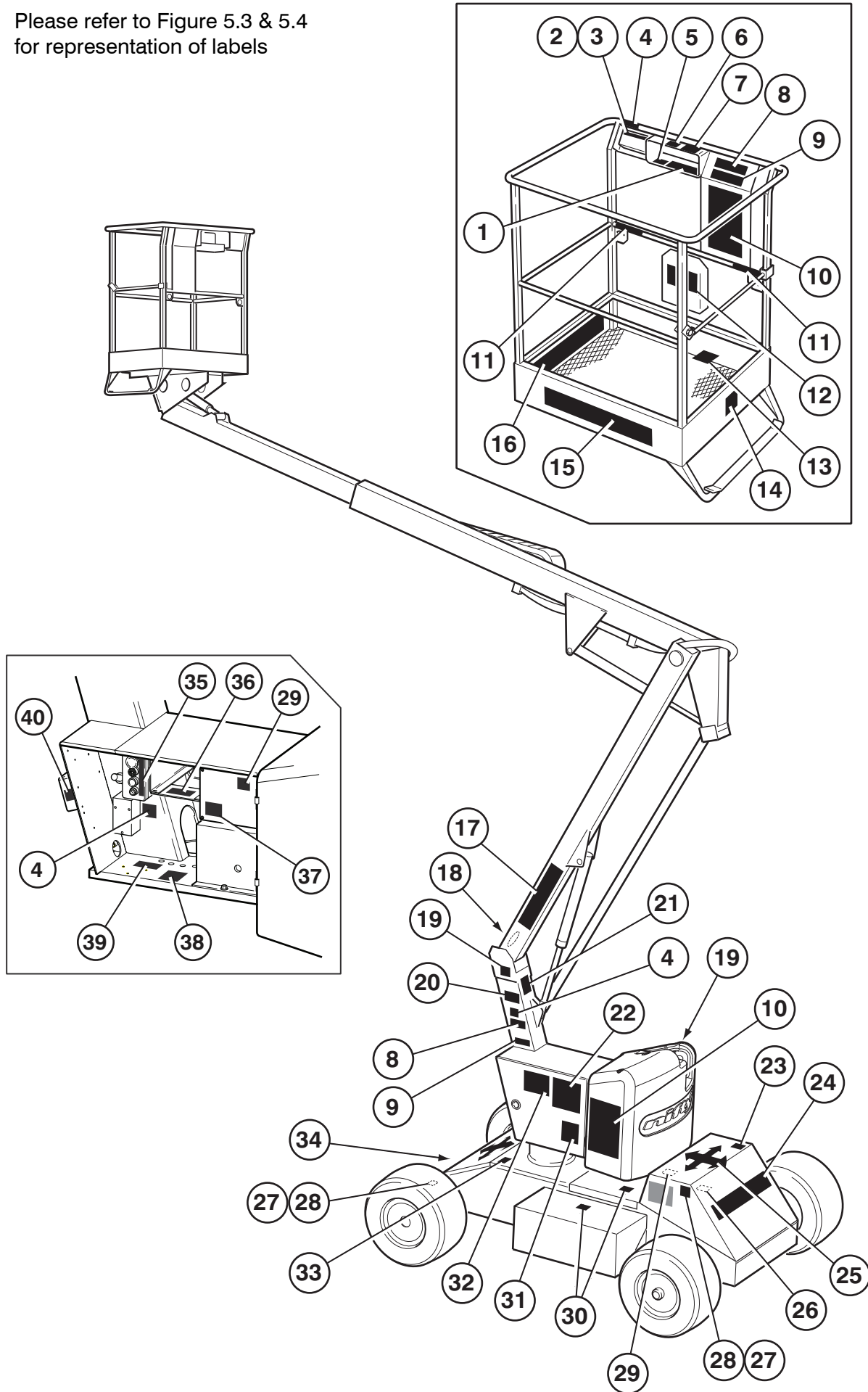
5.1 continued

Item	Description	Part Number
6	Cage gate warning	P18432
	french	P18432
	german	P18432
	spanish	P18432
	dutch	P18432
	swedish	P18432
7	Battery management	P11777
	french	P11811
	german	P11809
	spanish	P13432
	dutch	P16483
	swedish	P19715
8	Tilt alarm	P14868
	french	P14869
	german	P14870
	spanish	P14871
	dutch	P16398
	swedish	P19719
9	Overload warning	P18848
	french	P18849
	german	P18850
	spanish	P18851
	dutch	P18852
	swedish	P19638
10	General warning	P21970
	french	P21971
	german	P21972
	spanish	P21973
	dutch	P21974
	swedish	P20336
11	Harness point	P14883
	french	P14883
	german	P14883
	spanish	P14883
	dutch	P14883
	swedish	P14883

french
german
spanish

labeling

Please refer to Figure 5.3 & 5.4 for representation of labels



french
german
spanish

labelling



5-5

Figure 5.1 Label locations HR10/12

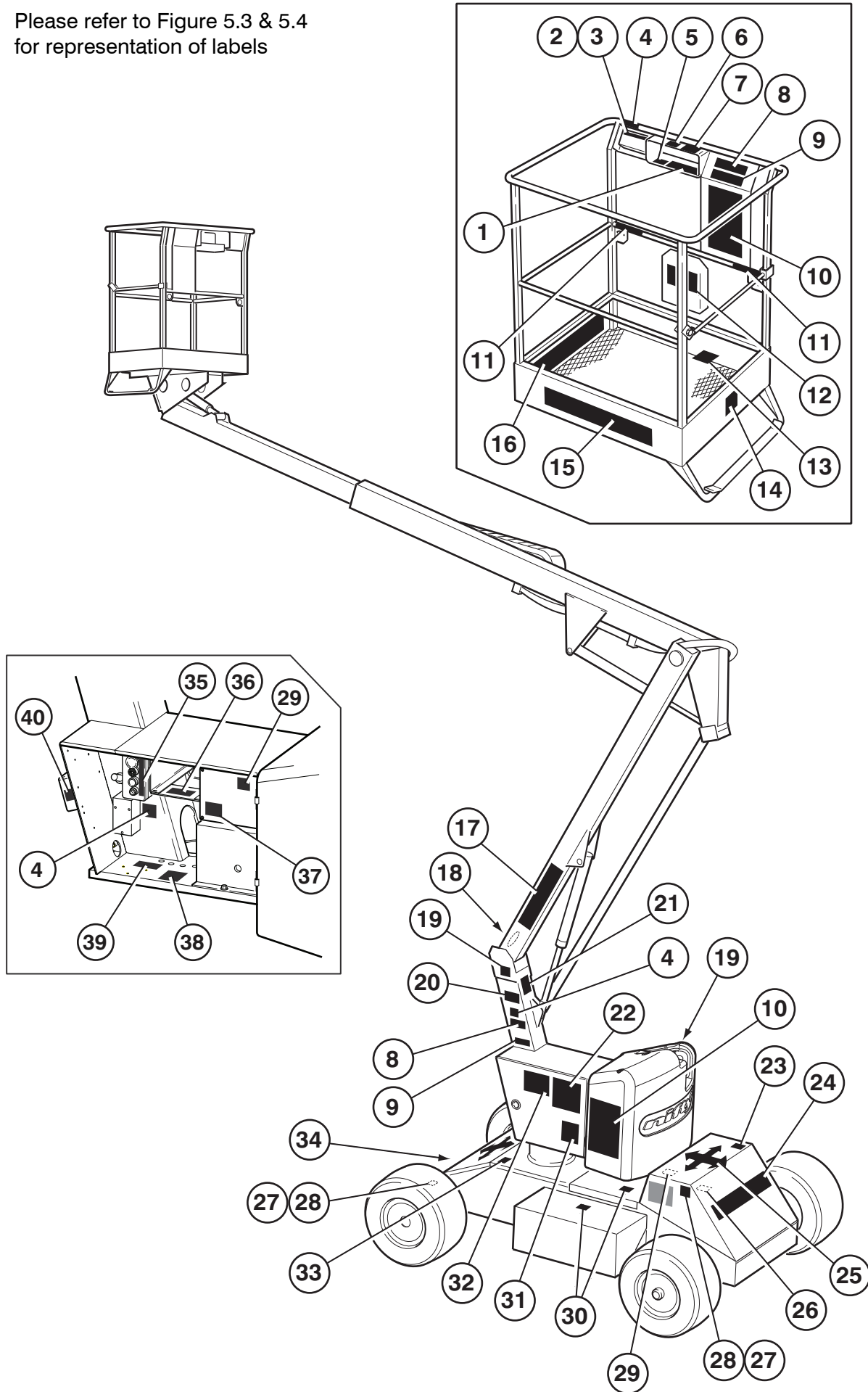
5.1 continued

Item	Description	Part Number
12	Operating instructions	P14892
	french	P14892
	german	P14892
	spanish	P14892
	dutch	P14892
	swedish	P14892
13	Footswitch	P14884
	french	P14885
	german	P14886
	spanish	P14887
	dutch	P16898
	swedish	P19626
14	Cage tie-down warning	P21404
	french	P21404
	german	P21404
	spanish	P21404
	dutch	P21404
	swedish	P21404
15	niftylift.com	P14390
	french	P14390
	german	P14390
	spanish	P14390
	dutch	P14390
	swedish	P14390
16	Warning - SWL 200kg	P14801
	french	P14801
	german	P14801
	spanish	P14801
	dutch	P14801
	swedish	P14801

french
german
spanish

labeling

Please refer to Figure 5.3 & 5.4 for representation of labels



french
german
spanish

labelling



5-7

Figure 5.1 Label locations HR10/12

5.1 continued

Item	Description	Part Number
17	Logo	Nifty HR10 - Grey Nifty HR12 - Grey
	french	P14601 P14604
	german	P14601 P14604
	spanish	P14601 P14604
	dutch	P14601 P14604
	swedish	P14601 P14604

18	Head protection	P14921
	french	P14921
	german	P14921
	spanish	P14921
	dutch	P14921
	swedish	P14921

19	Crush Hazard	P14782
	french	P14782
	german	P14782
	spanish	P14782
	dutch	P14782
	swedish	P14782

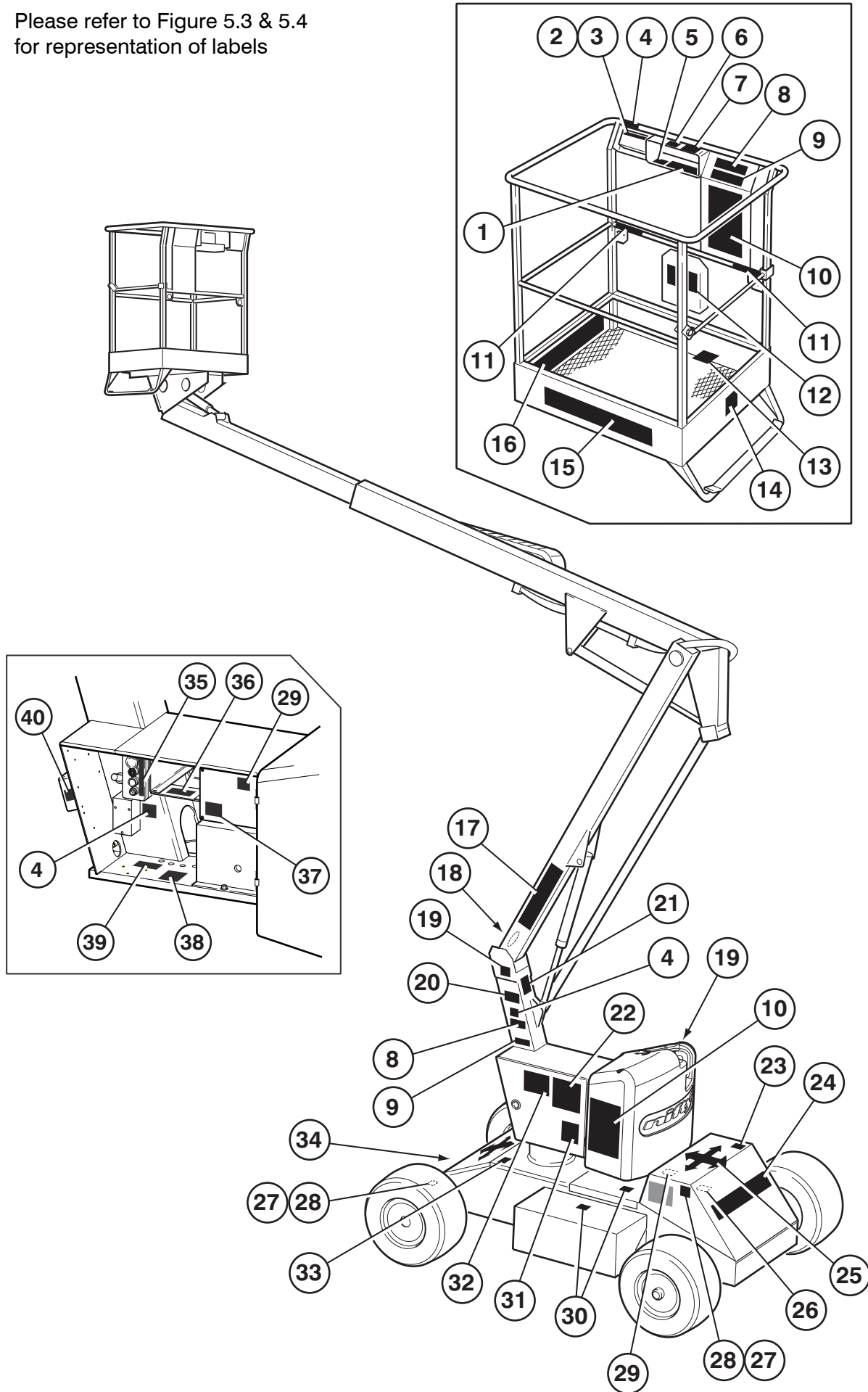
20	Foam filled tyres <i>(Not included on Non-marking tyre option)</i>	P14932
	french	P14933
	german	P14934
	spanish	P14935
	dutch	P17314
	swedish	P19720

21	Machine plate (Blank)	P15383
	french	P15383
	german	P15383
	spanish	P15383
	dutch	P15383
	swedish	P15383

french
german
spanish

labeling

Please refer to Figure 5.3 & 5.4 for representation of labels



french
german
spanish

labelling



5-9

Figure 5.1 Label locations HR10/12

5.1 continued

Item	Description	Part Number
22	General Notice	P18870
	french	P18871
	german	P18872
	spanish	P18873
	dutch	P16901
	swedish	P19723

23	Noise warning	P17124
	french	P17124
	german	P17124
	spanish	P17124
	dutch	P17124
	swedish	P17124

24	Heightrider logo - HR10 HR12	P14603 P14605
	french	P14603 P14605
	german	P14603 P14605
	spanish	P14603 P14605
	dutch	P14603 P14605
	swedish	P14603 P14605

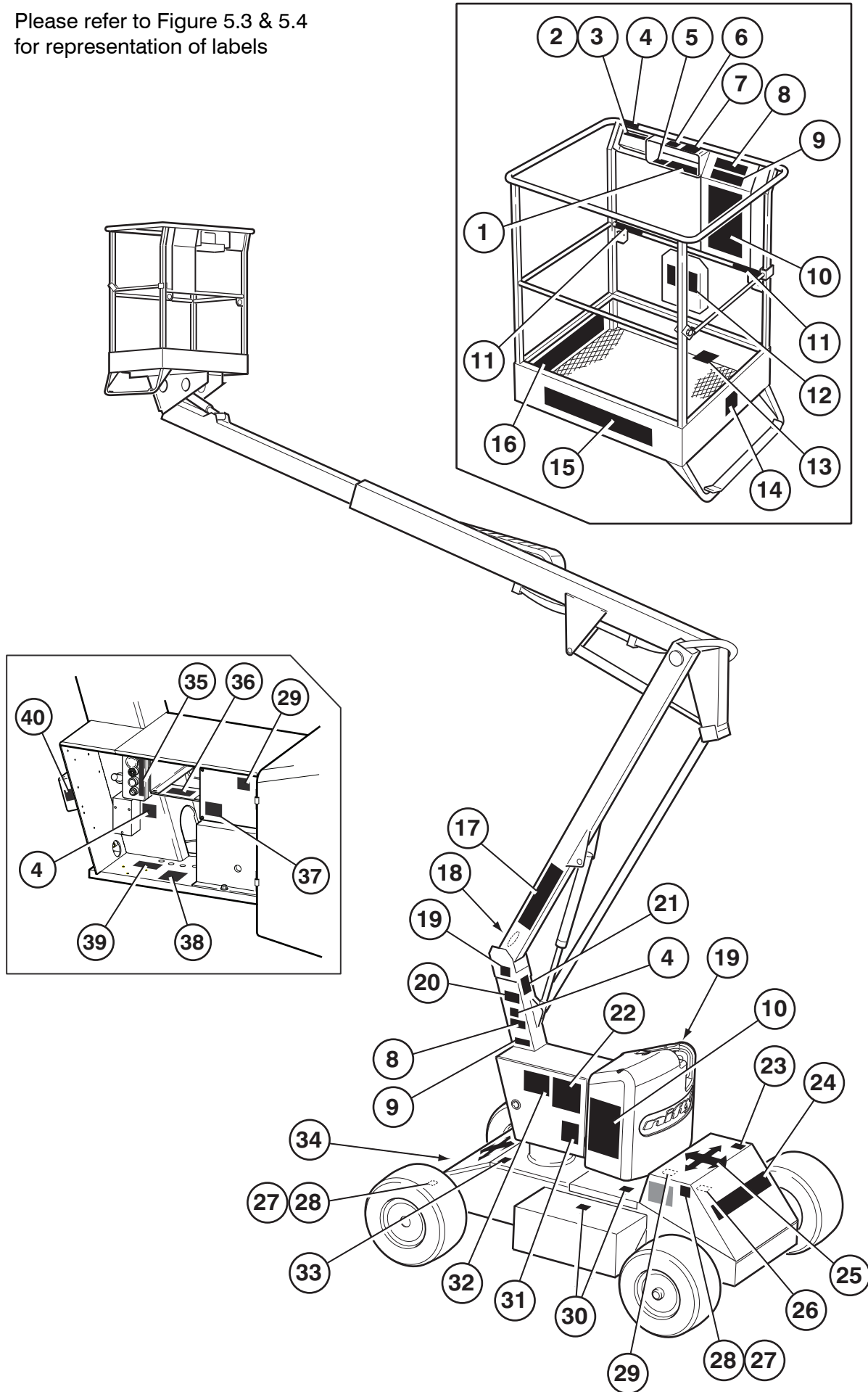
25	Travel direction	P14784
	french	P14784
	german	P14784
	spanish	P14784
	dutch	P14784
	swedish	P14784

26	Diesel fuel	P14414
	french	P14414
	german	P14414
	spanish	P14414
	dutch	P14414
	swedish	P14414

french
german
spanish

labelling

Please refer to Figure 5.3 & 5.4 for representation of labels



french
german
spanish

labelling



Figure 5.1 Label locations HR10/12

5.1 continued

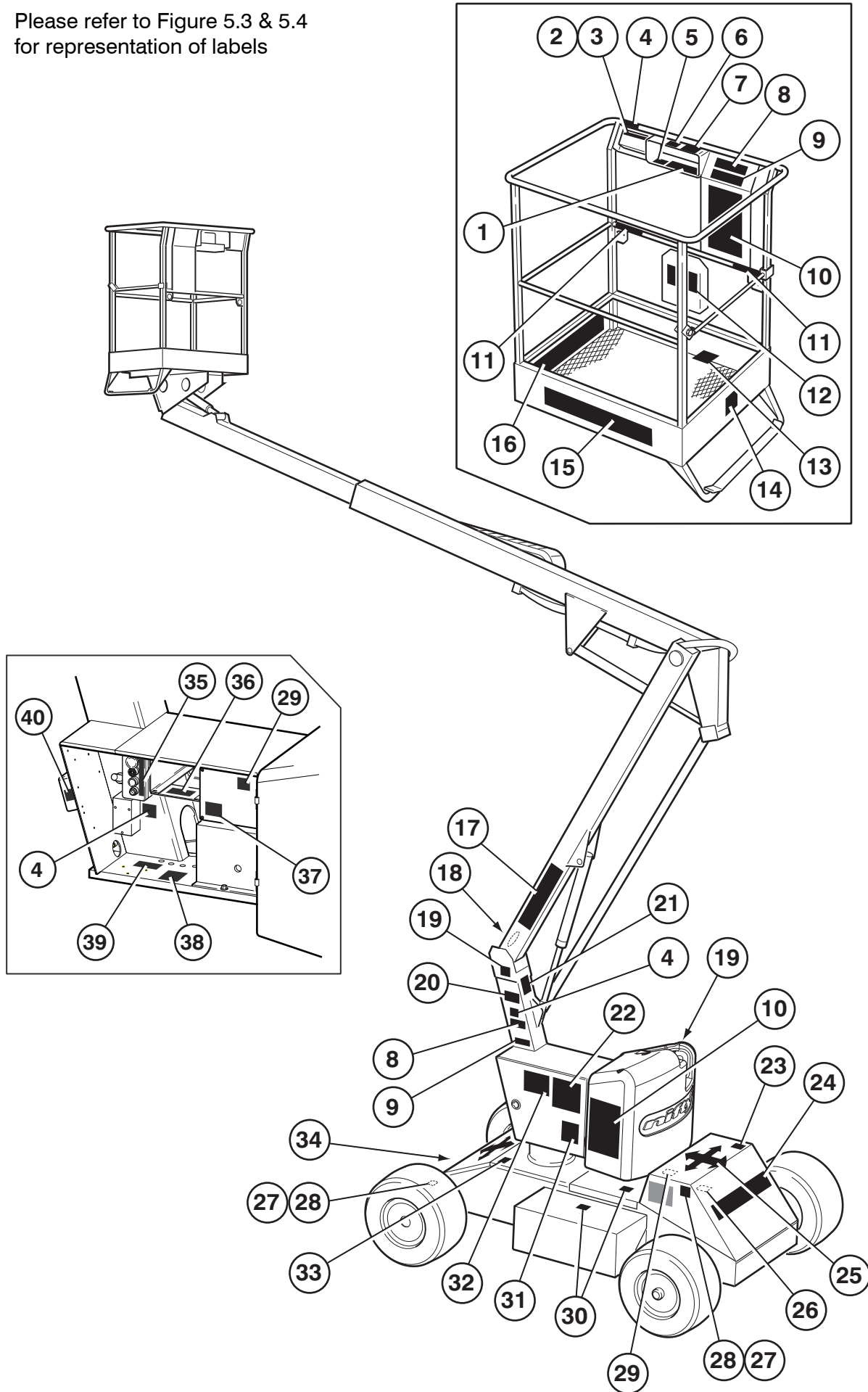
Item	Description	Part Number
27	Point load (HR10 D/E/DE) - 13.6kN (HR10 NDE) - 13.9 kN	P20606 P14969
	french	P20606 P14969
	german	P20606 P14969
	spanish	P20606 P14969
	dutch	P20606 P14969
	swedish	P20606 P14969
	28	Point load (HR12 E/DE) - 16.7 kN (HR12 NE/NDE) - 19.2 kN
french		P20607 P20608
german		P20607 P20608
spanish		P20607 P20608
dutch		P20607 P20608
swedish		P20607 P20608
29		Trip switch
	french	P19056
	german	P19056
	spanish	P19056
	dutch	P19056
	swedish	P19056
	30	No step
french		P14785
german		P14785
spanish		P14785
dutch		P14785
swedish		P14785
31		Battery charging
	french	P14905
	german	P14906
	spanish	P14907
	dutch	P16746
	swedish	P19628

french
german
spanish

labelling



Please refer to Figure 5.3 & 5.4 for representation of labels



french
german
spanish

labelling



5-13

Figure 5.1 Label locations HR10/12

5.1 continued

Item	Description	Part Number
32	Daily Safety Check List	P14908
	french	P14909
	german	P14910
	spanish	P14911
	dutch	P17318
	swedish	P19629

33	Battery isolator	P18610
	french	P18610
	german	P18610
	spanish	P18610
	dutch	P18610
	swedish	P18610

34	Drive wheel lock	P19444
	french	P15570
	german	P15571
	spanish	P15572
	dutch	P19444
	swedish	P19444

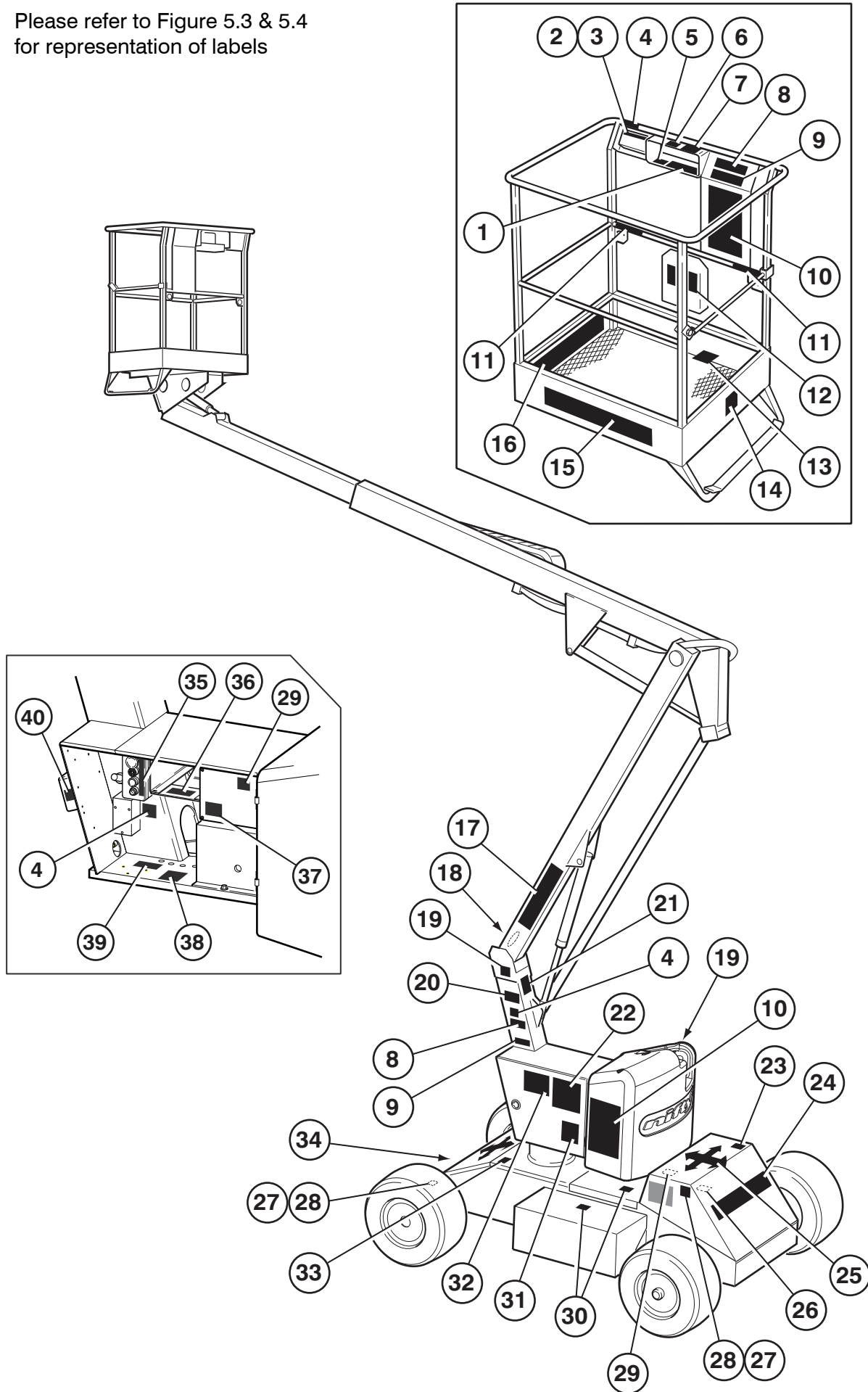
35	Base control	cage weigh	P21055
		non cage weigh	P21131
	french		P21055
			P21131
	german		P21055
			P21131
	spanish		P21055
			P21131
	dutch		P21055
			P21131
	swedish		P21055
			P21131

36	Base - Hydraulic control levers	P14937
	french (HR10) (HR12)	P14936
		P14937
	german	P14937
	spanish	P14937
	dutch	P14937
	swedish	P14937

french
german
spanish

labelling

Please refer to Figure 5.3 & 5.4 for representation of labels



french
german
spanish

labelling



5-15

Figure 5.1 Label locations HR10/12

5.1 continued

Item	Description	Part Number
37	Base/Cage selector valve	P19445
	french	P19445
	german	P19445
	spanish	P19445
	dutch	P19445
	swedish	P19445

38	Manual descent	P19716
	french	P19716
	german	P19716
	spanish	P19716
	dutch	P19716
	swedish	P19716

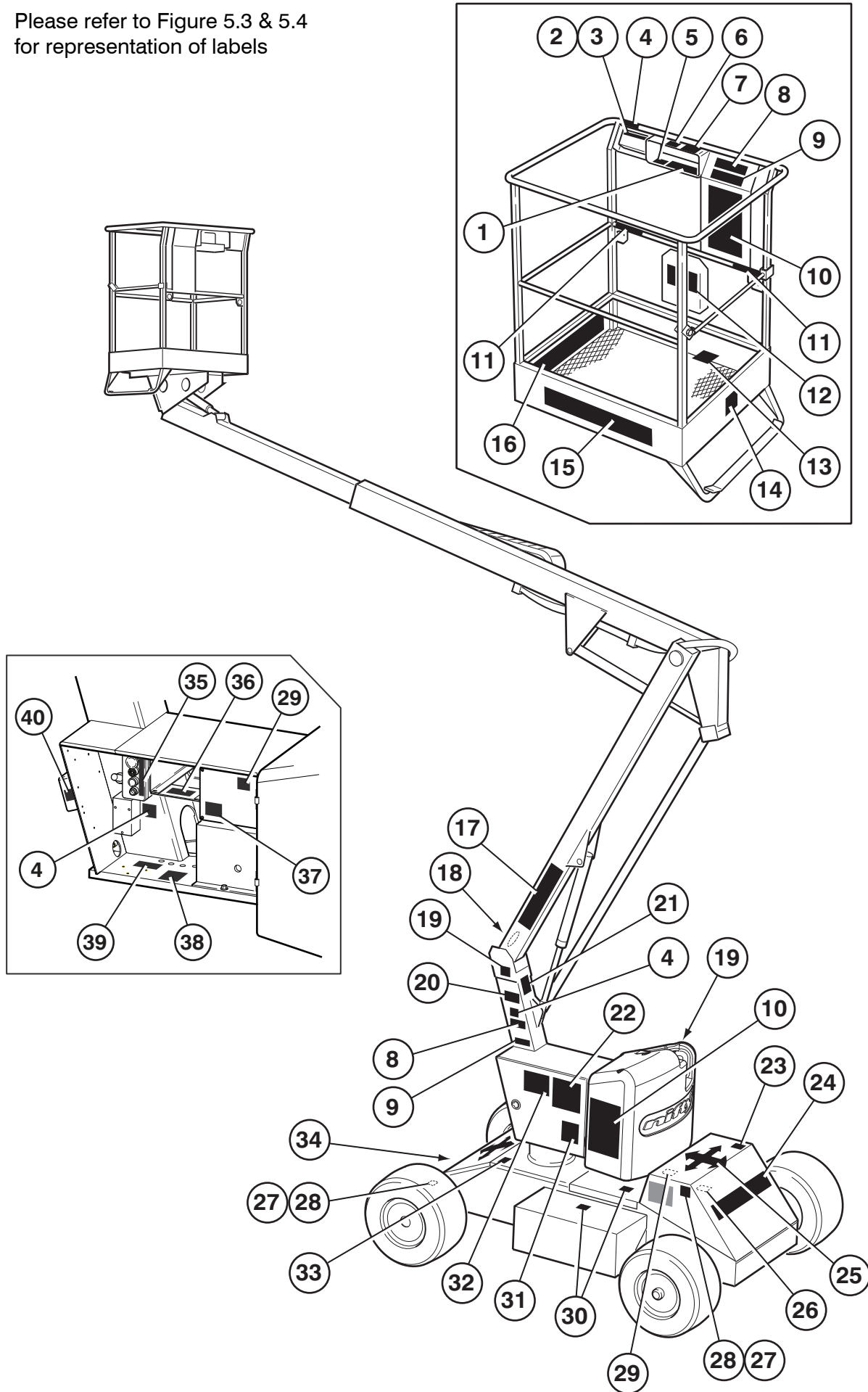
39	Booms/Brakes selector	P19446
	french	P16666
	german	P16667
	spanish	P16668
	dutch	P16399
	swedish	P19446

40	Charger socket	P19699
	french	P19699
	german	P19699
	spanish	P19699
	dutch	P19699
	swedish	P19699

french
german
spanish

labelling

Please refer to Figure 5.3 & 5.4 for representation of labels



french
german
spanish

labelling



5-17

Figure 5.1 Label locations HR10/12

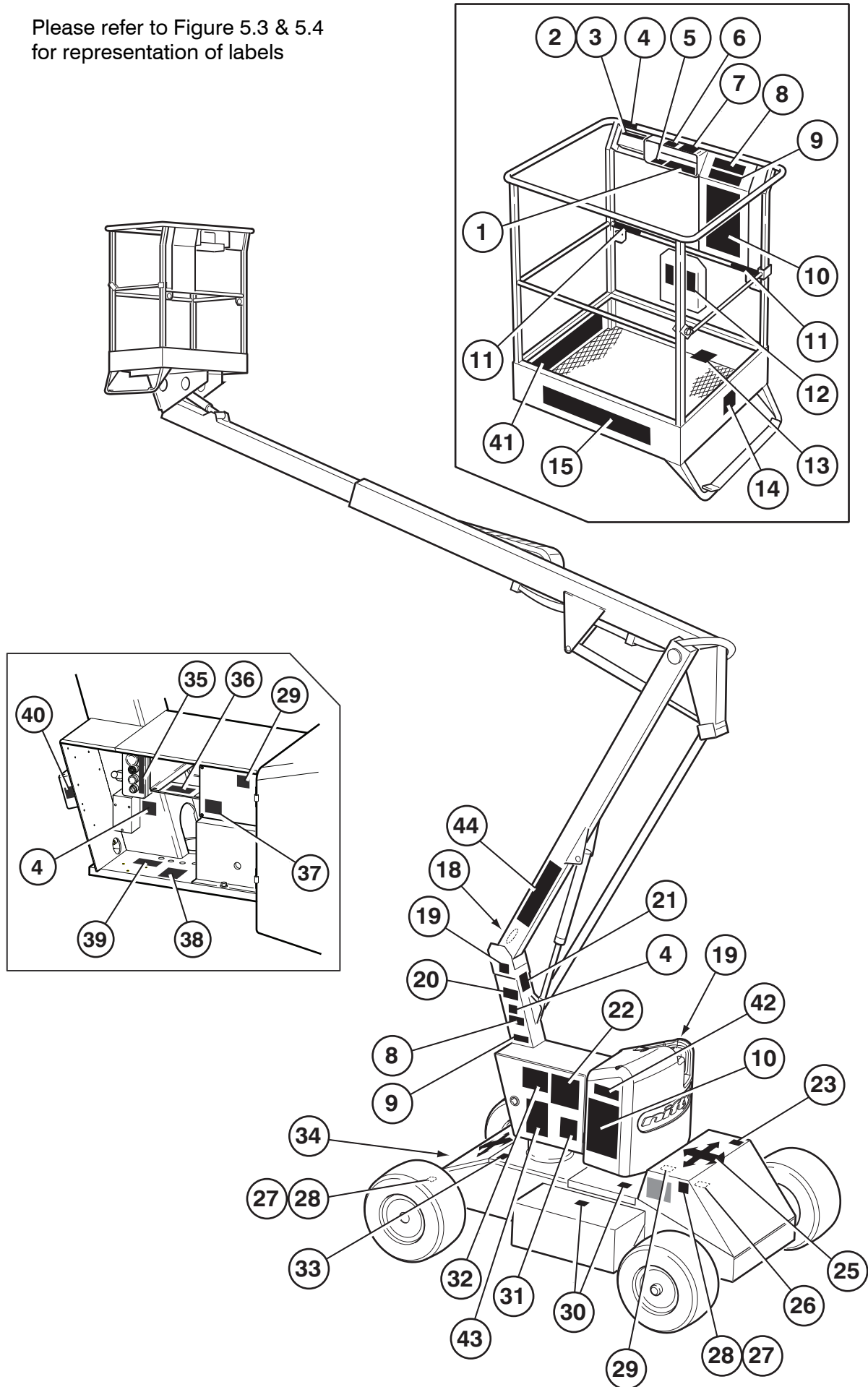
5.2 Label locations SP26/34 (USA)

Item	Description	Part Number
1	Cage - Hydraulic control levers - SP34	P14939
2	Cage control box	P12832
3	Cage overload symbol	P17214
4	E-Stop - Do not disable	P14864
5	Cage levelling	P10853
6	Cage gate warning	P18432
7	Battery management	P11777
8	Tilt alarm	P14868
10	General warning	P21970
11	Harness point	P14883
12	Operating instructions	P14892
13	Footswitch	P14884
14	Cage tie-down warning	P21404
15	niftylift.com	P14390
18	Head protection	P14921
19	Crush hazard	P14783
20	Foam filled tyres	P14932
21	Identification plate (Blank)	P15383
22	General Notice	P18870
23	Noise warning	P17124
25	Travel direction	P14784
26	Diesel fuel	P14414
27	Point load (SP26 D/E/DE) - 13.6 kN (SP26 NDE) - 13.9 kN	P20606 P14969
28	Point load (SP34 E/DE) - 16.7 kN (SP34 NE/NDE) - 19.2 kN	P20607 P20608
29	Trip switch	P19056
30	No step	P14785
31	Battery charging	P14904
32	Daily safety check list	P14908
33	Battery isolator	P18610
34	Drive wheel lock	P19444
35	Base control	P21131
36	Base - Hydraulic control levers	P14937
37	Base/Cage selector valve	P19445
38	Manual handpump	P19716
39	Booms/Brakes selector	P19446
40	Charger socket	P19699
41	Platform capacity - 500lbs	P17328
42	Rotating machinery	P15010
43	Working envelope	P20830
44	Logo - SP26 SP34	P14615 P14616

french
german
spanish

labelling

Please refer to Figure 5.3 & 5.4 for representation of labels



french
german
spanish

labelling



Figure 5.2 Label locations SP26/34 (USA)

1

2

3

4

⚠ DANGER

Death or serious injury may result if emergency stop switch is disabled, blocked or inoperable.

6

7

NOTICE

BATTERY MANAGEMENT SYSTEM - D.C. OPERATION

As batteries approach full charge, the machine will start to signal this point by intermittent stopping and starting of the D.C. motors. Machine movement becomes erratic, and the alarm will sound as the motor stops and starts. These functions serve to warn the operator that IMMEDIATE charging is required. Continued operation will cause over-discharge of the batteries, and may damage the motor contactors, motors or the batteries themselves.

8

⚠ DANGER

If tilt alarm sounds descend immediately and re-level machine base.

9

⚠ DANGER

If overload alarm activates, ALL FUNCTIONS WILL REMOVE EXCESS LOAD IMMEDIATELY IN A SAFE MANNER TO RESTORE FUNCTION.

11

12

13

⚠ DANGER

Death or serious injury may result if footswitch is disabled, blocked or inoperable.

10

⚠ DANGER

READ THIS BEFORE OPERATING THIS MACHINE

THIS NOTICE DOES NOT REPLACE THE OPERATING MANUAL WHICH SHOULD BE READ BEFORE OPERATING THIS MACHINE FOR THE FIRST TIME.

YOU MUST NOT OPERATE THIS MACHINE unless you have been trained in the safe operation of this machine. This notice includes complete knowledge of the safety and operating instructions contained in the manufacturer's manual, your employer's work rules and applicable governmental regulations. Before the machine is used to perform its intended function, the operator must read and understand the safety instructions in the operating manual and on the label under this notice. The machine must be inspected / serviced on the following conditions:

- ELECTRICATION HAZARD** THIS MACHINE IS NOT INSULATED
 - Do not touch any electrical components or wiring.
 - Do not touch any electrical components or wiring while the machine is powered on.
 - Do not touch any electrical components or wiring while the machine is powered on.
 - Do not touch any electrical components or wiring while the machine is powered on.
- EXPLOSION HAZARD**
 - Do not start the lift if you can see or smell gas. Do not use the lift in an area where there is a risk of explosion.
 - Do not use the lift in an area where there is a risk of explosion.
 - Do not use the lift in an area where there is a risk of explosion.
- HAZARDOUS SUBSTANCES AND ENVIRONMENTS**
 - This machine contains several hazardous substances such as: Battery acid, Hydraulic Fluid, Engine Oil, Grease, Antifreeze, PVC, Steel and Lead. Do not use the lift in an area where there is a risk of explosion.
 - Do not use the lift in an area where there is a risk of explosion.
 - Do not use the lift in an area where there is a risk of explosion.
- RESTRAINT HAZARD**
 - Do not use the lift in an area where there is a risk of explosion.
 - Do not use the lift in an area where there is a risk of explosion.
 - Do not use the lift in an area where there is a risk of explosion.
- DAMAGE OR MALFUNCTIONING MACHINE HAZARD**
 - Do not use the lift in an area where there is a risk of explosion.
 - Do not use the lift in an area where there is a risk of explosion.
 - Do not use the lift in an area where there is a risk of explosion.
- PLATFORM OVERLOAD WARNING**
 - Do not use the lift in an area where there is a risk of explosion.
 - Do not use the lift in an area where there is a risk of explosion.
 - Do not use the lift in an area where there is a risk of explosion.

14

16

WARNING / AVERTISSEMENT / WARNINWES / ADVERTENCIA / AVERTENZA / WAARSCHUWING

200KG (440lbs) MAX

12.5 m/s (28mph) MAX

400N (90lbs) MAX

18

19

⚠ DANGER

REPAIR PERSONNEL MUST WEAR EYE PROTECTION.

20

WARNING

THIS MACHINE MUST HAVE FOAM FILLED TYRES

21

22

NOTICE

READ THIS BEFORE OPERATING THIS MACHINE

THIS NOTICE DOES NOT REPLACE THE OPERATING MANUAL WHICH SHOULD BE READ BEFORE OPERATING THIS MACHINE FOR THE FIRST TIME.

BEFORE USE

Refer to the operating manual located in the platform and perform the daily maintenance / check routine as required. Read all labels on the machine.

ACTIVATING THE MACHINE

- Ensure that all emergency stops are out.
- Turn the key switch at the ground control station to activate the platform or base controls.
- HR12 Only: Ensure that the hydraulic indicator valve is in the correct position for the chosen control station.
- To start the engine, turn the engine selector to the "Start" position, the engine will fire.
- To use battery power (if applicable), turn the platform selector to the "Battery" (C.S.) position.
- HR12 Only: Push and hold the "Start" button (HR12) to turn the engine selector to "Start" position. Do not exceed 10 seconds (see applicable) then turn the selector to the "Start" position and the engine will fire.

EMERGENCY STOP

Pushing in an emergency stop will stop all functions and turn the engine off.

EMERGENCY HANDUP

In the event that the controls fail or the operator becomes incapacitated the booms can be operated by using the hand pump which is located under the cover.

LOW BATTERY WARNING (battery model)

If the alarm sounds and operation becomes intermittent, the batteries need charging. Switch to engine power or charge the machine immediately.

AFTER USE

- Return the machine to the stored position.
- Turn the main key switch to the "OFF" position.
- Remove all keys. Check wheels.

26

27

28

29

30

25

31

CAUTION

MACHINE DAMAGE RISK

To avoid damage to charger disconnect from mains before using machine.

A. Red light means batteries are charging.
B. Pulsing green light means the charge is equalising.
C. Constant green light means batteries are fully charged.

- Read and comply with all safety instructions in the operating manual.
- Before use inspect for any signs of wear or damage.
- Connect to 3-wire grounded A.C. outlet. Use 3-wire grounded extension cord. For additional safety use a trip switch device on the extension cord.
- After connection check charger L.E.D. display to ensure correct operation.

32

WARNING

DAILY SAFETY CHECK LIST

NEVER OPERATE A FAULTY MACHINE AS THIS MAY RESULT IN SERIOUS INJURY OR DEATH

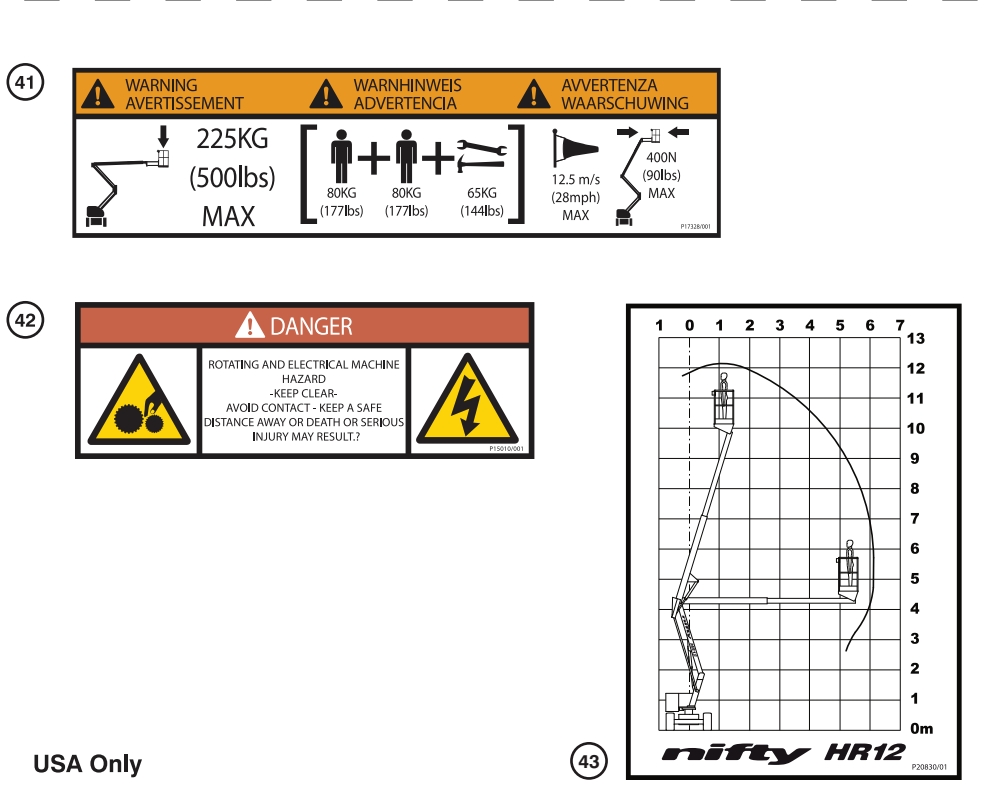
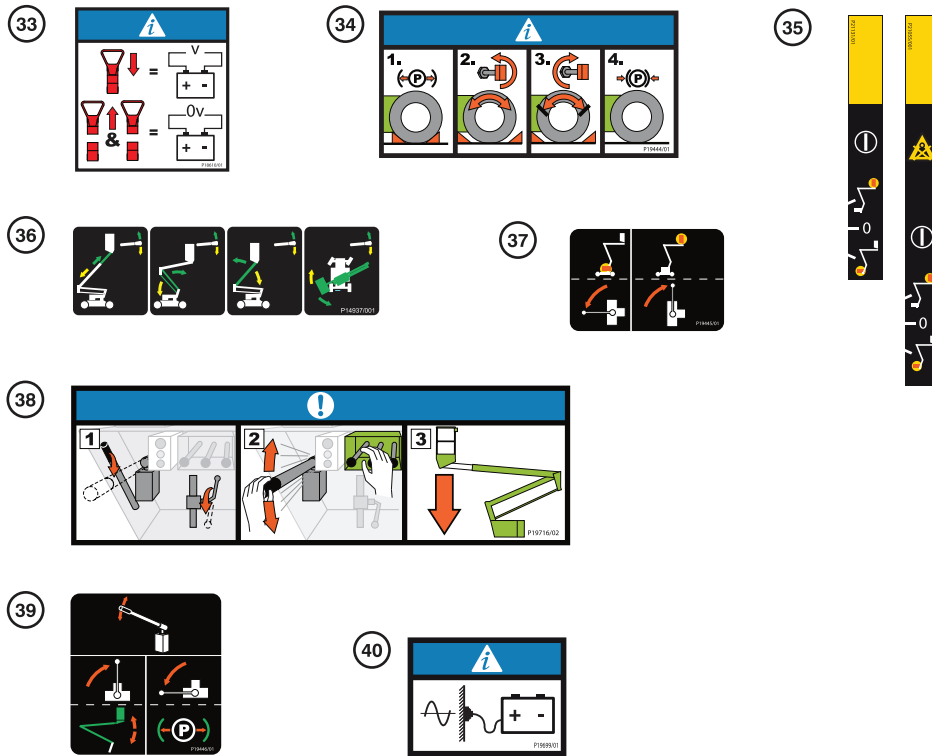
- Labels & Manuals: Check all labels, placards and Operating & Safety manual (located in the box within the platform) are in place and legible.
- Structure: Check there are no loose, missing, damaged or malfunctioning components including but not limited to: chassis, booms, platform, platform gate (free to close under gravity), all welds, guards, covers, boom clamps, brakes, wheels, tyres and outriggers / stabilisers (if applicable). Ensure that platform is free from debris, grease or oil that could cause slipping or tripping hazards.
- Warnings / Switches: Check there are no loose, missing, damaged or malfunctioning components including but not limited to: platform load sensor, lift sensor and / or alarm horn, foot pedal, high engine and / or high drive limit switches, micro switches, lights and beacons.
- Controls: Check all operating, emergency and manual descent controls function correctly - select an area free from obstructions and hazards and exercise extreme caution.
- Hoses & Wiring: Check there is no damage to or leaks from hydraulic, fuel and air systems, electrical cables and wiring.
- Power Systems: Check batteries, engine oil and coolant (if applicable) for condition, cleanliness, connections and correct fluid levels.
- Personal Protective Equipment: Check that all full body safety harnesses, short lanyards, and hand hats are in good condition and fit for purpose.
- More Information: Refer to Operating & Safety manual for further periodic checks & inspections.

french
german
spanish

labelling

5-20

Figure 5.3 Labels (1-32)



french
german
spanish

labelling

